

Chlorine and Bromine Feeders

REPLACEMENT PARTS



CL100 and CL110 Series Chlorine Feeders

Part No.	Description	Ctn. Qty.	List Price
CLX110C	Cover*	1	\$15.45
CLX110K	O-Ring, Special Composition Viton®	10	19.93
CLX110DA	Dial Control Valve Assembly	1	16.87
CLX110B	Mounting Base	1	11.08
CLX110FA	Control Knob Assembly (CL100)	1	12.97

NOTE: Fittings, tubing, clamps, drain plug and checkX valve are same as CL200 and CL220 Series.

*For Bromine Feeder Cover, add "-2" to Part No.

CL200 and CL220 Series Chlorine Feeders

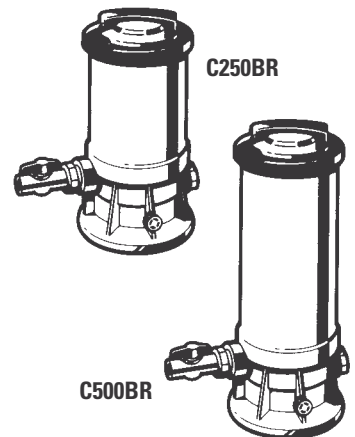
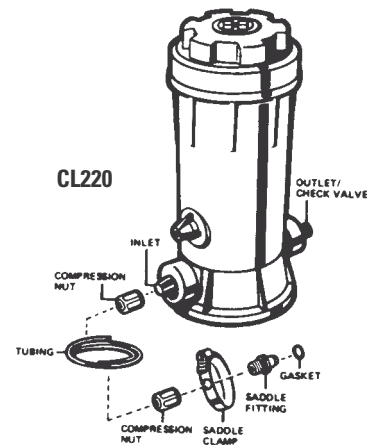
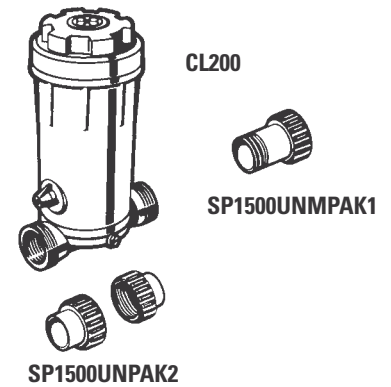
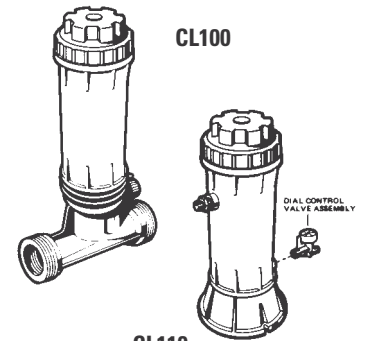
Part No.	Description	Ctn. Qty.	List Price
CLX200EGA	Cover Retaining Screw w/Slip Washers and Center Cap	10	\$8.10
CLX200C	Cover Cap*	5	18.00
CLX200CA	Cover and Cap Assembly, includes O-Ring	5	61.85
CLX200B	Cover*	5	14.68
CLX200K	O-Ring, Special Composition Viton	10	22.17
CLX200H	Feeder Tube	10	4.50
CLX200PA	Control Knob Assembly w/O-Rings (Viton) – large (1989)	10	13.82
SPX1700FGV	Drain Plug w/Gasket	10	4.11
CLX220B	Base (CL220)	5	12.92
CLX200BS	Base (CL200)	5	14.21
CLX220EA	Check Valve and Inlet Fitting Adapter Assembly	5	11.23
CLX220G	Saddle Fitting	10	2.59
CLX220GA	Saddle Fitting, Nut, Gasket, Saddle Clamp and 4 ft. Tubing	5	16.38
CLX220K	Saddle Clamp	10	6.21
CLX220J	8 ft. Length Chlorinator Tubing	5	10.32
CLX220H	Compression Nut	10	1.90
CLX220P	1/4" Adapter Fitting	10	1.90
SPX1091Z7TC	Combo Adapter w/1/4" Tap	10	5.09
SPX1105Z4TC	Elbow Adapter w/1/4" Tap	10	6.57
SPX1480BTC	Union End w/1/4" Tap	10	12.56
SP1500UNPAK2	Female Union End Connector Pak – Includes: 2 each Socket Connector, Union Nut, O-Ring	50	—
SP1500UNMPAK1	Male Union End Connector Pak – Includes: 1 each 1 1/2" MPT Nipple Connector, Union Nut, O-Ring	50	—

*For Bromine Feeder, add "-2" to Part No.

C250CF, 500CF, 1100CF, 1800CF Chemical Feeders (see note)

Part No.	Description	Ctn. Qty.	List Price
SPX3100D	Cover	5	\$42.06
SP3100T	Cover Removal Tool	1	13.72
SPX3000SV	Cover O-Ring, Special Composition Viton	5	33.83
CX500J	Strainer	5	10.12
CX250Z14	1/2" Drain Plug	10	2.59
SPX0605Z2V	Drain Plug O-Ring, Special Composition Viton	10	5.13
CX500BV	3/4" Control Valve w/Dial Indicator (C250BR, 500BR)	5	37.09
CX500CV	3/4" Check Valve (C250BR, 500BR)	5	29.38
CX500P	Handle for Control Valve	5	5.10
CX1100BV	1 1/2" Control Valve w/Dial Indicator	5	66.81
CX1100CV	1 1/2" Check Valve	5	61.32
CX1100P	Handle for Control Valve	5	7.55

NOTE: Formerly "BR" (Bromine) and "BRC" (Chlorine) feeders.

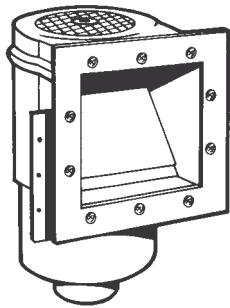


White Goods

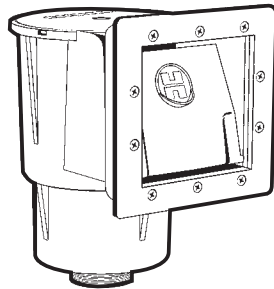


Automatic Skimmers

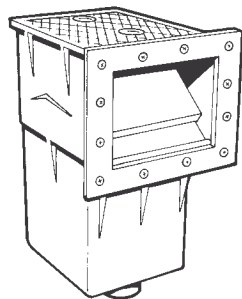
REPLACEMENT PARTS



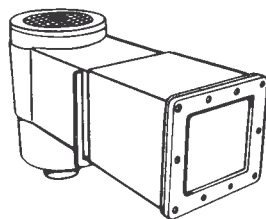
**SP1090
SP1092**



SP1091LX



SP1089



SP1097

Cat. Nos. SP1090, SP1090WM, 1092

Part No.	Description	Ctn. Qty.	List Price
SPX1096CA	Basket, 5 1/8" O.D. x 3"	10	\$7.62
SPX1096B	Cover	10	10.59
SPX1096A2	Basket Support Ring	10	4.53
SPX1096K	Weir	10	13.98
SPX1090D	Face Plate	10	13.71
SPX1094G	Gasket	10	3.80
SPX1090F	Spacer	10	Discont'd
SPX1090GA	Throttle Plate w/Screw	10	7.38
SPX1090Z1A	Face Plate Screw Set	10	9.15
SPX1030Z1C	Face Plate Screw Set – 1 1/4" long	25	8.75
SPX1090AA	Body w/Basket Ring	1	83.03
SPX1092AA	Body w/Basket Ring and Access Plug	1	66.75
SPX1092C	Access Plug	10	5.85

Wide Mouth Skimmer Parts – No. SP1090WM:

SPX1090WMCV	Cover	10	\$13.15
SPX1090WMSB	Skimmer Basket	10	9.44
SPX1090WMW	Weir	10	17.40
SPX1090WMVA	Vacuum Adapter	10	14.13
SPX1090WMFP	Face Plate	20	17.16
SPX1090WMSG	Sealing Gasket (Set of 2)	50	17.58

Turbo Skimmer Parts – No. SP1090T, 1091T:

SPX0703GA	Turbo Boost Valve	1	\$11.23
-----------	-------------------	---	---------

Cat. Nos. SP1091LX, SP1091WM

Part No.	Description	Ctn. Qty.	List Price
SPX1091B	Skimmer Cover	10	\$10.59
SPX1091C	Basket w/handle	12	7.58
SPX1091K1	Weir	10	13.98
SPX1091D	Face Plate Standard	10	13.63
SPX1091E	Widemouth Extension	1	19.22
SPX1091F	Face Plate Widemouth	10	15.61
SPX1091G	Gasket STD, Butterfly	5	6.73
SPX1091GW	Gasket Widemouth, Butterfly	5	12.42
SPX1090Z6A	Standard Screw Set	10	9.15
SPX1090Z7A	Widemouth Screw Set	10	17.45

Cat. Nos. SP1094, 1094SPA, 1094H, 10950M

Part No.	Description	Ctn. Qty.	List Price
SPX1094FA	Basket - 4 3/4" O.D. x 3"	10	\$7.58
SPX1094C	Cover	10	11.61
SPX1094K	Weir	10	13.98
SPX1094B	Face Plate	10	12.56
SPX1094B1	Face Plate w/Return Lip (SPA)	5	13.07
SPX1094G	Gasket (SPX1090E for SP10940M)	10	3.80
SPX1030Z1C	Face Plate Screw Set – 1 1/4" (SP1094SPA)	10	8.75
SPX1094R	Face Plate Cover – Snap-On	10	9.80
SPX1090Z1A	Face Plate Screw Set	10	9.15

Automatic Skimmers

REPLACEMENT PARTS (continued)



Cat. No. SP1089

Part No.	Description	Ctn. Qty.	List Price
SPX1088B	Cover	10	\$18.87
SPX1088GA	Basket Assembly	10	20.47
SPX1089K	Weir	10	19.75
SPX1084L	Face Plate	5	8.86
SPX1084B	Gasket	10	4.64
SPX1084Z4A	Face Plate Screw Set	10	10.32

Cat. Nos. SP1096, 1097, 1098

Part No.	Description	Ctn. Qty.	List Price
SPX1096B	Cover	10	\$10.59
SPX1096AX	Adjusting Collar	10	11.83
SPX1096CA	Basket, 5 1/8" O.D. x 3"	10	7.62
SPX1096A2	Basket Support Ring	10	4.53
SPX1096K	Weir	10	13.98
SPX1097D	Face Plate (SP1097, 1098)	10	15.61
SPX0097E	Gasket (SP1097, 1098)	10	4.50
SPX1090Z1A	Face Plate Screw Set	10	9.15

Cat. Nos. SP1082, 1083, 1084, 1085, 1086

Part No.	Description	Ctn. Qty.	List Price
SPX1082E*	Cover, Square	10	\$12.56
SPX1082Z1	Cover Screw (Square Cover)	10	1.12
SPX1082F	Adjusting Collar	4	21.11
SPX1084R	Cover, Round	10	22.65
SPX1084Z9	Cover Screw (Round Cover)	10	2.03
SPX1084P	Adjusting Collar	10	14.19
SPX1082CA	Basket w/handle, 6 1/2" O.D. x 5"	18	8.64
SPX1082N2	Handle for SPX1082CA Basket	10	2.03
SPX1082D	Basket Support Ring	10	4.53
SPX1082K	Weir	10	13.98
SPX1082H1A	Slide Plate w/Screw	10	4.98
SPX0102Z210	Fiber Washer Retainer – for cover screw (10 pieces)	10	4.18
SPX1082Z3	Vacuum Hose Adapter	10	5.44
SPX1053Z1	2" Pipe Plug	10	2.59
SPX1082Z2	2" x 1 1/2" Reducing Bushing	5	7.88
SPX1084L	Face Plate (SP1084)	20	8.86
SPX1085B	Face Plate (SP1085)	10	17.81
SPX1084B	Gasket (SP1084)	10	4.64
SPX1085D	Gasket (SP1085)	10	8.43
SPX1084C	Spacer (SP1084)	10	10.43
SPX1084Z1A	Face Plate Screw Set (SP1084)	10	11.50
SPX1084Z4A	Face Plate Screw Set (Self-Tapping) (SP1084)	10	10.32
SPX1084Z4AM	Face Plate Screw Set – 1 1/4" long (Self-Tapping)	10	10.70
SPX1085Z1A	Face Plate Screw Set (Self-Tapping) (SP1085)	10	14.68
SPX1085Z1AM	Face Plate Screw Set – 1 1/4" long (Self-Tapping)	10	16.80
SPX1084B3	Gasket – SP1084OM	10	5.09
SPX1085D2	Gasket – SP1085OM	10	9.49

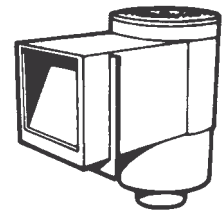
*Add suffix GR for gray and BLK for black.

Flo-Selector System Parts – Skimmer Nos. SP1083, 1086:

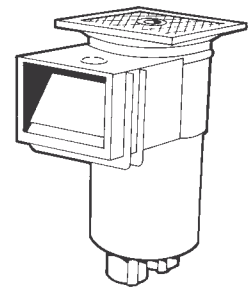
SPX1080EA	Basket w/Sleeve	5	\$15.75
SPX1080AA	Flo-Selector Control w/Valve	5	33.25
SPX1080D	Skimmer Throttling Plate	10	7.99

Turbo Skimmer Parts – Skimmer Nos. SP1082T, 1084T Series:

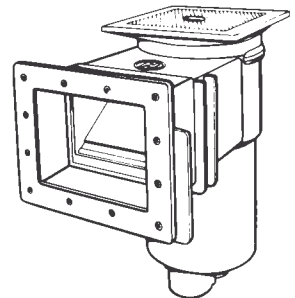
SPX1084KA	Turbo Boost Valve Assembly	1	\$19.87
-----------	----------------------------	---	---------



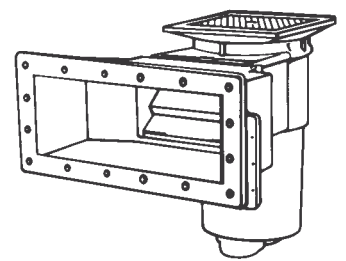
SP1096



SP1082



SP1084

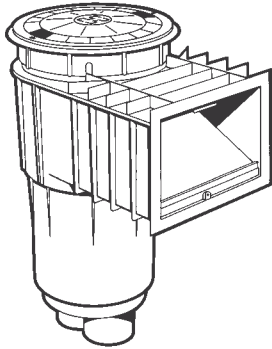


SP10851

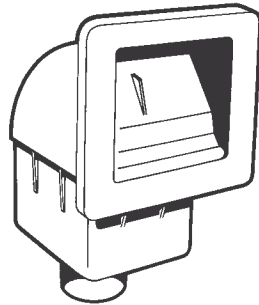


Automatic Skimmers

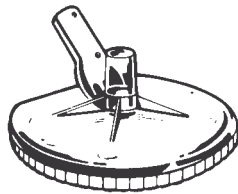
REPLACEMENT PARTS (continued)



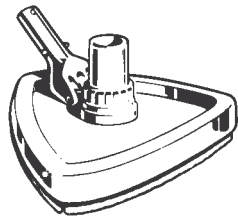
SP1071



SP1099S



SP1067



SP1068 SP1069
SP1068DL SP1069DL

Cat. Nos. SP1075, 1075T, 1076, 1077

Part No.	Description	Ctn. Qty.	List Price
SPX1075C1	Cover, White	10	\$17.69
SPX1084Z9	Cover Screw	10	2.03
SPX1075B	Adjusting Collar	10	11.69
SPX1082K	Weir	10	13.98
SPX1082CA	Basket – 6 1/2" O.D. x 5"	18	8.64
SPX1075E	Basket Support Ring	5	4.78
SPX1075F	Flo-Control Slide Plate w/Screw	10	7.83
SPX1075L	Multi-Flo Valve Control (SP1075T)	1	18.90
SPX1084L	Face Plate (SP1076)	20	8.86
SPX1085B	Face Plate (SP1077)	10	17.81
SPX1084B	Gasket (SP1076)	10	4.64
SPX1085D	Gasket (SP1077)	10	8.43
SPX1084Z4A	Face Plate Screw Set (Self-Tapping) (SP1076)	10	10.32
SPX1084Z4AM	Face Plate Screw Set – 1 1/4" long (Self-Tapping)	10	10.70
SPX1085Z1A	Face Plate Screw Set (Self-Tapping) (SP1077)	10	14.68
SPX1085Z1AM	Face Plate Screw Set – 1 1/4" long (Self-Tapping)	10	16.80

Cat. No. SP1070, SP1071 Series Skim-Master

SPX1070Z3	Cover Retaining Screw	25	\$1.19
SPX1070C	Cover, White	10	17.40
SPX1070C10	Cover, Tan	10	18.92
SPX1070B	Adjusting Collar, White	10	12.65
SPX1070B10	Adjusting Collar, Tan	5	12.65
SPX1070E2	Basket Handle	10	5.43
ECX1019	Adjusting Collar Screw	25	1.38
SPX1070KHR	Weir Assembly w/Bumper Pad (for 1070 Series)	10	18.19
SPX1071K	Weir Assembly w/Bumper Pad (for 1071 Series)	10	19.65
SPX1070E	Basket – 8 1/4" O.D. x 5 1/4"	12	9.54
SPX1082H1B	Flo-Control Slide Plate w/Screw	10	4.78
SP1070FV	Float Valve Assembly	24	—
SPX1070FA	Flo-Control Trimmer Plate w/Screw	10	3.81

Cat. No. SP1099S Spa Skimmer

SPX1099B	Basket	10	\$12.77
SPX1099K	Weir	10	16.51
SPX1099C	Cover Plate, ABS	50	9.49
SPX1099E	Gasket	10	4.78
SPX1099FG	Air Relief Valve Kit	5	7.25

VACUUM CLEANER HEADS

Cat. No. SP1067 (Dural) / SP1067R (Rubber) Power-Vacs

Part Number	Description	Ctn. Qty.	List Price
SPX1067C	Brush Set	10	\$23.82
SPX1067QA	Quik-Snap Handle Connector w/Spring	25	12.68
SPX0068Z1A	Bracket Bolt w/Nut	10	3.67

Cat. No. SP1068 / SP1068DL / 1069 / 1069DL Super-Vacs

SPX1068G3	Brush (Set of 3) – for SP1068	5	\$24.59
SPX1069B3	Brush (Set of 3) – for SP1069	5	27.36
SPX1068C	Knurled Locknut	10	4.50
SPX1068DE	Swivel Hose Connector Set, 1 1/4" and 1 1/2"	5	7.13
SP1068FA	Weight Pak (Set of 3)	25	—
SPX0068Z1A	Bracket Bolt w/Nut	10	3.67
SPX1067QA	Quik-Snap Handle Connector w/Spring	25	12.68
SPX1067S	Snap-Spring only	25	2.08
SPX1068A	Upper Body	10	37.68

Suction Outlets

Part Number	Description	Ctn. Qty.	List Price
WGX1153B	Adjusting Collar – for 1153AV, 1154AV Series	10	\$11.06
SPX1411Z5A	Grate Securing Screw (<i>Set of 2</i>) – replaces SPX1425Z32 for SP1048C	10	4.31
SPX1058C*	Frame, 7 3/4" O.D. (SP1058, 1059, SP1030)	5	12.92
SPX1058D	Gasket (SP1058, 9)	10	8.43
WGX1048B [†]	Vinyl Ring, 7 7/8" O.D. (SP1048, 1049)	10	9.26
SPX1048D	Gasket (SP1048, 1049)	10	4.24
SPX1039Z18	Vinyl Ring (<i>Set of 8</i>) (SP1048, 1049)	10	6.75
WGX1048E ^{†1}	Cover, Dome Type (All Suction Outlets) – White	10	12.92
SPX1030Z1A	Screw for use with SPX1048E only (<i>Set of 2</i>) – SP1030, 1051, 1154	10	2.48
WGX1030Z1A	Screw for use with WGX1048E only and sumps/frames without metal inserts (<i>Set of 2</i>) – SP1030, 1051, 1154	10	2.39
WGX1030Z1AM	Screw for use with WGX1048E only and sumps/frames with metal inserts (<i>Set of 2</i>) – WG1030, 1051, 1154	10	2.93
SPX1030Z2A	Screw for use with SPX1048E only (<i>Set of 2</i>) – SP1048, 1049	10	2.48
WGX1030Z2A	Screw for use with WGX1048E only and sumps/frames without metal inserts (<i>Set of 2</i>) – SP1048, 1049	10	2.39
WGX1030Z2AM	Screw for use with WGX1048E only and sumps/frames with metal inserts (<i>Set of 2</i>) – WG1048, 1049	10	2.93
SPX1051Z1	1 1/2" Plastic Pipe Plug	10	3.39
SPX1053Z1	2" Plastic Pipe Plug	10	2.59
SPX1035B	Gasket (SP1035AV)	10	3.08

*Prefix SPX will be replaced by WGX 4th Qtr. 2008.

[†]Add suffix GR for gray and BLK for black.

¹Includes 4 Screw Sets (for sumps/frames with or without metal inserts).



WG1051AV



WG1153AV

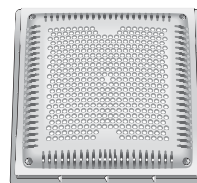


WG1030AV

Square Frames and Grates

Part Number	Description	Ctn. Qty.	List Price
WGX1031B	9" Square Grate (use 4 for SP1033; 1976-)**	4	\$51.13
SPX1032A*	12" Square Frame	1	74.01
WGX1032B	12" Square Grate	4	69.76
SPX1033A*	18" Square Frame	1	144.63
WGX1030Z3	Plate Screw for nonmetal inserts	25	3.32

*Prefix SPX will be replaced by WGX 4th Qtr. 2008.



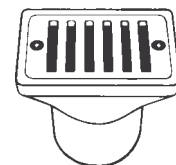
WG1032

Gutter Drains

Part Number	Description	Ctn. Qty.	List Price
SP1019BA	Grate, w/Screws (SP1019)	100	\$—

Vacuum Release System – VR1000

Part Number	Description	Ctn. Qty.	List Price
VRX100E	Solenoid Valve	12	\$187.92
VRX100PAK	Tube Replacement Kit	5	37.35
VRX100H	Electrical Fuses (pack of 10)	5	50.48
VRX100F	Vent Filter	5	28.12
VRX100KIT2	Saddle Clamp Kit	105	20.07
CLX220J25	5/16" Tube x 25'	5	69.92
VRXPCBA	Circuit Board	1	1,106.27

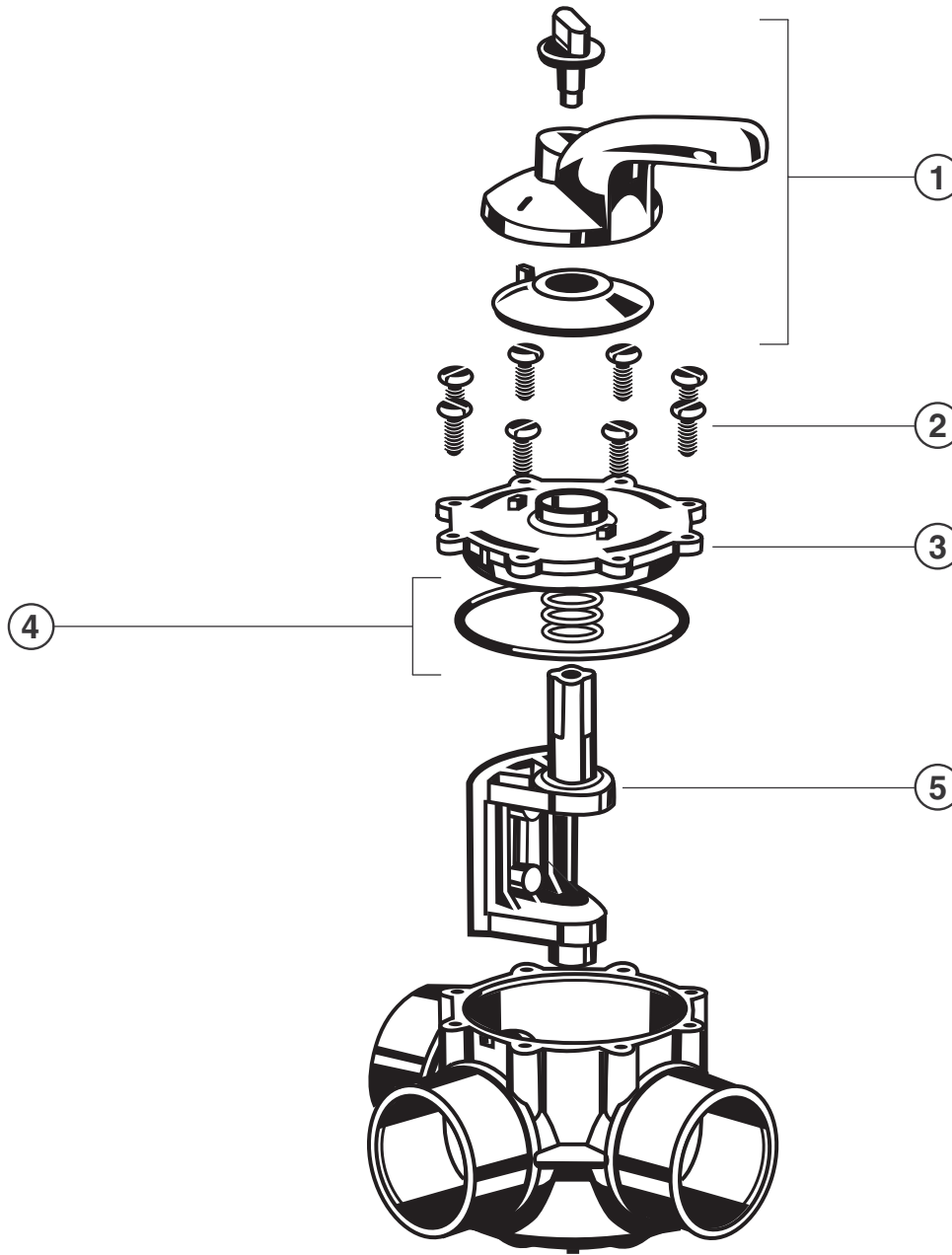


SP1019



PSV Series Valves

REPLACEMENT PARTS



Parts Listing

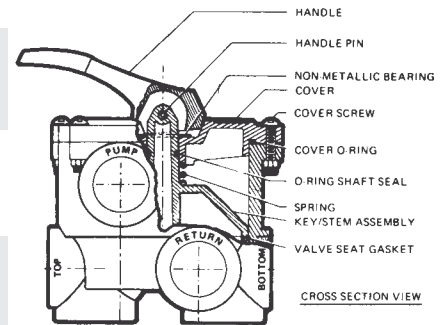
Ref. No.	Part No.	Description	Ctn Qty.	No. Req'd	List Price
1	PSXVCA	Handle/Index Kit	1	1	\$8.12
2	PSXVZ1A	Screw Set (8 pcs.)	1	1	4.31
3	PSXVB	Cover	1	1	10.64
4	PSXVZ2A	Key and Cover O-Ring Kit	1	1	4.16
5	PSXVDE	Valve Key Assembly	1	1	22.87
—	PSXVBCA	Upper Valve Kit (includes #'s 1-5)	1	1	53.72

Cat. Nos. SP0710, 0710X, 0711, 0712, 1 1/2" Vari-Flo Valves (1976-)

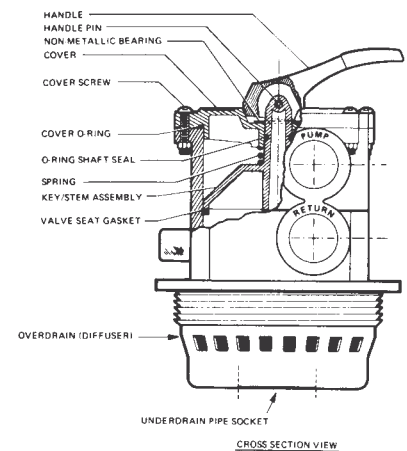
Part No.	Description	Ctn. Qty.	List Price
SPX0710XF	Handle	10	\$10.07
SPX0710XZ7	Handle Pin	25	3.96
SPX0710Z16	Non-Metallic Bearing	25	2.44
SPX0710XZ3	Cover O-Ring	10	6.86
SPX0735GA	O-Ring/Teflon Shaft Seal	10	4.24
SPX0710Z1A	Cover Screw w/Nut (Set of 6 each)	10	11.90
SPX0603S	Spring	5	8.89
SPX0710Z62	Spring Washers (Set of 2)	25	3.81
SPX0710K	1/4" Plastic Pipe Plug	25	1.84
SPX0710XD	Valve Seat Gasket, 5 Spoke – for "X" Valve Body	10	11.74
SPX0710XC	Key/Stem Assembly	10	27.76
SPX0710XBA	Key, Cover and Handle Assembly – White	5	70.75
SPX0710XBA17	Key, Cover and Handle Assembly – Black	5	70.75
SPX0710MA	Threaded Sight Glass w/Gasket	10	5.21
SX200Z9	Gasket for Threaded Sight Glass	25	1.09
SPX0710XALLAA	Valve Body w/Gasket and Sight Glass – Style "ALL"	1	91.78
SPX0710XA3A	Valve Body w/Gasket and Sight Glass – Style 3	1	94.41
SPX0710X32AA	Valve Body w/Gasket and Sight Glass – w/Filter		
	Tank Pipes and Locknuts – for S200, S240 only	1	116.02
SPX0710XR50AA	Valve Body and Sight Glass – w/Filter		
	Tank Pipes and Locknuts. "Reverse" style – for		
	DE Series only	1	129.00
SPX0710X62AA	Valve Body w/Gasket and Sight Glass – w/Filter		
	Tank Pipes and Locknuts – for Pro Series		
	(Side Mount) only	1	107.32
SPX0712AA	Top Mount <i>Threaded</i> Valve Body w/Gasket, Sight Glass and Diffuser (for Hayward Filters)	1	107.32
SPX07122AA	Top Mounted <i>Threaded</i> Valve Body w/Gasket, Sight Glass and Diffuser (for Pac-Fab; 6" UNC)	1	109.18
SPX0710Z9	3M Adhesive, 5 oz. tube for Valve Seat Gasket	10	28.04
NOTE: Parts below are for SP0710 and 0711 Series (1969–1975). These parts are <i>NOT</i> interchangeable with current production models.			
SPX0710Z7	Handle Pin	10	\$3.96
SPX0710Z3	Cover O-Ring	10	6.86
SPX0603Z2A	O-Ring/Teflon Shaft Seal	1	4.64
SPX0710D	Valve Seat Gasket, 6 Spoke	10	15.84
SPX0710XBA	Key, Cover and Handle Assembly –		
	Replaces SPX0710B (cover) and SPX0710C	5	70.75

*Limited Quantity Available.

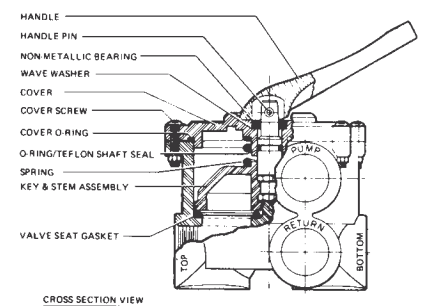
SP0710X SERIES (1977)



SP0712 SERIES



SP0710 SERIES (1969-1975)

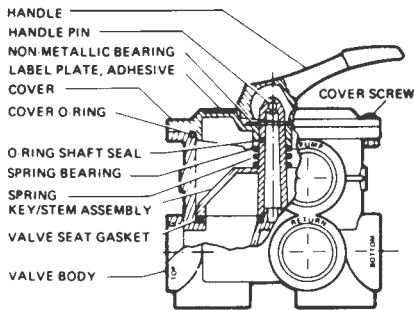




Multiport Valves

REPLACEMENT PARTS (continued)

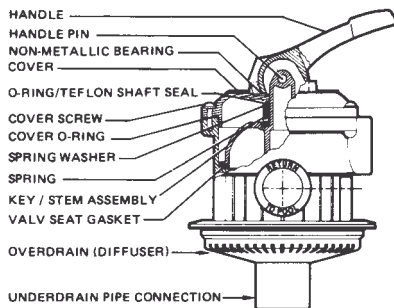
SP0715 SERIES



Cat. Nos. SP0715, 0716, 2" Vari-Flo Valves

Part No.	Description	Ctn. Qty.	List Price
SPX0710FL	Handle, Large	10	\$16.48
SPX0715F	Handle, Standard	10	13.73
SPX0710XZ7	Handle Pin	25	3.96
SPX0710Z16	Non-Metallic Bearing	25	2.44
SPX0710Z1A	Cover Screw w/Nut (Set of 6 each)	10	11.90
SPX0715Z1	Cover O-Ring	10	8.54
SPX0603S	Spring	5	8.89
SPX0710Z62	Spring Washers (Set of 2)	25	3.81
SPX0735GA	O-Ring/Teflon Shaft Seal	10	4.24
SPX0710K	1/4" Plastic Pipe Plug	25	1.84
SPX0715D	Valve Seat Gasket	10	18.46
SPX0715C	Key/Stem Assembly – Noryl	10	41.66
SPX0715BA	Key, Cover and Handle Assembly, White	1	102.93
SPX0715BA3	Key, Cover and Handle Assembly, Black	1	110.82
SPX0715ALLAA	Valve Body w/Gasket and Sight Glass – Style "ALL"	1	150.68
SPX0715XR50AA	Valve Body w/Gasket and Sight Glass – w/Filter Tank Pipes and Locknuts. "Reverse" style – for DE only	1	199.75
SPX0710MA	Threaded Sight Glass w/Gasket	10	5.21
SX200Z9	Gasket for Threaded Sight Glass	25	1.09

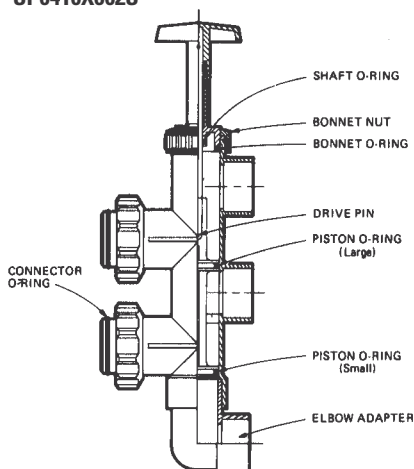
SP0704 SERIES



Cat. No. SP0704, 1 1/2" Vari-Flo Valve – 4 Position

Part No.	Description	Ctn. Qty.	List Price
SPX0710XF	Handle	10	\$10.07
SPX0710XZ7	Handle Pin	25	3.96
SPX0710Z16	Non-Metallic Bearing	25	2.44
SPX0704B2	Cover, Black	15	18.29
SPX0704F	Cover O-Ring	10	4.89
SPX0704HA	O-Ring/Teflon Shaft Seal	25	5.03
SPX0704Z1A	Cover Screw (Set of 6)	10	9.15
SPX0603S	Spring	5	8.89
SPX0710Z62	Spring Washers (Set of 2)	25	3.81
SPX0704D	Valve Key Gasket	10	12.65
SPX0704CA	Key and Gasket Assembly	10	31.73
SPX0704BA	Key, Cover, Gasket and Handle Assembly	5	74.44
SPX0704AA	Valve Body w/Diffuser	1	79.46

SP0410X602S



Cat. Nos. SP0410X Series Slide Valve

Part No.	Description	Ctn. Qty.	List Price
SPX0410BA	Handle and Piston Assembly	5	\$71.83
SPX0410BK	Piston only w/Pin	5	12.92
SPX0722D	Bonnet Nut	10	5.85
SPX0722GH	Bonnet O-Ring	10	3.93
ECX9611246	Shaft O-Ring	25	0.91
SPX0410Z2	Piston O-Ring, Large	10	7.02
SPX0410K	Drive Pin	10	2.73
SPX0410Z1	Piston O-Ring, Small	10	7.02
SX200Z4	O-Ring	25	2.44

White Goods

Multiport Valves

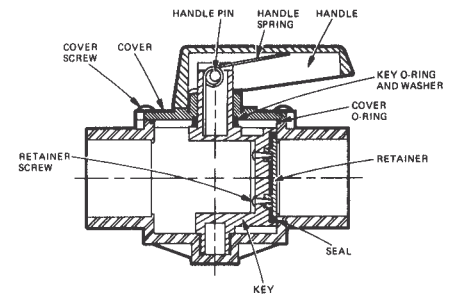
REPLACEMENT PARTS (continued)



Cat. No. SP0732, 0733 Series Dial-A-Flo Valves

Part No.	Description	Ctn. Qty.	List Price
SPX0733D	Handle	10	\$8.18
SPX0733H	Handle Pin	10	3.06
SPX0733J	Handle Spring	10	3.80
SPX0733B	Cover (SP733, 3-Way) w/Label	10	17.13
SPX0733Z3A	Cover Screw (Set of 8)	10	5.83
SPX0733Z2A	O-Ring, Cover, Washer and Spacer Set	10	10.51
SPX0733Z1A	O-Ring, Key, w/Washer (Washer Req'd. - Pre 1988)	10	6.31
SPX0733E	Seal	10	5.09
ECX1019	Retainer Screw	20	1.38
SPX0733CA	Key and Seal Assembly w/O-Ring (3-Way)	5	22.70
SPX0733BA	Key, Seal, Cover and Handle Assembly (3-Way)	5	46.23

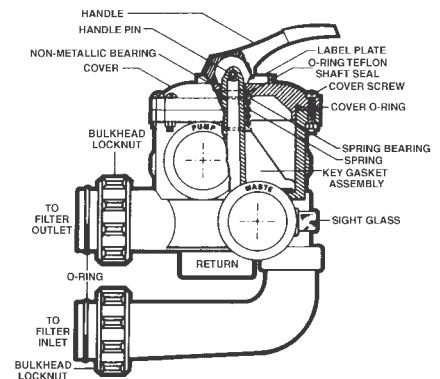
SP0733S



Cat. No. SP0727 Perflex Diverter Valve (Not Illustrated)

Part No.	Description	Ctn. Qty.	List Price
SPX0727D	Handle	10	\$8.62
SPX0733H	Handle Pin	10	3.06
SPX0727J	Handle Spring	10	3.80
SPX0727K	O-Ring, Cover	10	3.67
SPX0733Z3A	Cover Screw (Pkg. of 8)	10	5.83
SPX0727H	Seal	10	4.96
SPX0733Z1	O-Ring (Key)	10	3.35
SPX1483C	O-Ring (Union)	10	2.74
SPX0727E	Union Nut	10	10.16

SP0740DE



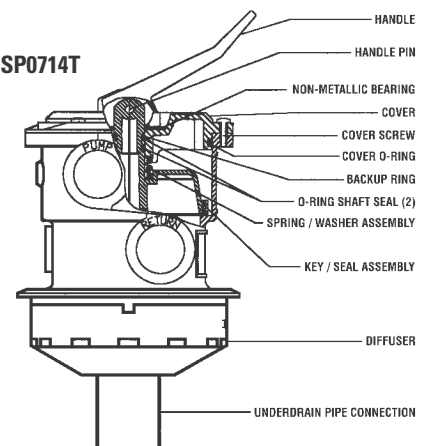
Cat. No. SP0740DE 2" Selecta-Flo™ Valve

Part No.	Description	Ctn. Qty.	List Price
SPX0710FL	Handle, Large	10	\$16.48
SPX0710XZ7	Handle Pin	10	3.96
SPX0710Z16	Non-Metallic Bearing	10	2.44
SPX0740B	Cover	10	35.24
SPX0710Z1A	Cover Screw w/Nut (Set of 6 each)	10	11.90
SPX0715Z1	Cover O-Ring	10	8.54
SPX0603S	Spring	5	8.89
SPX0704HA	O-Ring/Teflon Shaft Seal	25	5.03
SPX0710Z62	Spring Washers (Set of 2)	25	3.81
SPX0740D	Valve Seat Gasket	10	17.82
SPX0740C	Key/Stem Assembly	10	41.48
SPX0740BA	Key, Cover, Handle Assembly	10	112.52
SPX0740AA	Valve Body w/Gasket and Sight Glass – w/Tank Pipes and Locknuts	1	198.40

Cat. No. SP0714T Vari-Flo™ XL Valve

Part No.	Description	Ctn. Qty.	List Price
SPX0710XF	Handle	10	\$10.07
SPX0710XZ7	Handle Pin	10	3.96
SPX0710Z16	Non-Metallic Bearing	10	2.44
SPX0714BA	Key, Cover and Handle Assembly	5	79.63
SPX0714Z1	Cover Screw (Set of 6)	10	10.07
SPX0714L	Cover O-Ring	10	5.80
SPX0735GA*	O-Ring Shaft Seal Assembly	10	4.24
SPX0710Z62	Spring Washers (Set of 2)	25	3.81
SPX0714CA	Key/Seal Assembly	10	30.21
SPX0714D	Diffuser	1	18.46
SPX0714A	Valve Body w/Gasket and Sight Glass	1	132.04

SP0714T

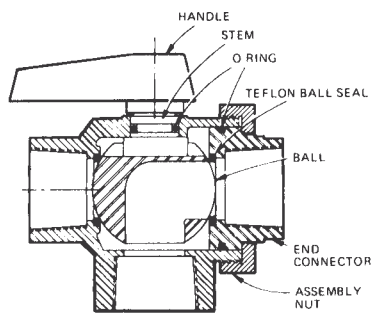


*Two required for each valve.



Ball Valves

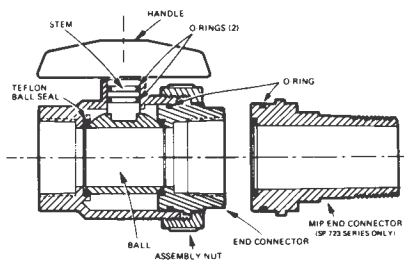
REPLACEMENT PARTS



SP0735

Cat. Nos. SP0720, 0730, 0735 Ball Valves

Part No.	Description	Ctn. Qty.	List Price
SPX0735D	Handle	10	\$7.84
SPX0735F	Stem	5	5.68
SPX0735GH	O-Ring, Stem and End Connector	10	5.68
SPX0735E	Assembly Nut	10	5.83
SPX0720P2	Teflon Ball Seal (Set of 2)(SP0720, 0730)	10	6.98
SPX0735P2	Teflon Ball Seal (Set of 2)(SP0735)	10	6.85
SPX0720B	End Connector – Threaded (SP0720, 0730)	10	18.69
SPX0720BS	End Connector – Socket (SP0720, 0730)	10	17.58
SPX0735B	End Connector – Threaded (SP0735)	10	10.59
SPX0720C	Ball (SP0720)	5	16.98
SPX0735C	Ball (SP0735)	5	16.87



SP0722, 0723

Cat. Nos. SP0722, 0723 and UN, 1 1/2" Trimline Ball Valves

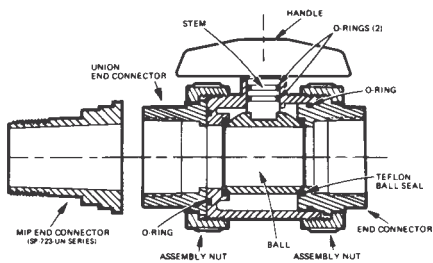
Part No.	Description	Ctn. Qty.	List Price
SPX0722F	Handle	10	\$4.24
SPX0722B7	Stem	10	3.80
SPX0720P2	Teflon Ball Seal (Set of 2) – 1976 and prior	10	6.98
SPX0722P2	Teflon Ball Seal (Set of 2)	10	7.25
SPX0722GH	O-Ring, Stem w/End Connector	10	3.93
SPX0722D	Assembly Nut	10	5.85
SPX0722C7	Ball	10	8.89
SPX0722ET7	End Connector – FIP	10	7.37
SPX0722ES7	End Connector – SKT	5	7.40
SPX0723ET7	End Connector – MIP	10	9.00
SPX0722UT	Union End Connector – FIP (UN)	10	6.21
SPX0722US	Union End Connector – SKT (UN)	10	6.19
SPX0723UT	Union End Connector – MIP (UN)	10	8.31
SPX1495Z1	O-Ring, Flush Union End (UN)	10	2.03

Cat. Nos. SP0729 1 1/2" 2-Way Ball Valves

Part No.	Description	Ctn. Qty.	List Price
SPX0728D	Handle	10	\$4.50
SPX0728H	O-Ring, End Connector	10	2.59

Cat. Nos. SP0724, 0725, 0726, 2" Trimline Ball Valves

Part No.	Description	Ctn. Qty.	List Price
SPX0724J	Handle	5	\$8.43
SPX0724B	Stem	10	6.21
SPX0724GA	Teflon Ball Seal (Set of 2) w/O-Ring Stem and End Connector	10	14.39
SPX0724ET	End Connector – FIP (SP724)	10	12.51
SPX0724ES	End Connector – SKT (SP724)	10	10.77



SP0722UN, 0723UN