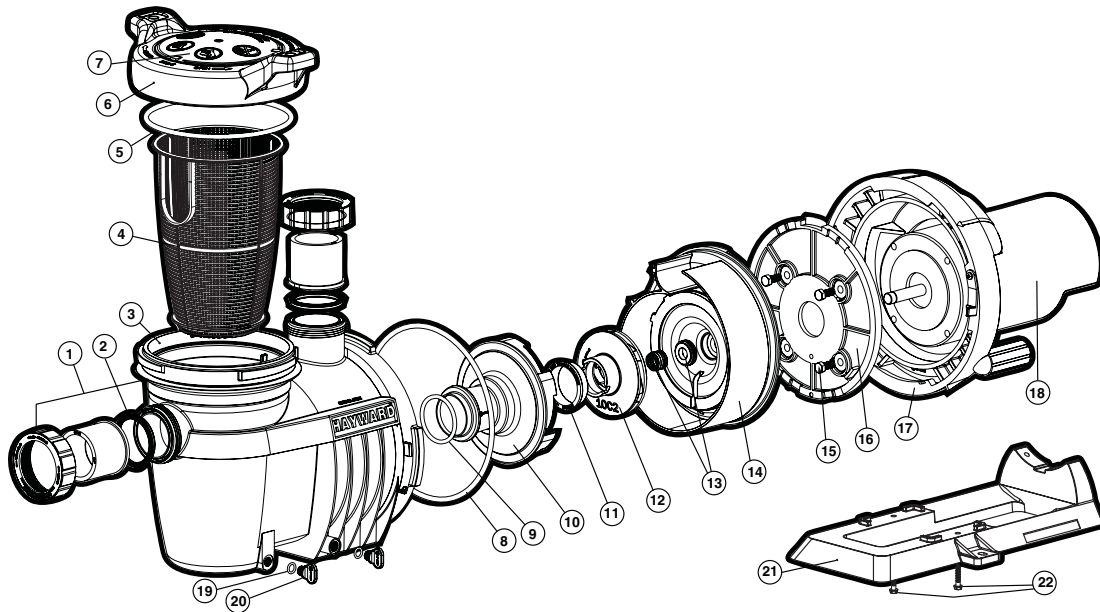




### Parts for Pump Models: SP4005NS, SP4007NS, SP4010NS, SP4015NS, SP4020NS, SP4030NS



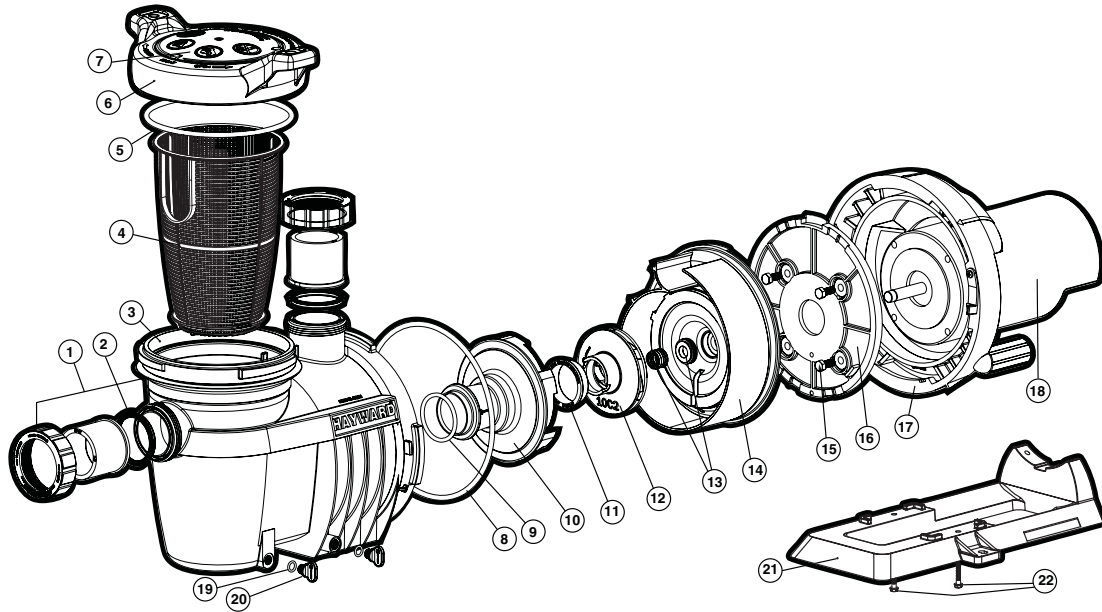
Ref. No.	Part No.	Description	Ctn. Qty.	List Price
1	SPX3200UNKIT	Union Connector Kit (includes 2 ea. Union Nut, Connector and Gasket) (2008 and later)	1	\$33.16
	SPX4000UNPAK1	Union Connector Kit (includes 1 ea. Union Nut, Connector and Gasket) (2007 and prior)	1	16.31
	SPX4000UNPAK2	Union Connector Kit (includes 1 ea. Curved Union Connector, O-Ring and Nut) (2007 and prior)	1	19.81
—	SPX4000HSGKIT	Housing Kit (includes Union Connector Kit (# 1), Pump Housing (# 3), Strainer Basket (# 4), Strainer Cover Kit (# 6 & 7) and Drain Plug with O-Ring (# 19 & 20)	1	307.79
2	SPX3200UG	Union Gasket (T-Seal), 50 Duro EPDM (2008 and later)	1	9.17
	SPX4000Z1	Union O-Ring (2007 and prior)	10	9.16
3	SPX4020TP	Pump Housing, Threaded Port (2008 and later)	1	267.81
4	SPX4000M	Strainer Basket	1	19.05
5	SPX4000S	Strainer Cover O-Ring (2008 and later)	10	24.43
	SPX4000TS	Strainer Cover T-Ring (2003-2007)	1	24.43
	CX400G	Strainer Cover O-Ring (prior to 2003)	1	24.36
	GMX600F	Pressure Test O-ring (2007 and earlier)	1	11.01
6 & 7	SPX4000CLO	Strainer Cover Kit (includes Strainer Cover, Lock Ring and O-Ring) (2008 and later)	1	70.94
	SPX4000CLOB	Strainer Cover Kit for Biguanide Sanitizers (2008 and later <b>NOT</b> Pressure Testable)	1	73.78
	SPX4000DLT	Strainer Cover Kit (includes Strainer Cover, Lock Ring and O-Ring) (2007 and prior)	1	77.47
	SPX4000DLTB	Strainer Cover Kit for Biguanide Sanitizers (2007 and prior <b>NOT</b> Pressure Testable)	1	77.47
8	SPX4000T	Seal Plate O-Ring	10	18.59
9	SPX4000Z1	Diffuser O-Ring	10	9.16
10	SPX4000B	Diffuser	1	26.81
11	SPX3021R	Impeller Ring	1	4.12
13	SPX3200SA	Seal Assembly	10	18.59
14	SPX4000E	Seal Plate	1	42.89
15	SPX0125Z44	Motor Bolt	1	6.72
16	SPX4000F	Motor Mounting Plate	1	38.15
17	SPX4000K	Motor Lock Ring	1	43.93
19 & 20	SPX4000FG	Drain Plug with O-Ring	10	3.05
21 & 22	SPX4000GA	Mounting Base with (2) Cap Screws	1	32.77
22	SPX1600Z52	Mounting Base Cap Screws (set of 2)	1	3.66

#### Parts listed below must be ordered for specific model & H.P.

12	SPX4005CKIT	Impeller for 1/2 H.P. with Impeller Ring and Seal Assembly	10	\$39.68
	SPX4007CKIT	Impeller for 3/4 H.P. with Impeller Ring and Seal Assembly	10	40.84
	SPX4010CKIT	Impeller for 1 H.P. with Impeller Ring and Seal Assembly	10	43.17
	SPX4015CKIT	Impeller for 1 1/2 H.P. with Impeller Ring and Seal Assembly	10	46.68
	SPX4020CKIT	Impeller for 2 H.P. with Impeller Ring and Seal Assembly	5	46.68
	SPX4030CKIT	Impeller for 3 H.P. with Impeller Ring and Seal Assembly	5	46.68
18	SPX1605Z1BNS	Motor, 1/2 H.P.	1	315.66
	SPX1607Z1BNS	Motor, 3/4 H.P.	1	352.12
	SPX1610Z1BNS	Motor, 1 H.P.	1	392.36
	SPX1615Z1BNS	Motor, 1 1/2 H.P.	1	489.40
	SPX1620Z1BNS	Motor, 2 H.P.	1	601.93
	SPX1630Z1BNS	Motor, 3 H.P.	1	706.20

**\*NOTE:** For models prior to 2003, when replacing either the impeller or seal assembly, must purchase the impeller kit to replace both to ensure compatibility

Parts for Pump Models: SP4007X10NS, SP4010X15NS/2NS, SP4015X20NS/2NS, SP4020X25NS/2NS, SP4025X30NS



Ref. No.	Part No.	Description	Ctn. Qty.	List Price
1	SPX3200UNKIT	Union Connector Kit (includes 2 ea. Union Nut, Connector and Gasket) (2008 and later)	1	\$33.16
	SPX4000UNPAK1	Union Connector Kit (includes 1 ea. Union Nut, Connector and Gasket) (2007 and prior)	1	16.31
	SPX4000UNPAK2	Union Connector Kit (includes 1 ea. Curved Union Connector, O-Ring and Nut) (2007 and prior)	1	19.81
—	SPX4000HSGKIT	Housing Kit (includes Union Connector Kit (# 1), Pump Housing (# 3), Strainer Basket (# 4), Strainer Cover Kit (# 6 & 7) and Drain Plug with O-Ring (# 19 & 20)	1	307.79
2	SPX3200UG	Union Gasket (T-Seal), 50 Duro EPDM (2008 and later)	1	9.17
	SPX4000Z1	Union O-Ring (2007 and prior)	10	9.16
3	SPX4020TP	Pump Housing, Threaded Port (2008 and later)	1	267.81
4	SPX4000M	Strainer Basket	1	19.05
5	SPX4000S	Strainer Cover O-Ring (2008 and later)	10	24.43
	SPX4000TS	Strainer Cover T-Ring (2003-2007)	1	24.43
	CX400G	Strainer Cover O-Ring (prior to 2003)	1	24.36
	GMX600F	Pressure Test O-Ring (2007 and earlier)	1	11.01
6 & 7	SPX4000CLO	Strainer Cover Kit (includes Strainer Cover, Lock Ring and O-Ring) (2008 and later)	1	70.94
	SPX4000CLOB	Strainer Cover Kit for Biguanide Sanitizers (2008 and later <b>NOT</b> Pressure Testable)	1	73.78
	SPX4000DLT	Strainer Cover Kit (includes Strainer Cover, Lock Ring and O-Ring) (2007 and prior)	1	77.47
	SPX4000DLTB	Strainer Cover Kit for Biguanide Sanitizers (2007 and prior <b>NOT</b> Pressure Testable)	1	77.47
8	SPX4000T	Seal Plate O-Ring	10	18.59
9	SPX4000Z1	Diffuser O-Ring	10	9.16
10	SPX4000B	Diffuser	1	26.81
11	SPX3021R	Impeller Ring	1	4.12
13	SPX3200SA	Seal Assembly	10	18.59
14	SPX4000E	Seal Plate	1	42.89
15	SPX0125Z44	Motor Bolt	1	6.72
16	SPX4000F	Motor Mounting Plate	1	38.15
17	SPX4000K	Motor Lock Ring	1	43.93
19 & 20	SPX4000FG	Drain Plug with O-Ring	10	3.05
21 & 22	SPX4000GA	Mounting Base with (2) Cap Screws	1	32.77
	SPX1600Z52	Mounting Base Cap Screws (set of 2)	1	3.66

Parts listed below must be ordered for specific model & H.P.

12	SPX4007CKIT	Impeller for 1 H.P. with Impeller Ring and Seal Assembly	10	\$40.84
	SPX4010CKIT	Impeller for 1 1/2 H.P. with Impeller Ring and Seal Assembly	10	43.17
	SPX4015CKIT	Impeller for 2 H.P. with Impeller Ring and Seal Assembly	10	46.68
	SPX4020CKIT	Impeller for 2 1/2 H.P. with Impeller Ring and Seal Assembly	5	46.68
	SPX4025CKIT	Impeller for 3 H.P. with Impeller Ring and Seal Assembly	5	46.68
18	SPX1607Z1MNS	Motor, 1 H.P.	1	352.12
	SPX1610Z1MNS	Motor, 1 1/2 H.P.	1	392.36
	SPX1610Z2MNS	Motor, 1 1/2 H.P., 2-speed	1	433.67
	SPX1615Z1MNS	Motor, 2 H.P.	1	489.40
	SPX1615Z2MNS	Motor, 2 H.P., 2-speed	1	531.00
	SPX1620Z1MNS	Motor, 2 1/2 H.P.	1	587.49
	SPX1620Z2MNS	Motor, 2 1/2 H.P., 2-speed	1	628.34
	SPX1625Z1MNS	Motor, 3 H.P.	1	688.67

\*NOTE: For models prior to 2003, when replacing either the impeller or seal assembly, must purchase the impeller kit to replace both to ensure compatibility.

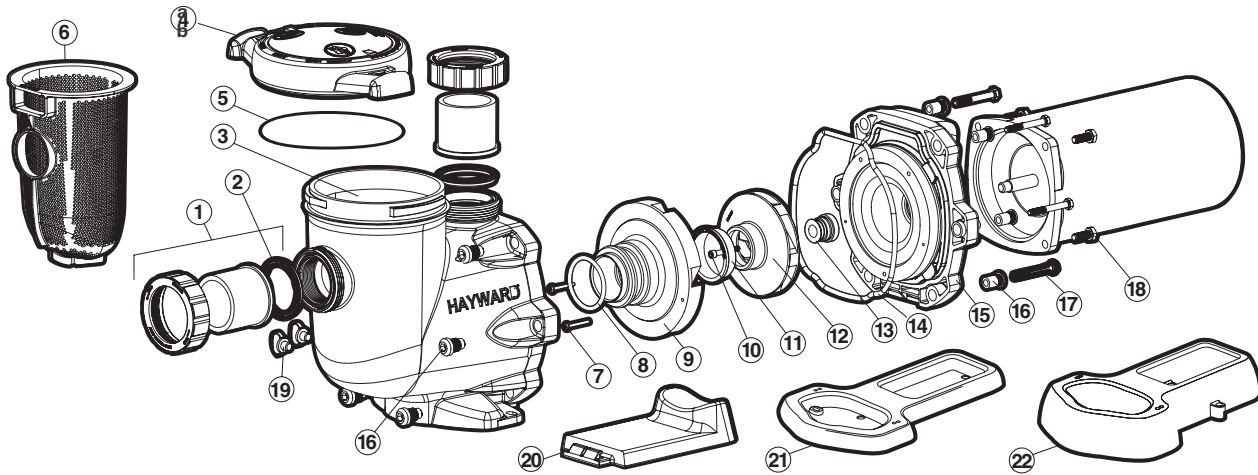


**TriStar™**

SP3200EE PUMP SERIES (ENERGY EFFICIENT, FULL-RATED) REPLACEMENT PARTS

**Parts for Pump Models: SP3205EE, SP3207EE, SP3210EE, SP3215EE, SP3220EE, SP3230EE, SP3250EE**

Pumps

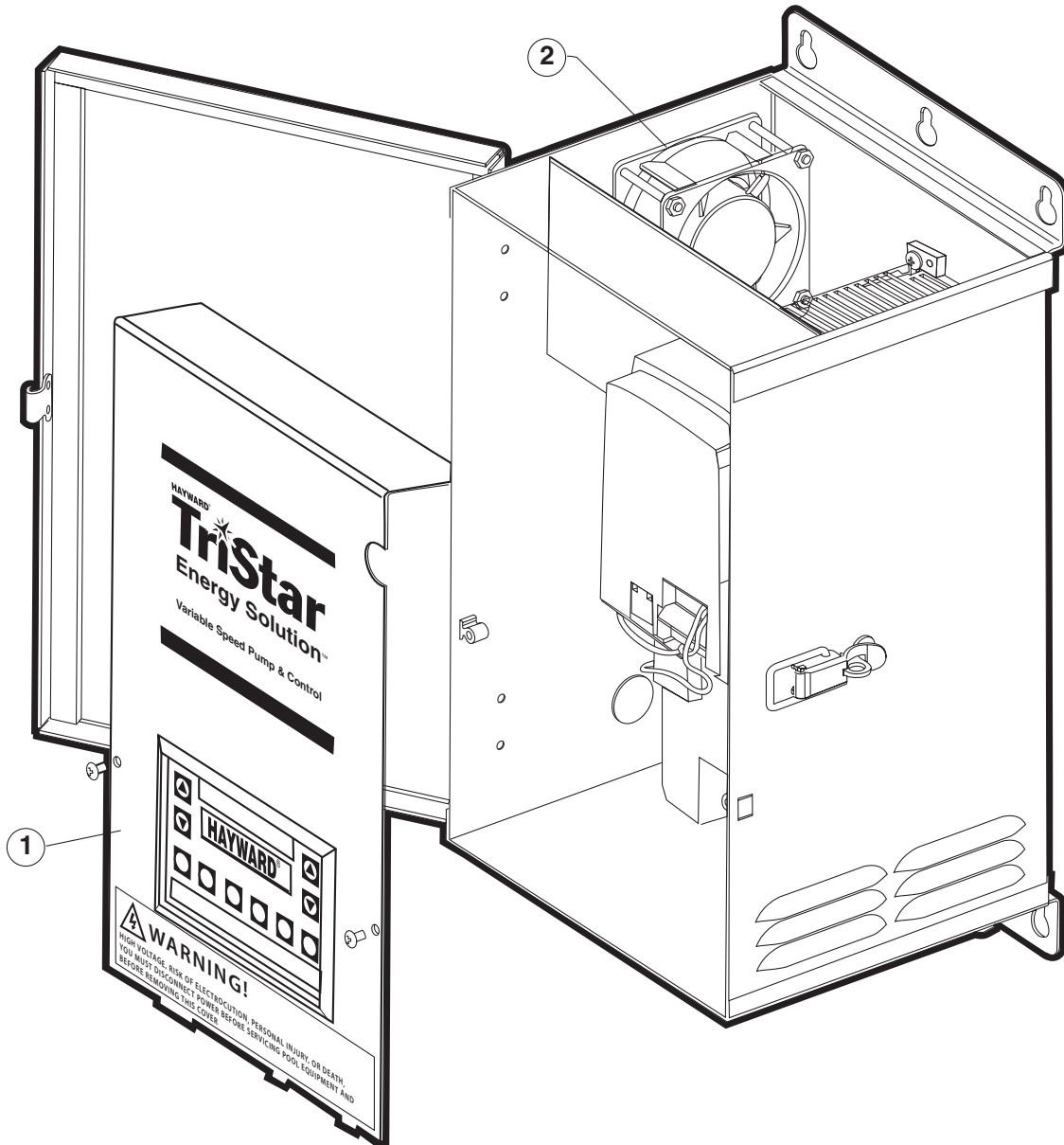


Ref. No.	Part No.	Description	Ctn.	Qty.	List Price
1	SPX3200UNKIT	Union Connector Kit (includes Nut, Connector, Gasket)	1		\$33.16
2	SPX3200UG	Union Gasket (T-seal), 50 duro EPDM (2 per pack)	1		9.17
3	SPX3200A	Pump Strainer Housing, 2" x 2" with Drain Plugs, threaded style	1		228.55
4a	SPX3200DLS	Strainer Cover Kit (includes Strainer Cover, Lock Ring, O-Ring)	10		56.97
4b	SPX3200DLSB	Strainer Cover Kit for Biguanide Sanitizers (includes: Strainer Cover, Lock Ring, T-Ring <b>NOT</b> Pressure Testable)	10		56.97
5	SPX3200S	Strainer Cover O-Ring	10		10.23
6	SPX3200M	Strainer Basket	15		12.39
7	SPX3200Z8	Diffuser Screws (2 per)	1		9.15
8	SPX4000Z1	Diffuser O-Ring	10		9.16
9	SPX3200B3	Diffuser	1		28.50
10	SPX3200Z1	Impeller Screw	1		4.95
11	SPX3021R	Impeller Ring	1		4.12
12	SPX3205C	Impeller for 1/2 H.P. with Impeller Screw	10		25.01
12	SPX3207CM	Impeller for 3/4 H.P. with Impeller Screw	10		25.01
12	SPX3210C	Impeller for 1 H.P. with Impeller Screw	10		25.99
12	SPX3215C	Impeller for 1 1/2 H.P. with Impeller Screw	10		30.97
12	SPX3220C	Impeller for 2 H.P. with Impeller Screw	10		36.27
12	SPX3230C	Impeller for 3 H.P. with Impeller Screw	10		36.27
12	SPX3230C5	Impeller for 5 H.P. with Impeller Screw	10		36.27
13	SPX3200SA	Shaft Seal Assembly	10		18.59
14	SPX3200T	Housing O-Ring	10		7.18
15	SPX3200E	Seal Plate	1		36.51
16	SPX3200Z211	Housing Insert & Seal Plate Spacer Kit	1		16.71
17	SPX3200Z3	Housing Bolt	10		3.28
18	SPX3200Z5	Motor Bolt	1		6.75
19	SPX4000FG	Drain Plug with O-Ring	10		3.05
20	SPX3200GA	Bracket, Motor, Support	1		29.74
21	SPX3200WF	Base, Short Riser, TriStar	1		27.58
22	SPX3200SR	Base, Tall Riser, TriStar	1		27.58

**Power Ends**

SPX3205Z1PE	1/2 H.P. Power End, Mtr, Seal Plate, Seal, Diffuser (includes Ref. # 7-18 and Motor)	1		\$644.69
SPX3207Z1PE	3/4 H.P. Power End, Mtr, Seal Plate, Seal, Diffuser (includes Ref. # 7-18 and Motor)	1		644.69
SPX3210Z1PE	1 H.P. Power End, Mtr, Seal Plate, Seal, Diffuser (includes Ref. # 7-18 and Motor)	1		687.39
SPX3215Z1PE	1 1/2 H.P. Power End, Mtr, Seal Plate, Seal, Diffuser (includes Ref. # 7-18 and Motor)	1		804.12
SPX3220Z1PE	2 H.P. Power End, Mtr, Seal Plate, Seal, Diffuser (includes Ref. # 7-18 and Motor)	1		924.76
SPX3230Z1PE	3 H.P. Power End, Mtr, Seal Plate, Seal, Diffuser (includes Ref. # 7-18 and Motor)	1		1,147.87
SPX3250Z1PE	5 H.P. Power End, Mtr, Seal Plate, Seal, Diffuser (includes Ref. # 7-18 and Motor)	1		1,273.04
SPX3210Z2PE	1 H.P. 2 Sp Power End, Mtr, Seal Plate, Seal, Diffuser (includes Ref. # 7-18 and Motor)	1		847.93
SPX3215Z2PE	1 1/2 H.P. 2 Sp Power End, Mtr, Seal Plate, Seal, Diffuser (includes Ref. # 7-18 and Motor)	1		990.78
SPX3220Z2PE	2 H.P. 2 Sp Power End, Mtr, Seal Plate, Seal, Diffuser (includes Ref. # 7-18 and Motor)	1		1,205.37
SPX3220Z1PE3V	2 H.P. 3 Phase Power End, Mtr, Seal Plate, Seal, Diffuser (includes Ref. # 7-18 and Motor)	1		1,009.51
SPX3230Z1PE3	3 H.P. 3 Phase Power End, Mtr, Seal Plate, Seal, Diffuser (includes Ref. # 7-18 and Motor)	1		1,256.71

## Parts Diagram and Parts Listing



Ref. No.	Part No.	Description	Ctn. Qty.	No. Req'd	List Price
1	SPX3220VSLCD	Interface, TriStar Variable Speed Control	1	1	\$321.00
1	SPX3220VSLCDA	Interface, TriStar Variable Speed Control, Aqua Logic	1	1	502.90
2	SPX3220VSCFAN	Fan, TriStar Variable Speed Control	1	1	50.29

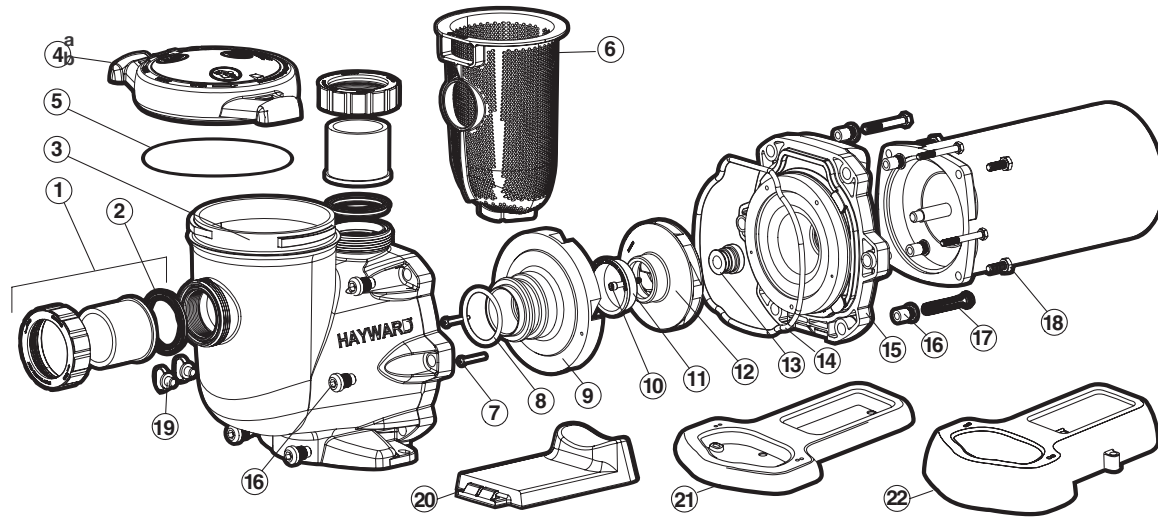
**NOTE:** Interface assemblies include user interface board mounted to interface panel, and RS485 data cable.



**TriStar™**

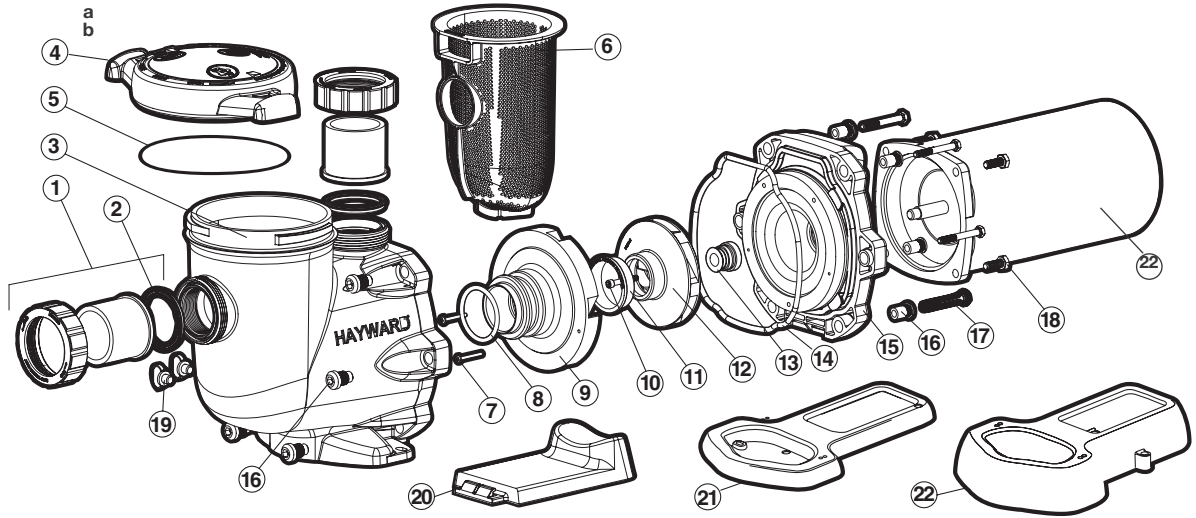
SP3200 PUMP SERIES (MAX-RATED) REPLACEMENT PARTS

**Parts for Pump Models: SP3205X7, 3207X10, 3210X15, 3215X20, 3220X25, 3225X30**



Ref. No.	Part No.	Description	Ctn.	Qty.	List Price
1	SPX3200UNKIT	Union Connector Kit (includes Nut, Connector, Gasket)	1		\$33.16
2	SPX3200UG	Union Gasket (T-seal), 50 duro EPDM (2 per pack)	1		9.17
3	SPX3200A	Pump Strainer Housing, 2" x 2" with Drain Plugs, threaded style	1		228.55
4a	SPX3200DLS	Strainer Cover Kit (includes Strainer Cover, Lock Ring, O-Ring)	10		56.97
4b	SPX3200DLSB	Strainer Cover Kit for Biguanide Sanitizers (includes: Strainer Cover, Lock Ring, T-Ring) <b>NOT</b> Pressure Testable)	10		56.97
5	SPX3200S	Strainer Cover O-Ring	10		10.23
6	SPX3200M	Strainer Basket	15		12.39
7	SPX3200Z8	Diffuser Screws (2 per)	1		9.15
8	SPX4000Z1	Diffuser O-Ring	10		9.16
9	SPX3200B3	Diffuser	1		28.50
10	SPX3200Z1	Impeller Screw	1		4.95
11	SPX3021R	Impeller Ring	1		4.12
12	SPX3205C	Impeller for 3/4 H.P. with Impeller Screw	1		25.01
12	SPX3207CM	Impeller for 1 H.P. with Impeller Screw	10		23.82
12	SPX3210C	Impeller for 1 1/2 H.P. with Impeller Screw	10		25.99
12	SPX3215C	Impeller for 2 H.P. with Impeller Screw	10		30.97
12	SPX3220CM	Impeller for 2 1/2 H.P. with Impeller Screw	10		34.55
12	SPX3230C	Impeller for 3 H.P. with Impeller Screw	10		36.27
13	SPX3200SA	Shaft Seal Assembly	10		18.59
14	SPX3200T	Housing O-Ring	10		7.18
15	SPX3200E	Seal Plate	1		36.51
16	SPX3200Z211	Housing Insert & Seal Plate Spacer Kit	1		16.71
17	SPX3200Z3	Housing Bolt	10		3.28
18	SPX3200Z5	Motor Bolt	1		6.75
19	SPX4000FG	Drain Plug with O-Ring	10		3.05
20	SPX3200GA	Bracket, Motor, Support	1		29.74
21	SPX3200WF	Base, Short Riser	1		27.58
22	SPX3200SR	Base, Tall Riser	1		27.58
<b>Power Ends</b>					
	SPX3205X7Z1PE	3/4 H.P. Power End, Mtr, Seal Plate, Seal, Diffuser (includes Ref. # 7-18 and Motor)	1		\$574.50
	SPX3207X10Z1PE	1 H.P. Power End, Mtr, Seal Plate, Seal, Diffuser (includes Ref. # 7-18 and Motor)	1		619.36
	SPX3210X15Z1PE	1 1/2 H.P. Power End, Mtr, Seal Plate, Seal, Diffuser (includes Ref. # 7-18 and Motor)	1		694.33
	SPX3215X20Z1PE	2 H.P. Power End, Mtr, Seal Plate, Seal, Diffuser (includes Ref. # 7-18 and Motor)	1		737.07
	SPX3220X25Z1PE	2 1/2 H.P. Power End, Mtr, Seal Plate, Seal, Diffuser (includes Ref. # 7-18 and Motor)	1		912.27
	SPX3225X30Z1PE	3 H.P. Power End, Mtr, Seal Plate, Seal, Diffuser (includes Ref. # 7-18 and Motor)	1		1,087.39
	SPX3210X15Z2PE	1 1/2 H.P. 2 Speed Power End, Mtr, Seal Plate, Seal, Diffuser (includes Ref. # 7-18 and Motor)	1		814.07
	SPX3215X20Z2PE	2 H.P. 2 Speed Power End, Mtr, Seal Plate, Seal, Diffuser (includes Ref. # 7-18 and Motor)	1		910.27
	SPX3220X25Z2PE	2 1/2 H.P. 2 Speed Power End, Mtr, Seal Plate, Seal, Diffuser (includes Ref. # 7-18 and Motor)	1		1,112.19

### Parts for Pump Models: SP36075EE, 36120EE



Ref. No.	Part No.	Description	Ctn. Qty.	List Price
1	SPX3200UNKIT	Union Connector Kit (includes Nut, Connector, Gasket)	1	\$33.16
2	SPX3200UG	Union Gasket (T-seal), 50 duro EPDM (2 per pack)	1	9.17
3	SPX3200A	Pump Strainer Housing, 2" x 2" with Drain Plugs, threaded style	1	228.55
4a	SPX3200DLS	Strainer Cover Kit (includes Strainer Cover, Lock Ring, O-Ring)	10	56.97
4b	SPX3200DLSB	Strainer Cover Kit for Biguanide Sanitizers (includes: Strainer Cover, Lock Ring, T-Ring <b>NOT</b> Pressure Testable)	10	56.97
5	SPX3200S	Strainer Cover O-Ring	10	10.23
6	SPX3200M	Strainer Basket	15	12.39
7	SPX3200Z8	Diffuser Screws (2 per)	1	9.15
8	SPX4000Z1	Diffuser O-Ring	10	9.16
9	SPX3200B3	Diffuser	1	28.50
10	SPX3200Z1	Impeller Screw	1	4.95
11	SPX3021R	Impeller Ring	1	4.12
12	SPX3220C	Impeller for 75 GPM with Impeller Screw	10	36.27
12	SPX3230CU	Impeller for 120 GPM with Impeller Screw	10	36.27
13	SPX3200SA	Shaft Seal Assembly	10	18.59
14	SPX3200T	Housing O-Ring	10	7.18
15	SPX3200E	Seal Plate	1	36.51
16	SPX3200Z211	Housing Insert & Seal Plate Spacer Kit	1	16.71
17	SPX3200Z3	Housing Bolt	10	3.28
18	SPX3200Z5	Motor Bolt	1	6.75
19	SPX4000FG	Drain Plug with O-Ring	10	3.05
20	SPX3200GA	Bracket, Motor, Support	1	29.74
21	SPX3200SR	Base, Tall Riser	1	27.58
22	SPX3605Z1BER	Motor – Waterfall, 75-120 GPM	1	460.27

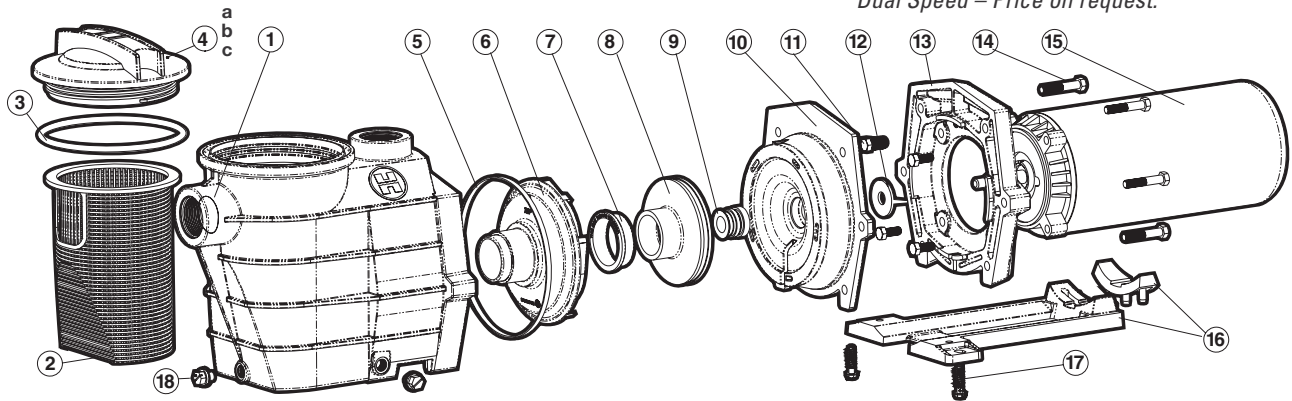


# Super II™

## SP3000 PUMP SERIES (ENERGY EFFICIENT, FULL-RATED) REPLACEMENT PARTS

### Parts for Pump Models: SP3005, SP3007, SP3010, SP3015, SP3020, SP3025

NOTE: 60 Cycle 3 Phase, Conservationist™, 50 Cycle Motors, Single and Dual Speed – Price on request.



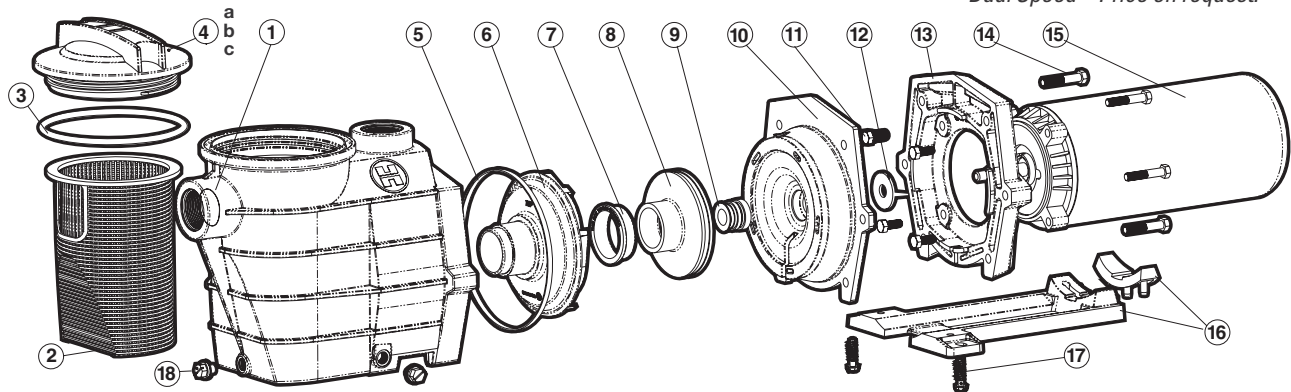
Ref. No.	Part No.	Description	Ctn. Qty.	No. Req'd	List Price
1	SPX3100AAZ	Pump Housing/Strainer, 1 1/2" x 1 1/2", w/Drain Plugs, threaded style	1	1	\$227.32
1	SPX3000AA	Pump Housing/Strainer, 1 1/2" x 1 1/2", w/Drain Plugs	1	1	227.32
1	SPX3020AA	Pump Housing/Strainer, 2" x 2", w/Drain Plugs	1	1	230.24
1	SPX3120AAZ	Pump Housing/Strainer, 2" x 2", w/Drain Plugs, threaded style	1	1	230.24
2	SPX3000M	Basket	15	1	12.21
3	SPX3000S	Strainer Cover O-Ring	10	1	10.07
4a	SPX3000D	Strainer Cover, clear	10	1	42.06
4b	SPX3100D	Strainer Cover, Thread Style (E-Z Flo, AZ)	10	1	42.06
4c	SPX3100DB	Strainer Cover for Biguanide Sanitizers <b>NOT</b> Pressure Testable	10	1	42.06
5	SPX3000T	Housing Gasket	10	1	7.18
—	SPX1600R	Diffuser Gasket - Not Shown	10	1	2.89
—	SPX3000TRA	Seal Assembly Kit (includes Seal Assembly, Housing & Diffuser Gaskets) – Not Shown	10	1	31.73
6	SPX2600B	Diffuser, for 1/2 through 1 H.P. (1987 and prior)	1	1	24.72
6	SPX3000BN	Diffuser, for 1/2 through 1 H.P. (after 1988)	1	1	26.81
6	SPX3000B	Diffuser, for 2 and 3 H.P. (1989 and prior)	1	1	26.81
6	SPX3021B	Diffuser, for 1 1/2, 2 and 3 H.P. (after 1990)	1	1	28.50
7	SPX3005R	Impeller Ring – 3/4 through 2, 2 1/2 and 3 H.P. (SP3000 Series Impellers)	1	1	3.99
7	SPX3021R	Impeller Ring – 1 1/2, 2 and 3 H.P. (SP3016C, 3021C, 3026C Impellers)	1	1	4.12
9	SPX1600Z2	Seal Assembly	10	1	15.84
10	SPX3000E	Seal Plate, for SP-2600 Series Impellers	1	1	36.56
10	SPX3020E	Seal Plate, for SP-3000 Series Impellers	1	1	35.70
11	SPX0125Z44	Motor Cap Screw (Set of 4)	1	4	6.72
12	SPX0125F	Slinger	10	1	2.59
13	SPX3000F	Motor Mounting Plate	1	1	35.34
14	SPX1600Z4	Housing Cap Screw	10	6	3.66
—	SPX3000Z26	Washer, 3/8" – for cap screw (Set of 6) – Not Shown	1	6	2.97
16	SPX3000GA	Mounting Bracket w/Adapter and 2 Cap Screws	1	1	29.55
17	SPX1600Z52	Mounting Foot Cap Screw (Set of 2)	1	2	3.66
18	SPX1600V	1/4" Drain Plug (1991 and prior)	25	2	1.52
18	SPX1700FG	1/4" Drain Plug w/Gasket (after 1992)	10	2	3.17

### Parts listed below must be ordered for specific model & H.P.:

8	<b>1987 and prior</b>	<b>1988 and later</b>				
8	SPX2605C	SPX3005C	Impeller, for 1/2 H.P.	10	1	\$23.49/24.08
8	SPX2607C	SPX3007C	Impeller, for 3/4 H.P.	10	1	24.48/25.01
8	SPX2610C	SPX3010C	Impeller, for 1 H.P.	10	1	25.12/25.94
8	SPX2615C	SPX3015C	Impeller, for 1 1/2 H.P.	1	1	30.97
8	<b>1989 and prior</b>	<b>1990 and later</b>				
8	—	SPX3016C	Impeller, for 1 1/2 H.P.	1	1	33.42
8	SPX3020CKIT	SPX3021C	Impeller, for 2 H.P.	1	1	36.27
8	SPX3025CKIT	SPX3026C	Impeller, for 3 H.P.	1	1	45.62
15	SPX1607Z1M		Motor, 3/4 H.P., Threaded Shaft (Single Phase, 60 Cycle 115/230V)	1	1	333.48
15	SPX1610Z1BEE		Motor, 1 H.P., Threaded Shaft (Single Phase, 60 Cycle 115/230V)	1	1	443.95
15	SPX1615Z1BEE		Motor, 1 1/2 H.P., Threaded Shaft (Single Phase, 60 Cycle 115/230V)	1	1	467.73
15	SPX1620Z1BEE		Motor, 2 H.P., Threaded Shaft (Single Phase, 60 Cycle 230V)	1	1	524.51
15	SPX1625Z1M		Motor, 3 H.P., Threaded Shaft (Single Phase, 60 Cycle 230V)	1	1	678.34
15	SPX0160Z1D		Motor, 3 H.P., Threaded Shaft (Three Phase, 60 Cycle 230/460V)	1	1	707.31

### Parts for Pump Models: SP3005X7, SP3007X10, SP3010X15, SP3015X20, SP3020X25, SP3025X30

NOTE: 60 Cycle 3 Phase, Conservationist™, 50 Cycle Motors, Single and Dual Speed – Price on request.



Ref. No.	Part No.	Description	Ctn. Qty.	No. Req'd	List Price
1	SPX3000AA	Pump Housing/Strainer, 1 1/2" x 1 1/2", w/Drain Plugs	1	1	\$227.32
1	SPX3100AAZ	Pump Housing/Strainer, 1 1/2" x 1 1/2", w/Drain Plugs, threaded style	1	1	227.32
1	SPX3020AA	Pump Housing/Strainer, 2" x 2", w/Drain Plugs	1	1	230.24
1	SPX3120AAZ	Pump Housing/Strainer, 2" x 2", w/Drain Plugs, threaded style	1	1	230.24
2	SPX3000M	Basket	15	1	12.39
3	SPX3000S	Strainer Cover O-Ring	10	1	10.07
4a	SPX3000D	Strainer Cover, clear	1	1	42.06
4b	SPX3100D	Strainer Cover, Thread Style (E-Z Fb, Az)	10	1	42.06
4c	SPX3100DB	Strainer Cover for Biguanide Sanitizers <b>NOT</b> Pressure Testable	10	1	42.06
5	SPX3000T	Housing Gasket	10	1	7.18
—	SPX1600R	Diffuser Gasket - Not Shown	10	1	2.89
—	SPX3000TRA	Seal Assembly Kit (includes Seal Assembly, Housing and Diffuser Gaskets) – Not Shown	10	1	31.73
6	SPX2600B	Diffuser, for 3/4 through 2 H.P. (1987 and prior)	1	1	24.72
6	SPX3000BN	Diffuser, for 3/4 through 1 1/2 H.P. (after 1988)	1	1	26.81
6	SPX3000B	Diffuser, for 2 1/2 and 3 H.P. (1989 and prior)	1	1	26.81
6	SPX3021B	Diffuser, for 2, 2 1/2 and 3 H.P. (after 1990)	1	1	28.50
7	SPX3005R	Impeller Ring – 3/4 through 2, 2 1/2 and 3 H.P. (SP3000 Series Impellers)	1	1	3.99
7	SPX3021R	Impeller Ring – 2, 2 1/2 and 3 H.P. (SP3016C, SP3021C, 3026C)	1	1	4.12
9	SPX1600Z2	Seal Assembly	10	1	15.84
10	SPX3000E	Seal Plate, for SP2600 Series Impellers	1	1	36.56
10	SPX3020E	Seal Plate, for SP3000 Series Impellers	1	1	35.70
11	SPX0125Z44	Motor Cap Screw (Set of 4)	1	4	6.72
12	SPX0125F	Slinger	10	1	2.59
13	SPX3000F	Motor Mounting Plate	1	1	35.34
14	SPX1600Z4	Housing Cap Screw	10	6	3.66
—	SPX3000Z26	Washer, 3/8" – for cap screw (Set of 6) – Not Shown	1	6	2.97
16	SPX3000GA	Mounting Bracket w/Adapter and 2 Cap Screws	1	1	29.55
17	SPX1600Z52	Mounting Foot Cap Screw (Set of 2)	1	2	3.66
18	SPX1600V	1/4" Drain Plug (1991 and prior)	25	2	1.52
18	SPX1700FG	1/4" Drain Plug w/Gasket	10	2	3.17

### Parts listed below must be ordered for specific model & H.P.:

	1987	1988				
8	SPX2605C	SPX3005C	Impeller, for 3/4 H.P.	10	1	\$23.49/24.08
8	SPX2607C	SPX3007C	Impeller, for 1 H.P.	10	1	24.48/25.01
8	SPX2610C	SPX3010C	Impeller, for 1 1/2 H.P.	10	1	25.12/25.94
8	SPX2615C	—	Impeller, for 2 H.P.	1	1	30.97
	1989	1990				
8	—	SPX3016C	Impeller, for 2 H.P.	1	1	33.42
8	SPX3020CKIT	SPX3021C	Impeller, for 2 1/2 H.P.	1	1	36.27
8	SPX3025CKIT	SPX3026C	Impeller, for 3 H.P.	1	1	45.62
15	SPX1605Z1M		Motor, 3/4 H.P., Threaded Shaft (Single Phase, 60 Cycle 115/230V)	1	1	291.11
15	SPX1607Z1M		Motor, 1 H.P., Threaded Shaft (Single Phase, 60 Cycle 115/230V)	1	1	333.48
15	SPX1610Z1M		Motor, 1 1/2 H.P., Threaded Shaft (Single Phase, 60 Cycle 115/230V)	1	1	375.83
15	SPX1615Z1M		Motor, 2 H.P., Threaded Shaft (Single Phase, 60 Cycle 115/230V)	1	1	470.82
15	SPX1620Z1M		Motor, 2 1/2 H.P., Threaded Shaft (Single Phase, 60 Cycle 230V)	1	1	584.40
15	SPX1625Z1M		Motor, 3 H.P., Threaded Shaft (Single Phase, 60 Cycle 230V)	1	1	678.34
15	SPX0160Z1D		Motor, 3 H.P., Threaded Shaft (Three Phase, 60 Cycle 230/460V)	1	1	707.31



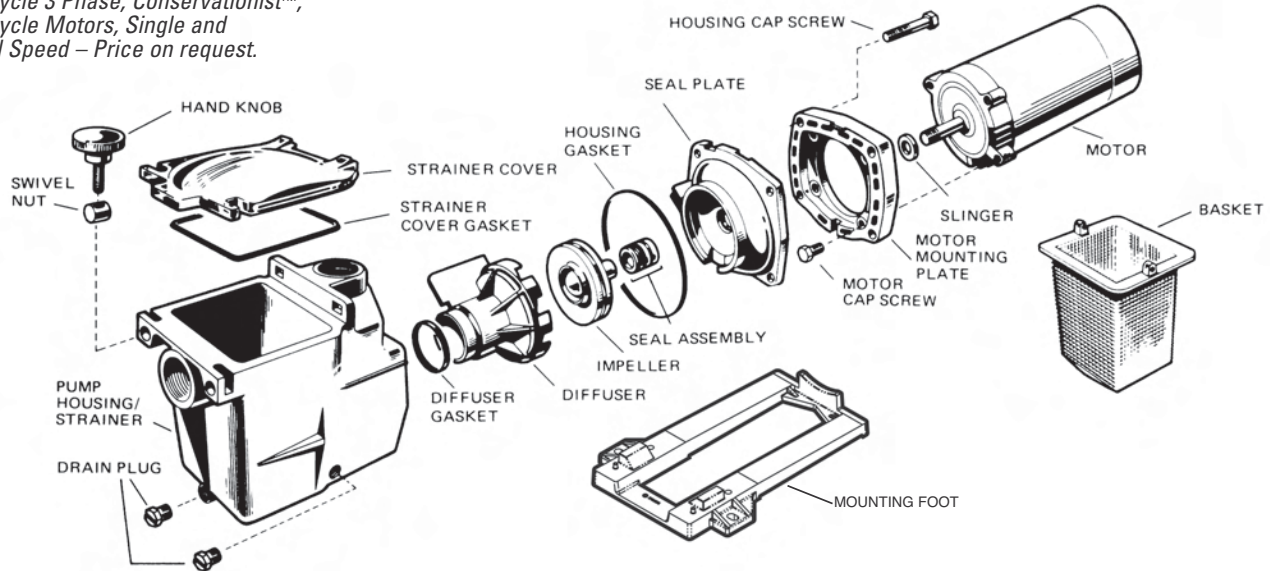
# Super Pump®

## SP1600X PUMP SERIES (MAX-RATED) REPLACEMENT PARTS

Pumps

### Parts for Pump Models: SP1600X5, SP1605X7, SP1607X10, SP1608X10, SP1610X15, SP1611X15, SP1615X20, SP1616X20, SP1621X25

NOTE: 60 Cycle 3 Phase, Conservationist™, 50 Cycle Motors, Single and Dual Speed – Price on request.



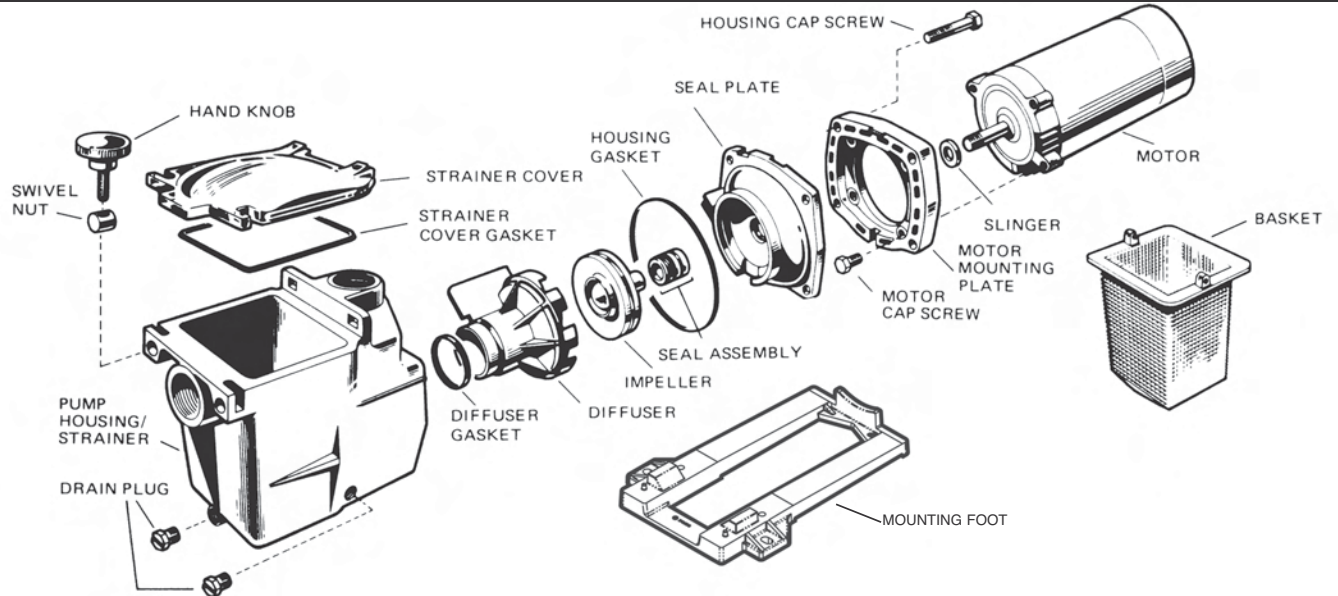
Part No.	Description	Ctn. Qty.	List Price
SPX1600AA	Pump Housing/Strainer, 1 1/2" x 1 1/2", w/Drain Plugs	1	\$196.89
SPX1620AA	Pump Housing/Strainer, 2" x 2", w/Drain Plugs	1	199.75
SPX1600T	Housing Gasket	10	6.72
SPX1600R	Diffuser Gasket	10	2.89
SPX1600TRA	Seal Assembly Kit (includes Seal Assembly, Housing and Diffuser Gaskets)	10	24.43
SPX1600D	Strainer Cover, clear	10	42.40
SPX1600DB	Strainer Cover for Biguanide Sanitizers <b>NOT</b> Pressure Testable	10	42.40
SPX1600S	Strainer Cover Gasket	20	7.92
SPX1600M	Basket	20	10.98
SPX1600PN	Hand Knob Kit (includes Swivel Nut and Hand Knob)	10	10.23
SPX1600V	1/4" Drain Plug (1991- prior)	25	1.52
SPX1700FG	1/4" Drain Plug w/Gasket (1992 and later)	10	3.17
SPX2600G1	Mounting Foot w/Adapter and Screws	10	9.15
SPX1600Z52	Mounting Foot Cap Screw (Set of 2 – 2 Sets Required)	1	3.66
SPX1600Z2	Seal Assembly	10	15.84
SPX1600F5	Motor Mounting Plate	10	30.97
SPX1600Z4	Housing Cap Screw	10	3.66
SPX0125Z44	Motor Cap Screw (Set of 4)	1	6.72
SPX0125F	Slinger	10	2.59

### Med. Hd. High Hd. Parts listed below must be ordered for specific model & H.P.:

SPX2600CKIT*	—	1/2 H.P. Drive Train Upgrade	1	\$124.91
SPX2605CKIT*	—	3/4 H.P. Drive Train Upgrade	1	115.91
SPX2607CKIT*	—	1 H.P. Drive Train Upgrade	1	115.91
SPX2610CKIT*	—	1 1/2 H.P. Drive Train Upgrade	1	118.48
SPX2615CKIT*	—	2 H.P. Drive Train Upgrade	1	121.05
(All above kits include: Impeller, Diffuser, Seal Plate, Housing Gasket, Diffuser Gasket and Motor Mounting Plate)				
—	SPX1621C	Impeller, for 2 1/2 H.P. Max Rated	1	38.56
—	SPX1611E5	Seal Plate 2 1/2 H.P.	10	39.96
SPX1600Z1M		Motor, 1/2 H.P., Threaded Shaft (Single Phase, 60 Cycle 115V)	1	260.15
SPX1605Z1M		Motor, 3/4 H.P., Threaded Shaft (Single Phase, 60 Cycle 115/230V)	1	291.11
SPX1607Z1M		Motor, 1 H.P., Threaded Shaft (Single Phase, 60 Cycle 115/230V)	1	333.48
SPX1610Z1M		Motor, 1 1/2 H.P., Threaded Shaft (Single Phase, 60 Cycle 115/230V)	1	375.83
SPX1615Z1M		Motor, 2 H.P., Threaded Shaft (Single Phase, 60 Cycle 115/230V)	1	470.82
SPX1620Z1M		Motor, 2 1/2 H.P., Threaded Shaft (Single Phase, 60 Cycle 230V)	1	584.40

\*NOTE: For pumps with an "SP1600X—" part number (manufactured before 1983), the use of these new kits (SPX2600CKIT – SPX2615CKIT) will upgrade the old pump to our current "SP2600X—" series. This will improve GPM, reduce noise and provide slightly better energy efficiencies. All individual components included in the kits are not available.

### Parts for Pump Models: SP2600, SP2605, SP2607, SP2610, SP2615, SP2621



Part No.	Description	Ctn. Qty.	List Price
SPX1600AA	Pump Housing/Stainer, 1 1/2" x 1 1/2", w/Drain Plugs	1	\$196.89
SPX1620AA	Pump Housing/Stainer, 2" x 2", w/Drain Plugs	1	199.75
SPX1600T	Housing Gasket	10	6.72
SPX1600R	Diffuser Gasket	10	2.89
SPX1600TRA	Seal Assembly Kit (includes Seal Assembly, Housing and Diffuser Gaskets)	10	24.43
SPX1600D	Strainer Cover, clear	10	42.40
SPX1600DB	Strainer Cover for Biguanide Sanitizers <b>NOT</b> Pressure Testable	10	42.40
SPX1600S	Strainer Cover Gasket	20	7.92
SPX1600M	Basket	20	10.98
SPX1600PN	Hand Knob Kit (includes Swivel Nut and Hand Knob)	10	10.23
SPX1600V	1/4" Drain Plug (1991 and prior)	25	1.52
SPX1700FG	1/4" Drain Plug w/Gasket (1992 and later)	10	3.17
SPX2600G1	Mounting Foot w/Adapter and Screws	10	9.15
SPX1600Z52	Mounting Foot Cap Screw (Set of 2 – 1995 and prior, 2 sets required)	1	3.66
SPX1600Z2	Seal Assembly	10	15.84
SPX1600F5	Motor Mounting Plate	10	30.97
SPX1600Z4	Housing Cap Screw	10	3.66
SPX0125Z44	Motor Cap Screw (Set of 4)	1	6.72
SPX0125F	Slinger	10	2.59
SPX2600B	Diffuser, for 1/3 thru 1 1/2 H.P.	1	24.72
SPX1616B	Diffuser, for 2 H.P. only	1	29.55
SPX2600E5	Seal Plate, 1/3 thru 1 1/2 H.P.	10	32.95
SPX1611E5	Seal Plate, for 2 H.P. only	10	39.96

#### Parts listed below must be ordered for specific model & H.P.:

SPX2600C	Impeller, for 1/3 H.P.	10	\$24.08
SPX2605C	Impeller, for 1/2 H.P.	10	23.49
SPX2607C	Impeller, for 3/4 H.P.	10	24.48
SPX2610C	Impeller, for 1 H.P.	10	25.12
SPX2615C	Impeller, for 1 1/2 H.P.	1	30.97
SPX1621C	Impeller, for 2 H.P.	1	38.56
SPX1600Z1M	Motor, 1/3 H.P., Threaded Shaft (Single Phase, 60 Cycle 115V)	1	260.15
SPX1605Z1M	Motor, 1/2 H.P., Threaded Shaft (Single Phase, 60 Cycle 115/230V)	1	291.11
SPX1607Z1M	Motor, 3/4 H.P., Threaded Shaft (Single Phase, 60 Cycle 115/230V)	1	333.48
SPX1610Z1M	Motor, 1 H.P., Threaded Shaft (Single Phase, 60 Cycle 115/230V)	1	375.83
SPX1615Z1M	Motor, 1 1/2 H.P., Threaded Shaft (Single Phase, 60 Cycle 115/230V)	1	470.82

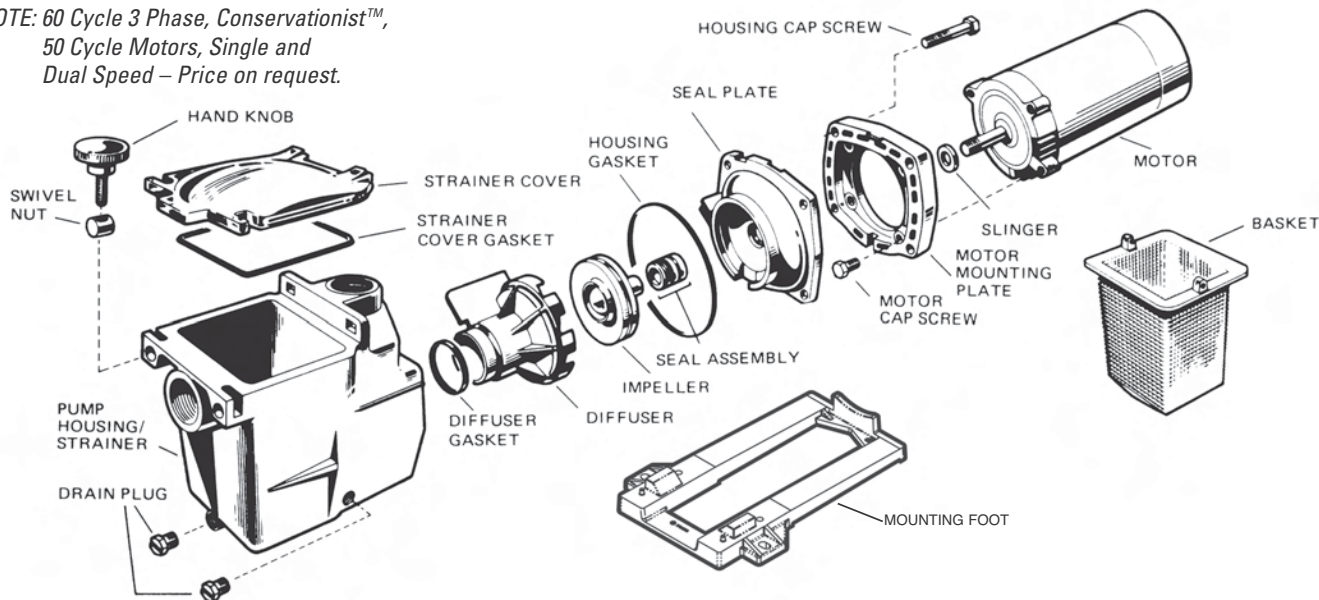


# Super Pump®

## SP2600X PUMP SERIES (MAX-RATED) REPLACEMENT PARTS

### Parts for Pump Models: SP2600X5, SP2605X7, SP2607X10, SP2610X15, SP2615X20, SP2621X25

NOTE: 60 Cycle 3 Phase, Conservationist™, 50 Cycle Motors, Single and Dual Speed – Price on request.

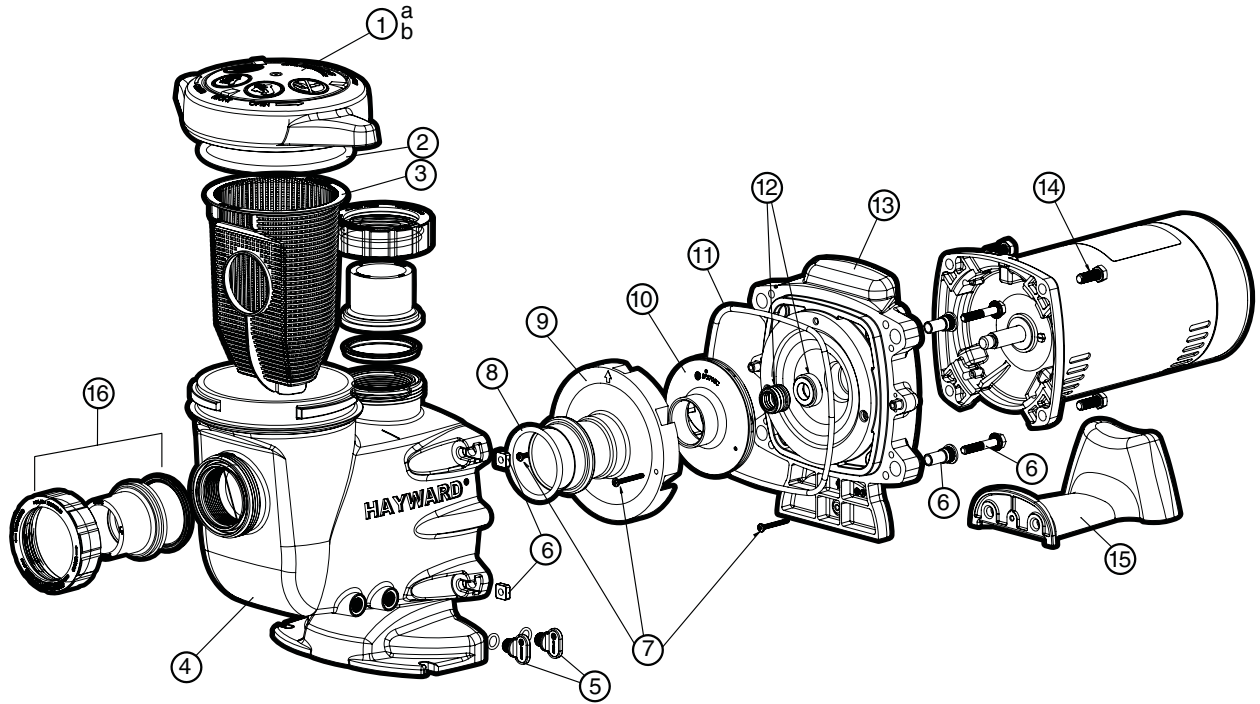


Part No.	Description	Ctn. Qty.	List Price
SPX1600AA	Pump Housing/Stainer, 1 1/2" x 1 1/2", w/Drain Plugs	1	\$196.89
SPX1620AA	Pump Housing/Stainer, 2" x 2", w/Drain Plugs	1	199.75
SPX1600T	Housing Gasket	10	6.72
SPX1600R	Diffuser Gasket	10	2.89
SPX1600TRA	Seal Assembly Kit (includes Seal Assembly, Housing and Diffuser Gaskets)	10	24.43
SPX1600D	Strainer Cover, clear	10	42.40
SPX1600DB	Strainer Cover for Biguanide Sanitizers <b>NOT</b> Pressure Testable	10	42.40
SPX1600S	Strainer Cover Gasket	20	7.92
SPX1600M	Basket	20	10.98
SPX1600PN	Hand Knob Kit (includes Swivel Nut and Hand Knob)	10	10.23
SPX1600V	1/4" Drain Plug (1991 and prior)	25	1.52
SPX1700FG	1/4" Drain Plug w/Gasket (1992 and later)	10	3.17
SPX2600G1	Mounting Foot w/Adapter and Screws	10	9.15
SPX1600Z52	Mounting Foot Cap Screw (Set of 2 – 1995 and prior, 2 sets required)	1	3.66
SPX1600Z2	Seal Assembly	10	15.84
SPX1600F5	Motor Mounting Plate	10	30.97
SPX1600Z4	Housing Cap Screw	10	3.66
SPX0125Z44	Motor Cap Screw (Set of 4)	1	6.72
SPX0125F	Slinger	10	2.59
SPX2600B	Diffuser, for 1/2 thru 2 H.P.	1	24.72
SPX1616B	Diffuser, for 2 1/2 H.P. only	1	29.55
SPX2600E5	Seal Plate, 1/2 thru 2 H.P.	10	32.95
SPX1611E5	Seal Plate, for 2 1/2 H.P. only	10	39.96

#### Parts listed below must be ordered for specific model & H.P.:

SPX2600C	Impeller, for 1/2 H.P.	10	\$24.08
SPX2605C	Impeller, for 3/4 H.P.	10	23.49
SPX2607C	Impeller, for 1 H.P.	10	24.48
SPX2610C	Impeller, for 1 1/2 H.P.	10	25.12
SPX2615C	Impeller, for 2 H.P.	1	30.97
SPX1621C	Impeller, for 2 1/2 H.P.	1	38.56
SPX1600Z1M	Motor, 1/2 H.P., Threaded Shaft (Single Phase, 60 Cycle 115V)	1	260.15
SPX1605Z1M	Motor, 3/4 H.P., Threaded Shaft (Single Phase, 60 Cycle 115/230V)	1	291.11
SPX1607Z1M	Motor, 1 H.P., Threaded Shaft (Single Phase, 60 Cycle 115/230V)	1	333.48
SPX1610Z1M	Motor, 1 1/2 H.P., Threaded Shaft (Single Phase, 60 Cycle 115/230V)	1	375.83
SPX1615Z1M	Motor, 2 H.P., Threaded Shaft (Single Phase, 60 Cycle 115/230V)	1	470.82
SPX1620Z1M	Motor, 2 1/2 H.P., Threaded Shaft (Single Phase, 60 Cycle 230V)	1	584.40

Parts for Pump Models: SP2705X7, SP2707X10/2, SP2710X15/2, SP2715X20/2



Ref. No.	Part No.	Description	Ctn. Qty.	List Price
1a	SPX2700DLS	Strainer Cover Kit (includes Strainer Cover, Lock-Ring, O-Ring)	10	\$54.77
1b	SPX2700DLSB	Strainer Cover Kit for Biguanide Sanitizers (includes Strainer Cover, Lock-Ring, O-Ring) <b>NOT</b> Pressure Testable	10	54.77
2	SPX2700Z4	Strainer Cover O-Ring	10	9.83
3	SPX2700M	Strainer Basket	15	11.24
4	SPX2700AA	Pump Strainer Housing (includes Strainer Cover Assembly, Basket and Drain Plugs)	1	246.84
5	SPX4000FG	Drain Plug with O-Ring	10	3.05
6	SPX2700ZPAK	Hardware Pack (includes 4 Housing Bolts, Seal-Plate, Spacers and Square Nuts)	10	28.78
7	SPX2700Z3	Diffuser Screws (3 per)	1	4.28
8	SX220Z2	Diffuser O-Ring	10	7.47
9	SPX2700B	Diffuser	1	24.77
11	GMX600F	Housing O-Ring	10	11.01
12	SPX2700SA	Shaft Seal Assembly	10	16.47
13	SPX2700E	Seal Plate	5	31.68
14	SPX3200Z5	Motor Bolt	1	6.75
15	SPX2700G	Motor Support	1	28.59
<b>Optional</b>				
16	SPX2700UNKIT	Union Connector Kit (includes 2 Nuts, Connectors, Gaskets)	1	\$31.89
<b>Parts listed below must be ordered for specific model &amp; H.P.</b>				
10	SPX2700C	Impeller for 3/4 H.P.	10	\$24.08
10	SPX2707CM	Impeller for 1 H.P.	10	23.14
10	SPX2710CM	Impeller for 1 1/2 H.P.	10	24.04
10	SPX2710C	Impeller for 2 H.P.	10	24.04
<b>Motors</b>	SPX2705Z1M	Motor, 3/4 HP, Threaded Shaft (Single Phase, 60 Cycle, 115/230V)	1	279.92
	SPX2707Z1M	Motor, 1 HP, Threaded Shaft (Single Phase, 60 Cycle, 115/230V)	1	320.65
	SPX2710Z1M	Motor, 1 1/2 HP, Threaded Shaft (Single Phase, 60 Cycle, 115/230V)	1	361.37
	SPX2715Z1ME	Motor, 2 HP, Threaded Shaft (Single Phase, 60 Cycle, 115/230V)	1	508.05
	SPX2707Z2M	Motor, 1 HP, 2-Speed, Threaded Shaft (Single Phase, 60 Cycle, 230V)	1	697.55
	SPX2710Z2M	Motor, 1 1/2 HP, 2-Speed, Threaded Shaft (Single Phase, 60 Cycle, 230V)	1	746.92
	SPX2715Z2M	Motor, 2 HP, 2-Speed, Threaded Shaft (Single Phase, 60 Cycle, 230V)	1	850.78

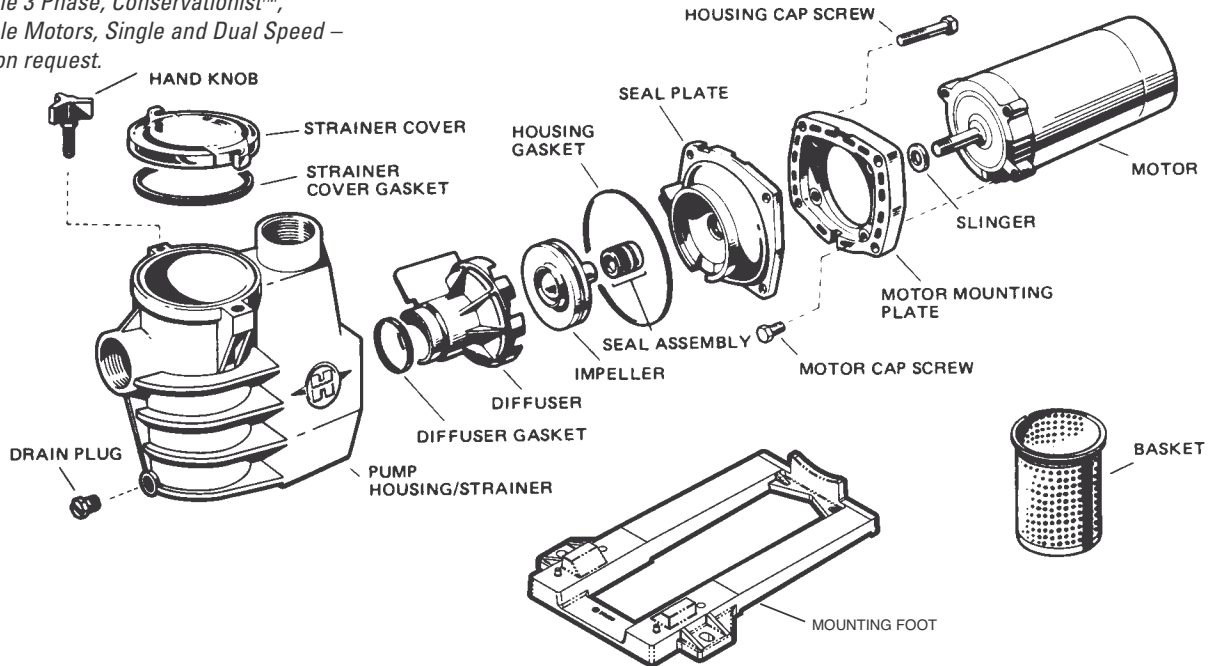


# Max-Flo™

## SP1800X PUMP SERIES (MAX-RATED) REPLACEMENT PARTS

### Parts for Pump Models: SP1800X5, 1805X7, 1807X10, 1808X10, 1810X15, 1811X15

NOTE: 60 Cycle 3 Phase, Conservationist™, 50 Cycle Motors, Single and Dual Speed – Price on request.



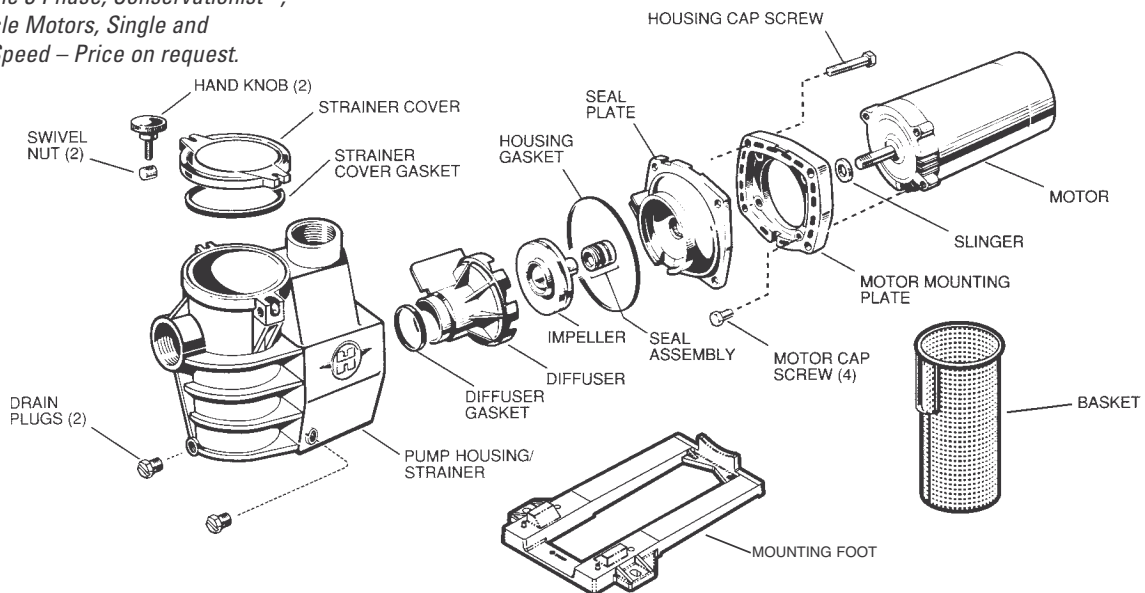
Part No.	Description	Ctn. Qty.	List Price
SPX2800AAC	Complete Housing Conversion Kit. Includes housing, strainer cover and gasket, basket, round hand knobs (2), and swivel nuts (2)	1	\$215.75
SPX1600T	Housing Gasket	10	6.72
SPX1600R	Diffuser Gasket	10	2.89
SPX1600TRA	Seal Assembly Kit (includes Seal Assembly, Diffuser and Housing Gaskets)	10	24.43
SPX1250LA	Strainer Cover, clear Lexan® w/Gasket	10	29.50
SPX1250LAB	Strainer Cover, w/Gasket for Biguanide Sanitizers <b>NOT</b> Pressure testable	10	28.37
SPX0125T	Strainer Cover Gasket	10	4.73
SPX1250RA	Basket	1	8.20
SPX1250Z4	Hand Knob	10	9.67
SPX1600V	1/4" Drain Plug (1991 and prior)	25	1.52
SPX1700FG	1/4" Drain Plug w/Gasket	10	3.17
SPX2600G1	Mounting Foot w/Adapter and Screws	10	9.15
SPX1600Z52	Mounting Foot Cap Screw (Set of 2 – 2 Sets Required)	1	3.66
SPX1600Z2	Seal Assembly	10	15.84
SPX1600F5	Motor Mounting Plate	2	30.97
SPX1600Z4	Housing Cap Screw	10	3.66
SPX0125Z44	Motor Cap Screw (Set of 4)	1	6.72
SPX0125F	Slinger	10	2.59

Med. Hd.	High Hd.	Parts listed below must be ordered for specific model & H.P.:	Ctn. Qty.	List Price
SPX2800CKIT*	—	1/2 H.P. Drive Train Upgrade	1	\$127.48
SPX2805CKIT*	—	3/4 H.P. Drive Train Upgrade	1	128.82
SPX2807CKIT*	—	1 H.P. Drive Train Upgrade	1	130.05
SPX2810CKIT*	—	1 1/2 H.P. Drive Train Upgrade	1	131.46
SPX2815CKIT*	—	2 H.P. Drive Train Upgrade	1	135.25
(All above kits include: Impeller, Diffuser, Seal Plate, Housing Gasket, Diffuser Gasket and Motor Mounting Plate)				
—	SPX1600SKIT2	Seal Plate – 1/2, 3/4, 1, 1 1/2, 2 H.P.	10	68.94
SPX1600Z1M	—	Motor, 1/2 H.P., Threaded Shaft (Single Phase, 60 Cycle 115V)	1	260.15
SPX1605Z1M	—	Motor, 3/4 H.P., Threaded Shaft (Single Phase, 60 Cycle 115/230V)	1	291.11
SPX1607Z1M	—	Motor, 1 H.P., Threaded Shaft (Single Phase, 60 Cycle 115/230V)	1	333.48
SPX1610Z1M	—	Motor, 1 1/2 H.P., Threaded Shaft (Single Phase, 60 Cycle 115/230V)	1	375.83

\*NOTE: For pumps with an "SP1800X—" part number (manufactured before 1983), the use of these new kits (SPX2800CKIT – SPX2815CKIT) will upgrade the old pump to our current "SP2800X—" series. This will improve GPM, reduce noise and provide slightly better energy efficiencies. All individual components included in kits are not available.

**Parts for Pump Models: SP2800X5, SP2805X7, SP2807X10, SP2810X15, SP2815X20**

*NOTE: 60 Cycle 3 Phase, Conservationist™, 50 Cycle Motors, Single and Dual Speed – Price on request.*



Part No.	Description	Ctn.	Qty.	List Price
SPX2800AA*	Pump Housing/Strainer accepts Swing Away Knobs, 1 1/2" x 1 1/2", w/Drain Plugs (1995 and prior)	1		\$183.91
SPX1250LA	Strainer Cover, clear Lexan® w/Gasket (Fits All Models)	10		29.50
SPX1250LAB	Strainer Cover, w/Gasket for Biguarnide Sanitizers <b>NOT</b> Pressure testable	10		28.37
SPX0125T	Strainer Cover Gasket	10		4.73
SPX1250RA	Basket (1994 and prior)	10		8.20
SPX2800M	Basket (1995)	10		8.24
SPX1250Z4	Hand Knob, Three Pointed (1994 and prior)	10		9.67
SPX1600PN	Hand Knob Kit (1995, includes Swivel Nut and Hand Knob)	10		10.23
SPX1600T	Housing Gasket	10		6.72
SPX1600R	Diffuser Gasket	10		2.89
SPX1600TRA	Seal Assembly Kit (includes Seal Assembly, Housing and Diffuser Gaskets)	10		24.43
SPX1600V	1/4" Drain Plug (1991 and prior)	25		1.52
SPX1700FG	1/4" Drain Plug w/Gasket	10		3.17
SPX2600G1	Mounting Foot w/Adapter and Screws	10		9.15
SPX1600Z52	Mounting Foot Cap Screw (Set of 2 – 1995 and prior, 2 sets required)	1		3.66
SPX1600Z2	Seal Assembly	10		15.84
SPX1600F5	Motor Mounting Plate	2		30.97
SPX1600Z4	Housing Cap Screw	10		3.66
SPX0125Z44	Motor Cap Screw (Set of 4)	1		6.72
SPX0125F	Slinger	10		2.59
SPX2800B	Diffuser, for all H.P.'s	1		25.77
SPX2600E5	Seal Plate	1		32.95

**Housing Conversion Kit —To Swing Away Knob Style**

SPX2800AAC*	Complete Housing Conversion Kit. Includes housing, strainer cover and gasket, basket, round hand knobs (2), and swivel nuts (2).	1		\$215.75
-------------	--	---	--	----------

**Parts listed below must be ordered for specific model & H.P.:**

SPX2600C	Impeller, for 1/2 H.P. Max Rated	10		\$24.08
SPX2605C	Impeller, for 3/4 H.P. Max Rated	10		23.49
SPX2607C	Impeller, for 1 H.P. Max Rated	10		24.48
SPX2610C	Impeller, for 1 1/2 H.P. Max Rated	10		25.12
SPX2615C	Impeller, for 2 H.P. Max Rated	1		30.97
SPX1600Z1M	Motor, 1/2 H.P., Threaded Shaft (Single Phase, 60 Cycle 115V)	1		260.15
SPX1605Z1M	Motor, 3/4 H.P., Threaded Shaft (Single Phase, 60 Cycle 115/230V)	1		291.11
SPX1607Z1M	Motor, 1 H.P., Threaded Shaft (Single Phase, 60 Cycle 115/230V)	1		333.48
SPX1610Z1M	Motor, 1 1/2 H.P., Threaded Shaft (Single Phase, 60 Cycle 115/230V)	1		375.83
SPX1615Z1M	Motor, 2 H.P., Threaded Shaft (Single Phase, 60 Cycle 115/230V)	1		470.82
SP2800TG	Pressure Test Gasket	5		—

\*SP2800AAC is a complete substitute for SPX2800AA.

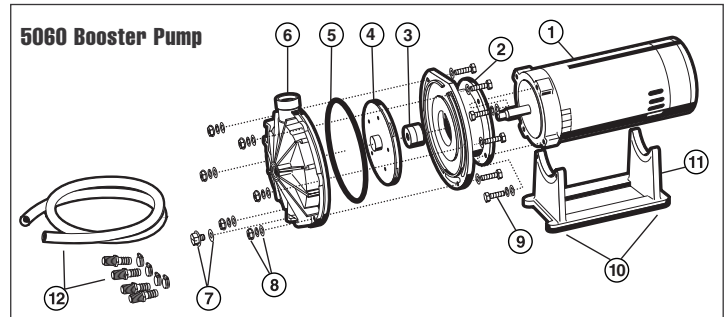
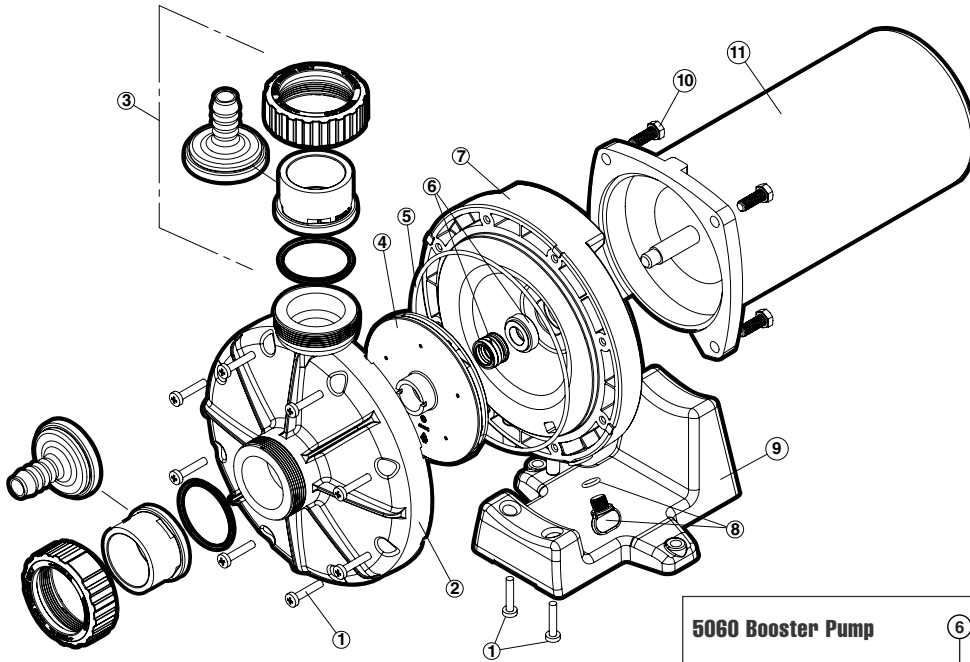


# Booster Pump

6060, 5060 BOOSTER PUMP REPLACEMENT PARTS

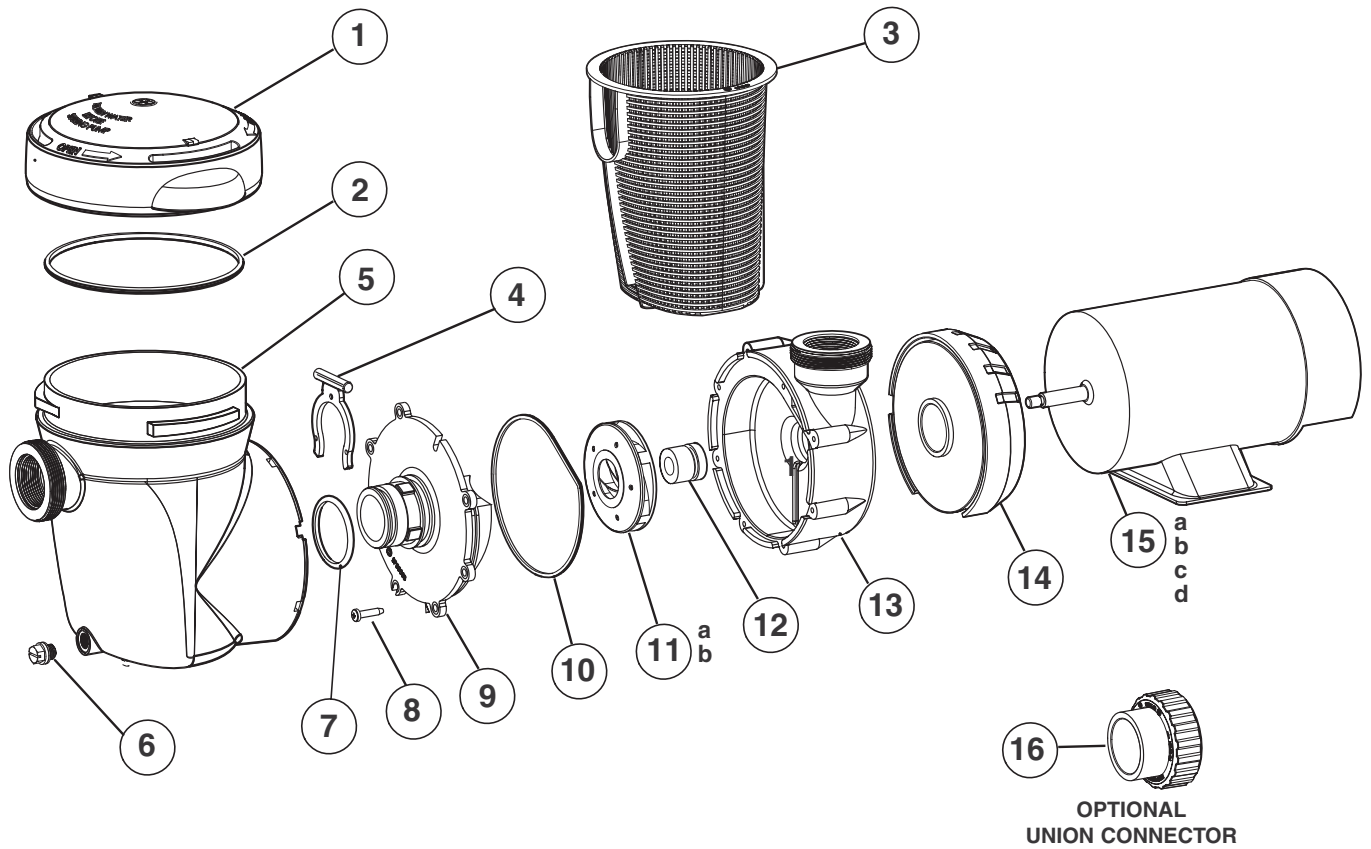
## Parts for Booster Pump Models: 6060, 5060

Pumps



Ref. No.	Part No.	Description	Ctn. Qty.	List Price
<b>6060 Booster Pump Parts</b>				
1	AX6060Z1	Screws	10	\$6.86
2	AX6060A	Volute	1	42.13
3	AX6060UNPAK	Union Fittings Kit (2 Unions w/O-Rings)	5	25.91
4	AX6060C	Impeller Assembly	5	25.69
5	AX6060S	O-Ring	50	11.32
6	SPX2700SA	Seal Assembly	10	16.47
7	AX6060E	Seal Plate Assembly (Seal Plate w/drain plug and O-Ring)	1	42.32
8	SPX4000FG	Drain Plug w/O-Ring	200	3.05
9	AX6060G	Motor Support	1	47.57
10	SPX3200Z5	Motor Bolts	50	6.75
11	SPX2707Z1M	Motor (3/4 HP, 60 Cycles)	1	320.65
<b>5060 Booster Pump Parts</b>				
1	AX5060M	Motor (3/4 HP 60 Cycles)	1	\$318.00
2	AX5060B2	Seal Plate (2004 and beyond)	1	42.72
3	SPX1250XZ2C	Spring Seal w/Seat	1	25.01
4	AX5060C	Impeller Assembly	1	25.95
5	AX5060J	Ribbon Gasket (2004 and beyond)	1	11.43
6	AX5060A	Volute 3/4 NPT-F	1	42.54
7	SPX1700FG	Pipe Plug w/Gasket	1	3.17
8	AX5060Z2A1	Nut, Bolt and Washer Kit (6 pack)	6	6.86
9	AX5060RSA1	Motor Bolt w/Washer Kit (4 pack)	4	9.15
10	AX5060P	Stem Bumper	4	4.58
11	AX5060D	Base	1	48.03
12	AX5060HKIT	Booster Pump Hose Kit	1	41.95

**Parts for Pump Models: SP1591, SP1592, SP1593 Series**



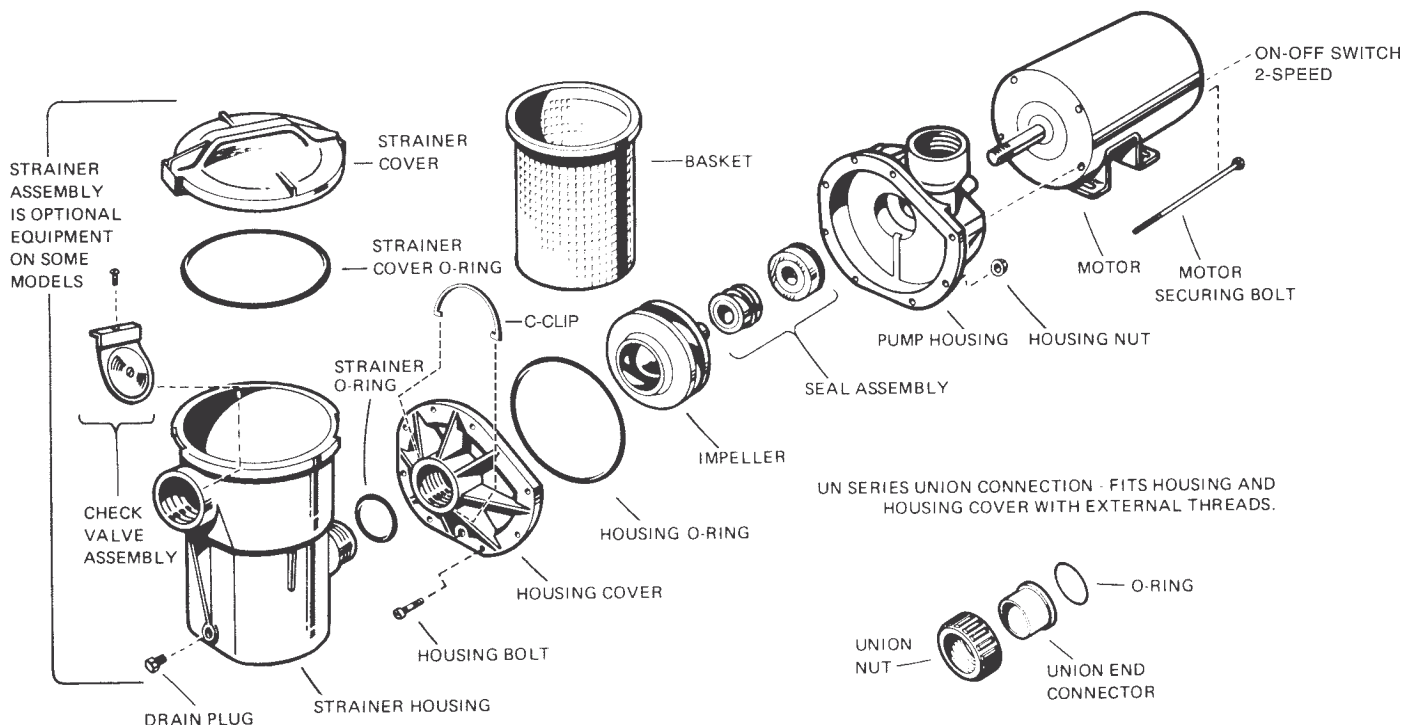
Ref. No.	Part No.	Description	Ctn. Qty.	No. Req'd	List Price
1	SPX5500D	Strainer Cover w/Lock Ring and 'O' Ring	10	1	<b>\$53.94</b>
2	SPX5500H	Strainer Cover 'O' Ring	10	1	<b>5.52</b>
3	SPX5500F	Strainer Basket	10	1	<b>13.24</b>
4	SPX5500G	Strainer Retainer/'C' Clip	10	1	<b>5.80</b>
5	SPX5500C	Strainer Housing	1	1	<b>61.35</b>
6	SPX1700FG	Drain Plug w/Gasket	10	1	<b>3.17</b>
7	SPX5500K	Strainer 'O' Ring	10	1	<b>2.33</b>
8	SPX0714Z48	Screw, #14 x 1/4" Type B Pan Head	80	1	<b>17.06</b>
9	SPX5500B	Pump Cover	4	1	<b>46.86</b>
10	SPX0710XZ5	Housing 'O' Ring	10	1	<b>7.63</b>
11a	SPX1500F	Impeller Assembly (reference part number on original equipment)	10	1	<b>21.44</b>
11b	SPX1500L	Impeller Assembly (reference part number on original equipment)	25	1	<b>22.15</b>
12	SPX1500KA	Shaft Seal Assembly	10	1	<b>21.04</b>
13	SPX5500A	Pump Housing	4	1	<b>55.38</b>
14	SPX5500E	Shroud Assembly	4	1	<b>25.48</b>
15a	SPX1510Z1E	3/4 H.P. Single Speed Motor w/Switch, Flex 48	1	1	<b>256.13</b>
15b	SPX1510Z1XE	1 H.P. Single Speed Motor w/Switch, Flex 48	1	1	<b>264.30</b>
15c	SPX1515Z1E	1 1/2 H.P. Single Speed Motor w/Switch, Flex 48	1	1	<b>306.65</b>
15d	SPX1520Z1ESC	2 H.P. Single Speed Motor w/Switch, Flex 48	1	1	<b>348.07</b>
15e	SPX1524Z1ESC	2 1/2 H.P. Single Speed Motor w/Switch, Flex 48	1	1	<b>370.22</b>
15f	SPX1510Z24XE	1 H.P. Two Speed Motor w/Switch, Flex 48	1	1	<b>260.15</b>
15g	SPX1515Z2ES	1 1/2 H.P. Two Speed Motor w/Switch, Flex 48	1	1	<b>376.89</b>
16 (optional)	SP1500UNPAK2	Union Connector Assembly	50	2	—



# Power-Flo LX™

## SP1580 PUMP SERIES REPLACEMENT PARTS

Parts for Pump Models: SP1575LX, SP1580, SP1580X15, SP1520UN, EP1500LX and SP1680 Series



Part No.	Description	Ctn.	Qty.	List Price
SPX1580AAP	Pump Housing	4		\$56.14
SPX1580BP	Housing Cover	2		46.63
SPX1500KA	Seal Assembly w/Cup	10		21.04
SPX1580Z1	Housing O-Ring	10		7.60
SPX1500N2	Housing Bolt, No. 10-24 Hex. Head	20		1.38
SPX1500Y2	Housing Nut, No. 10-24 Hex.	20		1.21
SPX1500F	Impeller (refer to part number on original equipment)	10		21.44
SPX1500L	Impeller (refer to part number on original equipment)	25		22.15
SPX1500CAP	Strainer Housing w/Basket	1		53.69
SPX1500D2A	Strainer Cover w/O-Ring	10		31.83
SPX1500P	Strainer Cover O-Ring	10		5.52
SPX1250RA	Strainer Basket (1992 and prior)	10		8.20
SPX1500LX	Strainer Basket – Large, 4 1/2" x 7"	10		9.94
SPX1500RA	Check Valve Assembly (1990 and prior)	10		15.91
SPX1500W	Strainer O-Ring	10		2.59
SPX1700FG	Drain Plug w/Gasket	10		3.17
SPX1500X1	Shim for vertical discharge (1999 and prior)	10		1.38
SPX1515C	Strainer Housing C-Clip (2000-2003)	10		5.57
SPX1515CN	Strainer Housing C-Clip (2004- )	10		5.75

**SP1520UN LX Parts same as SP1580 Series except as listed below:**

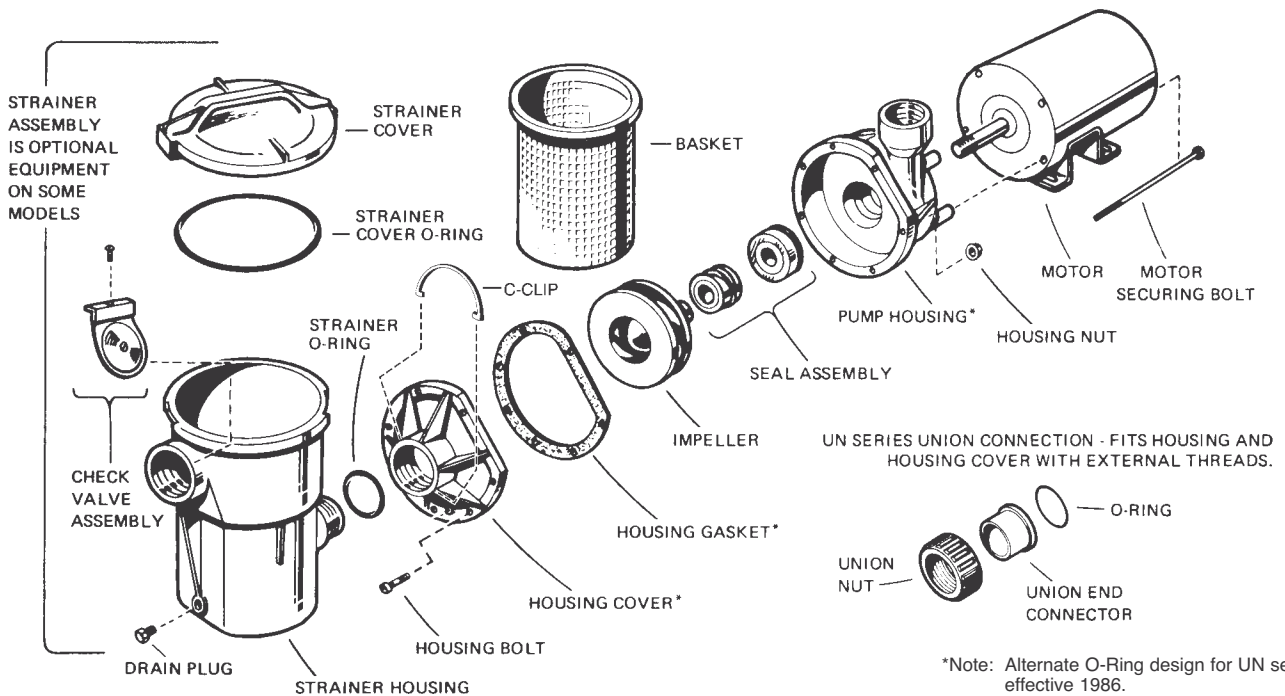
SPX1580AAT	Pump Housing w/External Thread	4		\$56.14
SPX1520BT	Housing Cover w/External Thread, 1, 1 1/2 and 2 H.P.	2		48.49
SPX1500LH	1 H.P. Hi-Performance Impeller	10		23.89
SPX1580CH	1 1/2 H.P. Hi-Performance Impeller	10		24.89
SPX1525CH	2 H.P. Hi-Performance Impeller	10		26.81
SPX3005R	Impeller Ring – for Hi-Performance Impellers	1		3.99

**SP1680 Series Parts same as SP1580 except as listed below\*:**

SPX1680GA*	Basket	10		\$14.06
------------	--------	----	--	---------

\*Limited Quantity Available.

### Parts for Pump Models: SP1500, SP1510, SP1511, SP1550, SP1575, EP1500 Series; and Pump Strainer SP1516



Part No.	Description	Ctn. Qty.	List Price
SPX1500AA	Pump Housing	4	\$41.95
SPX1500B	Housing Cover	2	30.79
SPX1500KA	Seal Assembly w/Cup	10	21.04
SPX1500H	Housing Gasket	10	6.83
SPX1500N2	Housing Bolt, No. 10-24 Hex. Head	20	1.38
SPX1500Y2	Housing Nut, No. 10-24 Hex.	20	1.21
SPX1500E	Impeller (refer to part number on original equipment)	25	22.02
SPX1500F	Impeller (refer to part number on original equipment)	10	21.44
SPX1500CAP	Strainer Housing w/Basket	1	53.69
SPX0710Z3	Strainer Cover O-Ring – for solid cover (1978 and prior)	10	6.86
SPX1500D2A	Strainer Cover, w/O-Ring	10	31.83
SPX1500P	Strainer Cover O-Ring	10	5.52
SPX1250RA	Strainer Basket (1992 and prior)	10	8.20
SPX1500LX	Strainer Basket – Large, 4 1/2" x 7"	10	9.94
SPX1500RA	Check Valve Assembly (1990 and prior)	10	15.91
SPX1500W	Strainer O-Ring	10	2.59
SPX1700FG	Drain Plug w/Gasket	10	3.17
SPX1500X1	Shim for vertical discharge (1999 and prior)	10	1.38
SPX1515C	Strainer Housing C-Clip (2000-2003)	10	5.57
SPX1515CN	Strainer Housing C-Clip (2004- )	10	5.75

#### SP1500UN Parts same as SP1500 Series except as listed below:

SPX1500AAT	Pump Housing w/External Thread (1985 and prior)	4	\$48.78
SPX1501AAT	Pump Housing w/External Thread – O-Ring style	4	48.78
SPX1500B1T	Housing Cover w/External Thread (1985 and prior)	2	35.17
SPX1501BT	Housing Cover w/External Thread – O-Ring style	2	33.07
SPX1500L	Impeller, 1 H.P.	10	22.15
SPX1082Z5B	O-Ring, Pump Housing	10	6.73
SPX1500JS	Union End Connector – Socket	5	7.60
SPX1500JT	Union End Connector – Threaded	5	10.10
SPX1500G	Union Nut	10	7.60
SPX1495Z1	O-Ring, End Connector	10	2.03

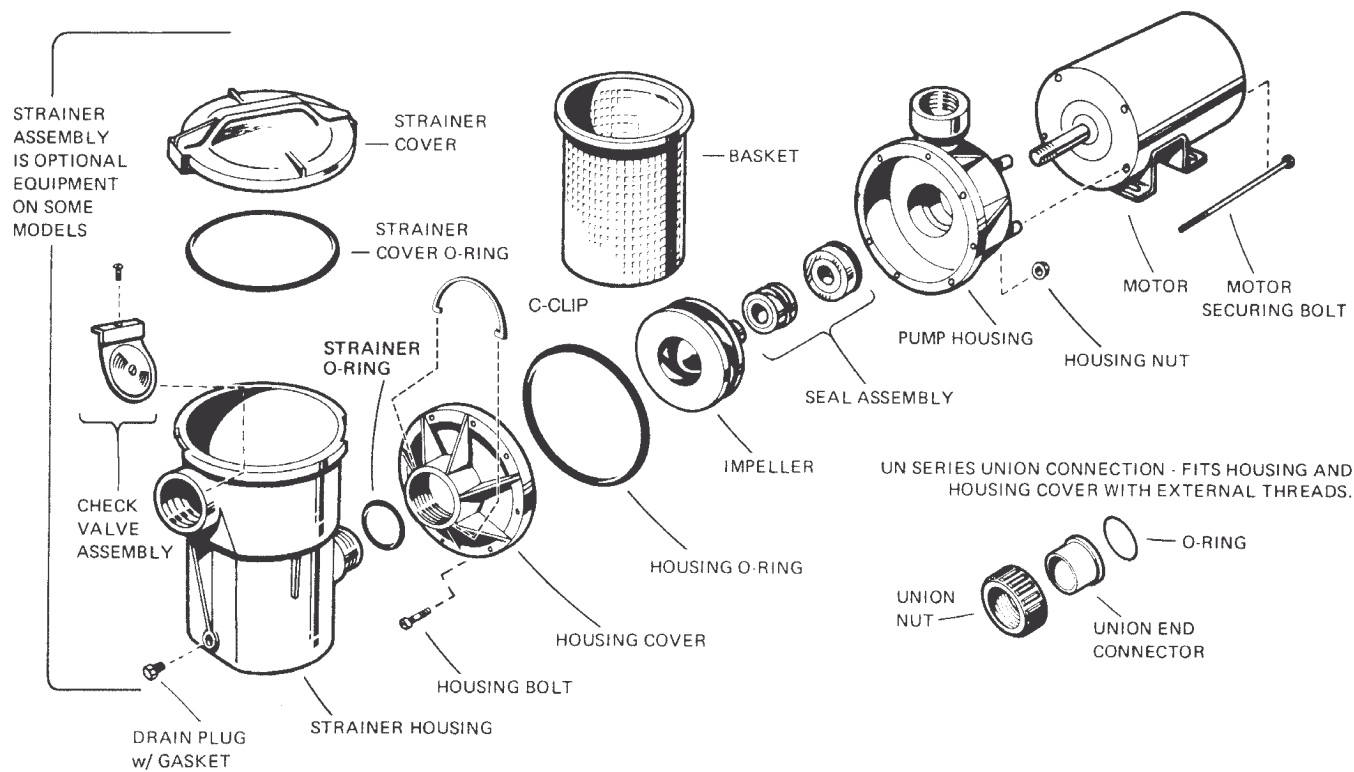


# Power-Flo II™

## SP1700 PUMP SERIES REPLACEMENT PARTS

Parts for Pump Models: SP1705, SP1710, SP1711, SP1720, SP1725, SP1750, SP1775, SP1780

Pumps

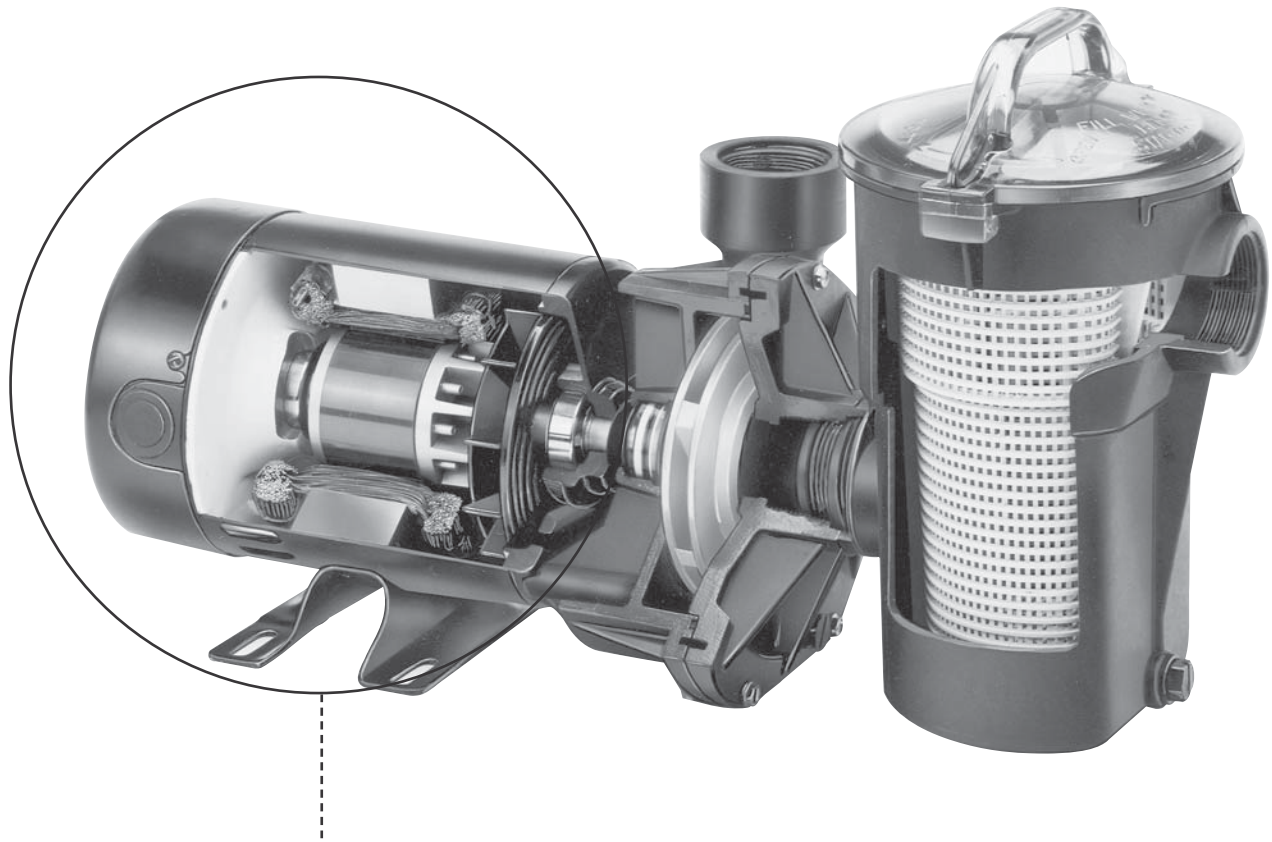


Part No.	Description	Ctn. Qty.	List Price
SPX1705AA	Pump Housing	4	\$50.65
SPX1705B	Housing Cover w/integral diffuser (SP1700 Series, Power-Flo II)	1	39.85
SPX1500KA	Seal Assembly w/Cup	10	21.04
SPX1720KA	Seal Assembly (Power-Flo II, 1 and 1 1/2 H.P.)	10	25.77
SPX1705Z1	Housing O-Ring Gasket	10	9.64
SPX1500N2	Housing Bolt, No. 10-24 Hex. Head	20	1.38
SPX1500Y2	Housing Nut, No. 10-24 Hex.	20	1.21
SPX1705C	Impeller, 1/2 H.P. (SP1700 Series, Power-Flo II)	10	23.13
SPX1707C	Impeller, 3/4 H.P. (SP1700 Series, Power-Flo II)	10	23.89
SPX1711C	Impeller, 1 H.P.	10	24.59
SPX2607C	Impeller (Power-Flo III, 1 H.P.)	10	24.48
SPX2610C	Impeller (Power-Flo III, 1 1/2 H.P.)	10	25.12
SPX1500CAP	Strainer Housing w/Basket	1	53.69
SPX1500D2A	Strainer Cover w/O-Ring	10	31.83
SPX1500P	Strainer Cover O-Ring	10	5.52
SPX1250RA	Strainer Basket	10	8.20
SPX1500LX	Strainer Basket – Large, 4 1/2" x 7" (1992)	10	9.94
SPX1500RA	Check Valve Assembly (1992 and prior)	10	15.91
SPX1500W	Strainer O-Ring	10	2.59
SPX1700FG	Drain Plug w/Gasket – SP1700 Series Housing	10	3.17
SPX1500X1	Shim for vertical discharge (1999 and prior)	10	1.38
SPX1515C	Strainer Housing C-Clip (2000-2003)	10	5.57
SPX1515CN	Strainer Housing C-Clip (2004- )	10	5.75

**SP1700UN; SP1700 SD Series Parts same as SP1700 Series except as listed below:**

SPX1705AAT*	Pump Housing w/External Thread (Power-Flo II, III)	4	\$57.02
SPX1705BD*	Housing Cover w/Contour Inlet – Self-Draining (SD)	4	63.15
SPX1500JS	Union End Connector – Socket	5	7.60
SPX1500JT	Union End Connector – Threaded	5	10.10
SPX1500G	Union Nut	10	7.60
SPX1495Z1	O-Ring, End Connector	10	2.03

\* Limited Quantity Available.



**Parts for Power-Flo Pump Motors for Pumps listed on pages 124 and 125**

Part No.	Description	Ctn. Qty.	List Price
SPX1500Z1E	Motor, 1/2 H.P. Single Phase, 60 Cycle	1	<b>\$246.72</b>
SPX1510Z1E	Motor, 3/4 H.P. Single Phase, 60 Cycle	1	<b>256.13</b>
SPX1510Z1XE	Motor, 1 H.P. Single Phase, 60 Cycle	1	<b>264.30</b>
SPX1515Z1E	Motor, 1 1/2 H.P., Single Phase, 60 Cycle	1	<b>306.65</b>
SPX1520Z1ESC	Motor, 2 H.P. Single Phase, 60 Cycle	1	<b>348.07</b>
SPX1510Z2E	Dual Speed Motor, 3/4 H.P., Single Phase, 60 Cycle	1	<b>342.87</b>
SPX1510Z2XE	Dual Speed Motor, 1 H.P., Single Phase, 60 Cycle	1	<b>351.06</b>
SPX1515Z24EC	Dual Speed Motor, 1 1/2 H.P., Single Phase, 60 Cycle	1	<b>388.21</b>
SPX1520Z2ES	Dual Speed Motor, 2 H.P., Single Phase, 60 Cycle	1	<b>411.52</b>
SPX1500Z15S	Motor Canopy, Flex 48, w/On-OFF Switch	1	<b>40.66</b>
SPX1500Z15T	Motor Canopy, Flex 48 2-Speed, w/3-Position Switch	1	<b>43.06</b>
SPX1500S8	Motor Switch – On-OFF for Flex 48	10	<b>16.87</b>
SPX1500S9	Motor Switch – 3 Position for 2 Speed Flex 48	10	<b>40.71</b>
SPX1250WA	Motor Cord 14/3 6 ft.	10	<b>16.18</b>
SPX1550WA1	Motor Cord 12/3 3 ft. Twist Lock	10	<b>31.54</b>
SPX1540Z1E	Motor, 40 GPM, Single Phase, 60 Cycle	1	<b>245.78</b>