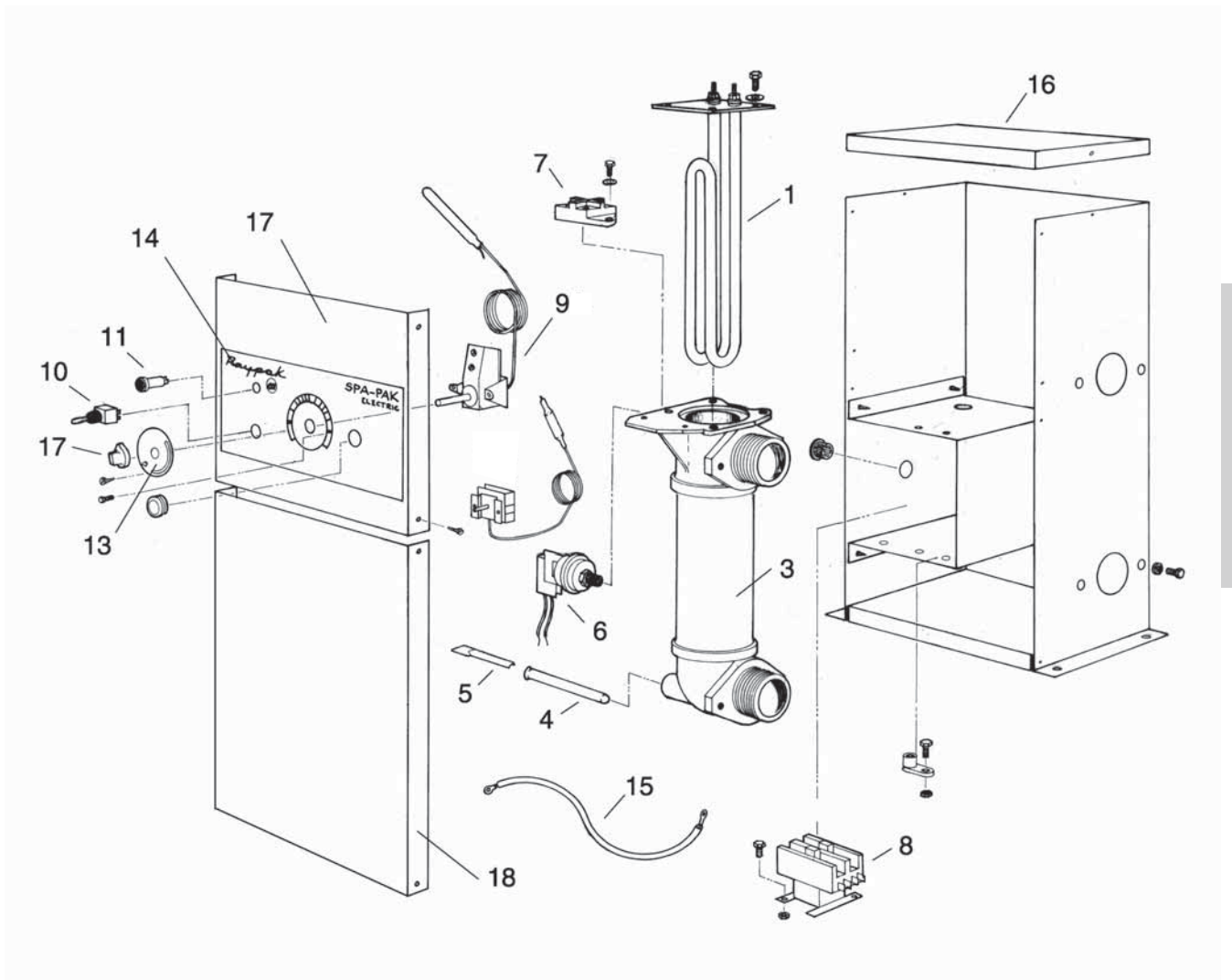


# ELS 552-2 AND 1102-2

DATE OF MANUFACTURE: 11-01-83 THRU CURRENT



PARTS - RESIDENTIAL

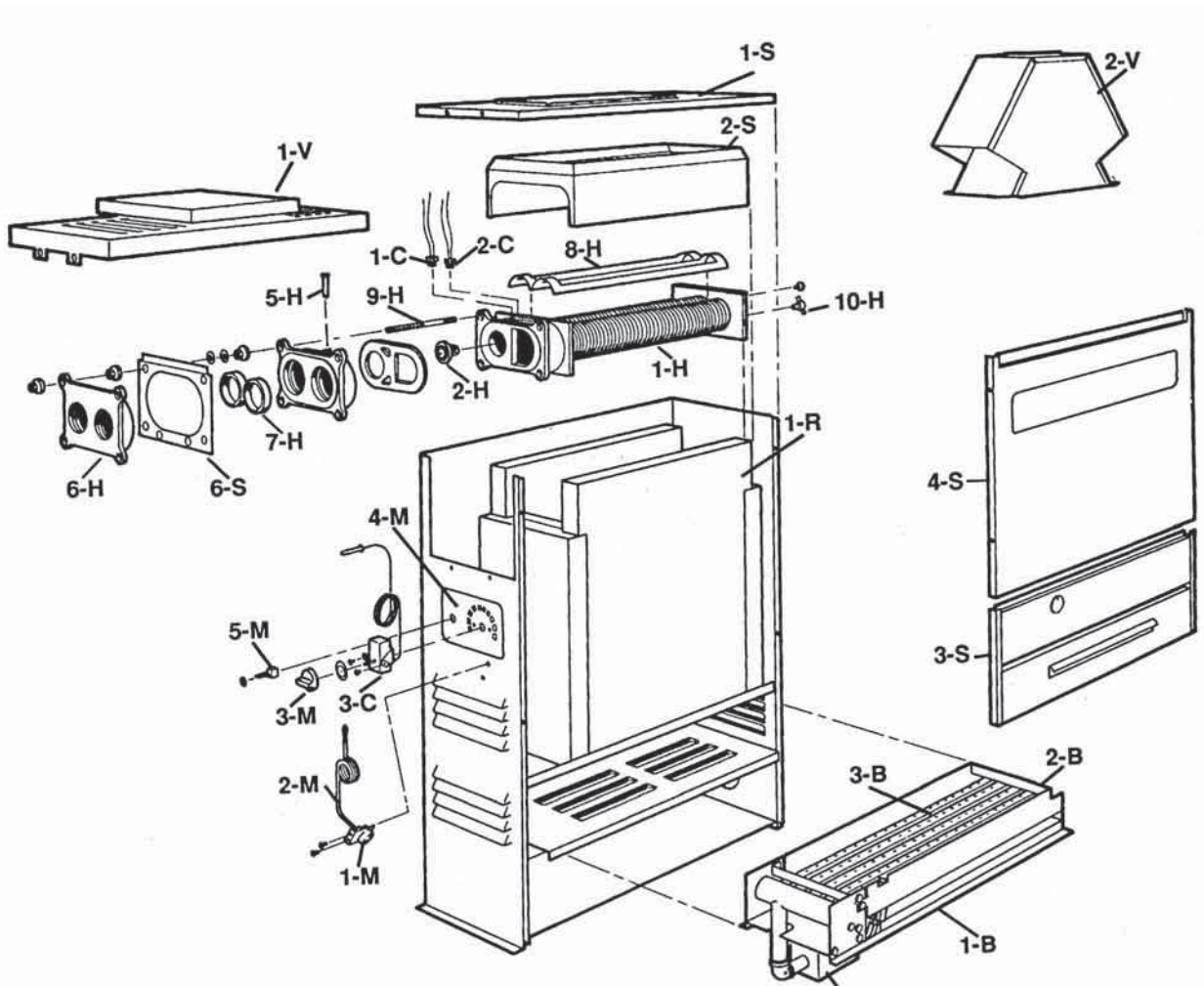
Reference  
IPL 9100.90

# ELS 552-2 AND 1102-2

PARTS - RESIDENTIAL

	PART DESCRIPTION	ELS 552-2	ELS 1102-2
1	Element	001801F	001802F
2	Element Gasket	800164	800164
3	Element Tube Assy.	001805F	001808F
4	Sensor Well	004087F	004087F
5	Well Retaining Clip	300203	300203
6	Pressure Switch	062237B	062237B
7	High Limit	001811F	001811F
8	Contactora	001813F	001813F
9	Thermostat Control (Honeywell)	003346F	003346F
10	Toggle Switch	650761	650761
11	Indicator Light	001812F	001812F
12	Knob	006885F	006885F
13	Knobstop	006886F	006886F
14	Dial Plate	900615	900615
15	Wire Kit (Complete)	012463F	012464F
16	Jacket Top	N/A	N/A
17	Upper Front Panel	N/A	N/A
18	Lower Front Panel	N/A	N/A

DATE OF MANUFACTURE: 11-01-82 THRU 12-31-84



PARTS - RESIDENTIAL

HONEYWELL MILLIVOLT PILOT

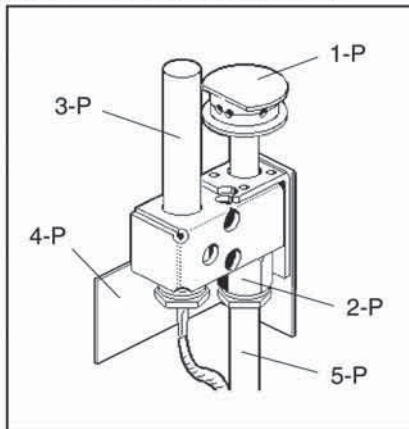


FIG # 8107.5

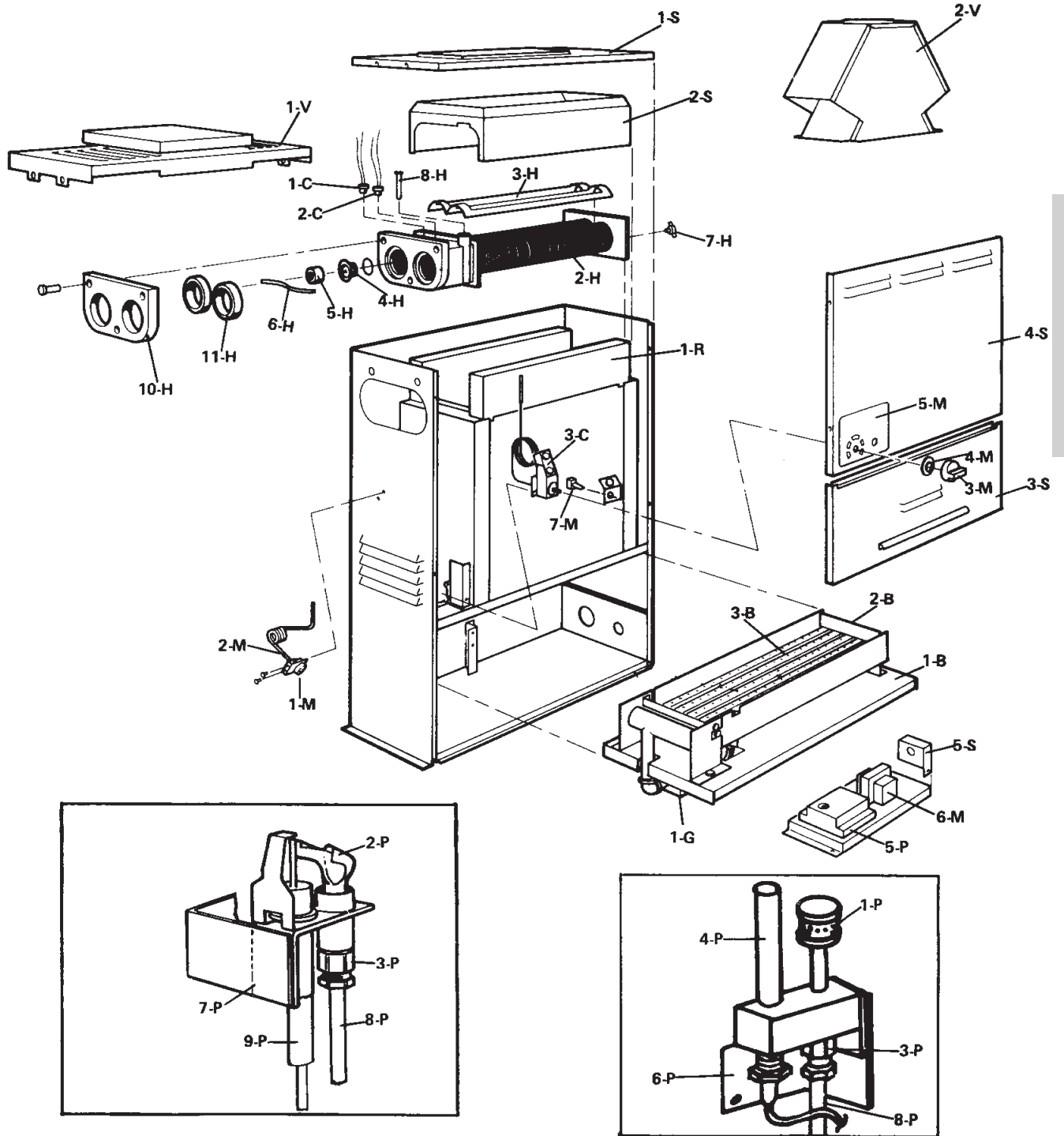
Reference  
IPL 9100.15

CALL OUT	DESCRIPTION	GEMINI	SPA-PAK
<b>B</b>	<b>BURNER</b>		
1-B	Burner Tray w/Burners (Sea Level)*	N/A	N/A
2-B	Burner Hold Down	N/A	N/A
3-B	Burner	301210/4	301210/4
4-B	Burner Orifice Nat. #51 (Sea Level)*	350080F/4	350080F/4
	Burner Orifice Pro. #59 (Sea Level)*	350350F/4	350350F/4
<b>C</b>	<b>CONTROLS</b>		
1-C	Hi Limit 135°F	600889B	600889B
2-C	Hi Limit 140°F	600890B	600890B
3-C	Thermostat Control	003346F	003346F
<b>G</b>	<b>GAS VALVE</b>		
1-G	Combination Valve 1/2" Nat.	003898F	003898F
	Combination Valve 1/2" Pro.	003899F	003899F
<b>H</b>	<b>HEAT EXCHANGER</b>		
1-H	Heat Exchanger	001612F	001612F
2-H	Unitherm Governor	600885	600885
3-H	U. G. Cap**	400734	400734
4-H	U. G. Spring**	850247	850247
5-H	Sensor Well	007211F	007211F
6-H	Inlet/Outlet Flange**	002432F	002432F
7-H	Flange Gasket	800013B	800013B
8-H	Baffle Kit	002531F	002531F
9-H	Bolt Kit	001475F	001475F
10-H	Drain Valve	500719	500719
<b>M</b>	<b>MISCELLANEOUS COMPONENTS</b>		
1-M	Pressure Switch	062237B	062237B
2-M	Pressure Switch Tube Assy.	003274F	003274F
3-M	Thermostat Knob	006885F	006885F
4-M	Dial Plate	N/A	N/A
5-M	Toggle Switch	650761	650761
<b>P</b>	<b>PILOT</b>		
1-P	Pilot Nat.	600525B	600525B
	Pilot Pro.	600575B	600575B
2-P	Pilot Orifice Nat.	003901F	003901F
	Pilot Orifice Pro.	003902F	003902F
3-P	Pilot Generator	600019B	600019B
4-P	Pilot Mounting Bracket	N/A	N/A
5-P	Pilot Tube	400275	400275
<b>R</b>	<b>REFRACTORY</b>		
1-R	Refractory Block Kit	001474F	001474F
<b>S</b>	<b>SHEETMETAL</b>		
1-S	Jacket Top	N/A	N/A
2-S	Flue Collector	002530F	002530F
3-S	Door Assy.	N/A	N/A
4-S	Upper Jacket Panel	N/A	N/A
6-S	Access Panel	N/A	N/A
<b>V</b>	<b>VENTING</b>		
1-V	Stackless Top Kit	N/A	N/A
2-V	Drafthood Kit	003722	003722
<b>CONVERSION KITS</b>			
	Nat. to Pro.	N/A	N/A
	Pro. to Nat.	N/A	N/A

\*FOR ALTITUDES ABOVE 2,000 FEET ABOVE SEA LEVEL, CONSULT THE FACTORY.

\*\*REPLACEMENT PARTS FOR NEW ONE PIECE INLET/OUTLET HEADER DESIGN.

DATE OF MANUFACTURE: 01-01-84 THRU 03-01-86



PARTS - RESIDENTIAL

Reference  
IPL 9100.151

CALL OUT	DESCRIPTION	SPA-PAK
<b>B</b>	<b>BURNER TRAY</b>	
1-B	Burner Tray Assy. w/Burners (Sea Level)*	N/A
2-B	Burner Hold Down	N/A
3-B	Burner	301210/4
4-B	Burner Orifice Nat.#51 (Not Shown)(Sea Level)*	350080/4
	Burner Orifice Pro.#59 (Not Shown)(Sea Level)*	350350/4
<b>C</b>	<b>CONTROLS</b>	
1-C	Hi Limit 135°F	600889B
2-C	Hi Limit 140°F	600890B
3-C	Thermostat Control	003346F
<b>G</b>	<b>GAS VALVES</b>	
1-G	Combination Valve 1/2" Nat.	003898F
	Combination Valve 1/2" Pro.	003899F
	Combination Valve 1/2" Nat. IID	003900F
<b>H</b>	<b>HEAT EXCHANGER</b>	
1-H	Heat Exchanger Assy.	001612F
2-H	Header/Tube Kit	N/A
3-H	Baffle Kit	N/A
4-H	Unitherm Governor	600885
5-H	U. G. Cap	400734
6-H	U. G. Spring	850247
7-H	Drain Valve	500719
8-H	Sensor Well	007211F
9-H	Bulb Retainer Clip (Not Shown)	300203
10-H	Inlet/Outlet Flange	002432F
11-H	Flange Gasket	800013B
<b>M</b>	<b>MISCELLANEOUS COMPONENTS</b>	
1-M	Pressure Switch	062237B
2-M	Pressure Switch Tube Assy.	003275F
3-M	Thermostat Knob	006885F
4-M	Knob Stop	006886F
5-M	Dial Plate Std.	N/A
	Dial Plate IID	N/A
6-M	Transformer (IID Unit)	006736F
7-M	Toggle Switch	650595
<b>P</b>	<b>PILOT</b>	
1-P	Pilot Nat.	600525B
	Pilot Pro.	600575B
2-P	Pilot Nat. IID	002003F
3-P	Pilot Orifice Nat.	003901F
	Pilot Orifice Pro.	003902F
	Pilot Orifice Nat. IID	003903F
4-P	Pilot Generator Standing	600019B
5-P	Ignition Control IID	004817B
6-P	Pilot Mounting Bracket Standing	N/A
7-P	Pilot Mounting Bracket IID	N/A
8-P	Pilot Tube	004078F
9-P	Hi Tension Wire	002654B

\*FOR ALTITUDES ABOVE 2,000 FEET ABOVE SEA LEVEL CONSULT THE FACTORY.

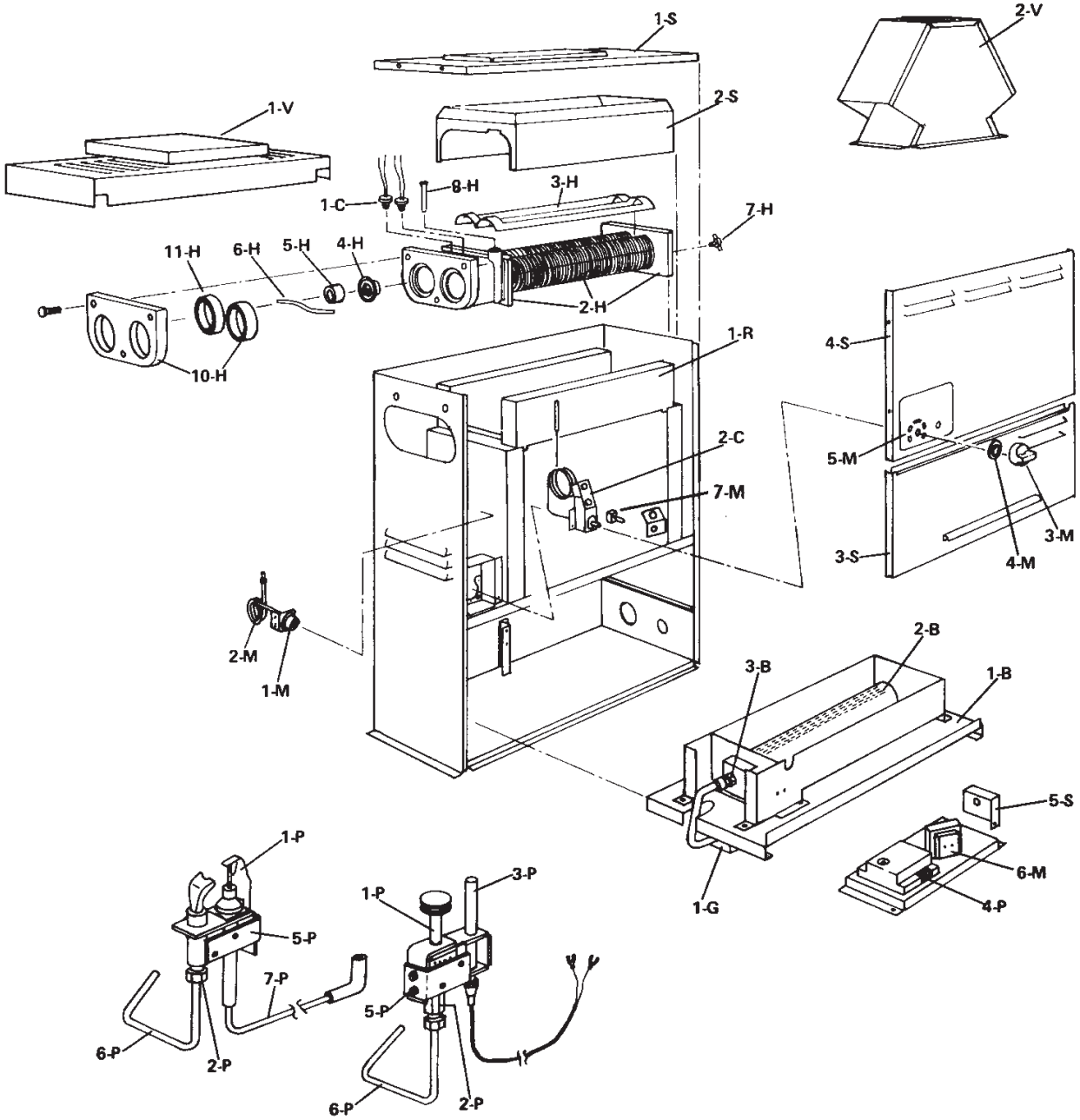
CALL OUT	DESCRIPTION	SPA-PAK
<b>R</b>	<b>REFRACTORY</b>	
1-R	Refractory Block Kit	001474F
<b>S</b>	<b>SHEETMETAL</b>	
1-S	Jacket Top	002525F
2-S	Flue Collector	002530F
3-S	Door Assy.	N/A
4-S	Upper Jacket Control Panel	N/A
5-S	Wiring Box	
<b>V</b>	<b>VENTING</b>	
1-V	Stackless Top Kit (Outdoor)	N/A
2-V	Drafthood Kit (Indoor)	003722
<b>CONVERSION KITS**</b>		
	Standing Pilot Nat. to Pro.	N/A
	Standing Pilot Pro. to Nat.	N/A
	Electric Pilot Nat to Pro.	N/A

**\*\*GAS CONVERSIONS TO BE DONE BY QUALIFIED AGENCY**

# 53B

DATE OF MANUFACTURE: 01-01-86 THRU 05-01-87

PARTS - RESIDENTIAL



Reference  
IPL 9100.152

CALL OUT	DESCRIPTION	SPA-PAK
<b>B</b>	<b>BURNER TRAY</b>	
1-B	Burner Tray Assy. w/ Burner (Sea Level)*	N/A
2-B	Burner	N/A
3-B	Burner Orifice Nat. No. 30 (Sea Level)*	N/A
	Burner Orifice Pro. No. 46 (Sea Level)*	N/A
<b>C</b>	<b>CONTROLS</b>	
1-C	Hi Limit 135°F	600889B
	Hi Limit 140°F	600890B
2-C	Thermostat Control	003346F
<b>G</b>	<b>GAS VALVES</b>	
1-G	Combination Valve 1/2" Nat.	003898F
	Combination Valve 1/2" Pro.	003899F
	Combination Valve 1/2" Nat. IID	003900F
<b>H</b>	<b>HEAT EXCHANGER</b>	
1-H	Heat Exchange Assy. Complete	001612F
2-H	Header/Tubed Kit	N/A
3-H	Baffle Kit	N/A
4-H	Unitherm Governor	600885
5-H	U. G. Sleeve	400734
6-H	U. G. Spring	850247
7-H	Drain Valve	500719
8-H	Sensor Well	007211F
9-H	Bulb Retainer Clip	300203
10-H	Inlet/Outlet Flange	002432F
11-H	Flange Gasket	800013B
<b>M</b>	<b>MISCELLANEOUS PARTS</b>	
1-M	Pressure Switch	003651F
2-M	Pressure Switch Tube Assy.	003543F
3-M	Thermostat Knob	006885F
4-M	Knob Stop	006886F
5-M	Dialplate STD	N/A
	Dialplate IID	N/A
6-M	Transformer (IID Unit)	006736F
7-M	Toggle Switch	650595
<b>P</b>	<b>PILOT</b>	
1-P	Pilot Nat.	600525B
	Pilot Pro.	600575B
	Pilot Nat. IID	002003F
2-P	Pilot Orifice Nat.	003901F
	Pilot Orifice Pro	003902F
	Pilot Orifice Nat. IID	003903F
3-P	Pilot Generator Standing	600019B
4-P	Ignition Control IID	004817B
5-P	Pilot Mounting Bracket	N/A
6-P	Pilot Tube	400884
7-P	Hi Tension Wire	002654B

\*FOR ALTITUDES ABOVE 2,000 FEET ABOVE SEA LEVEL, CONSULT THE FACTORY.

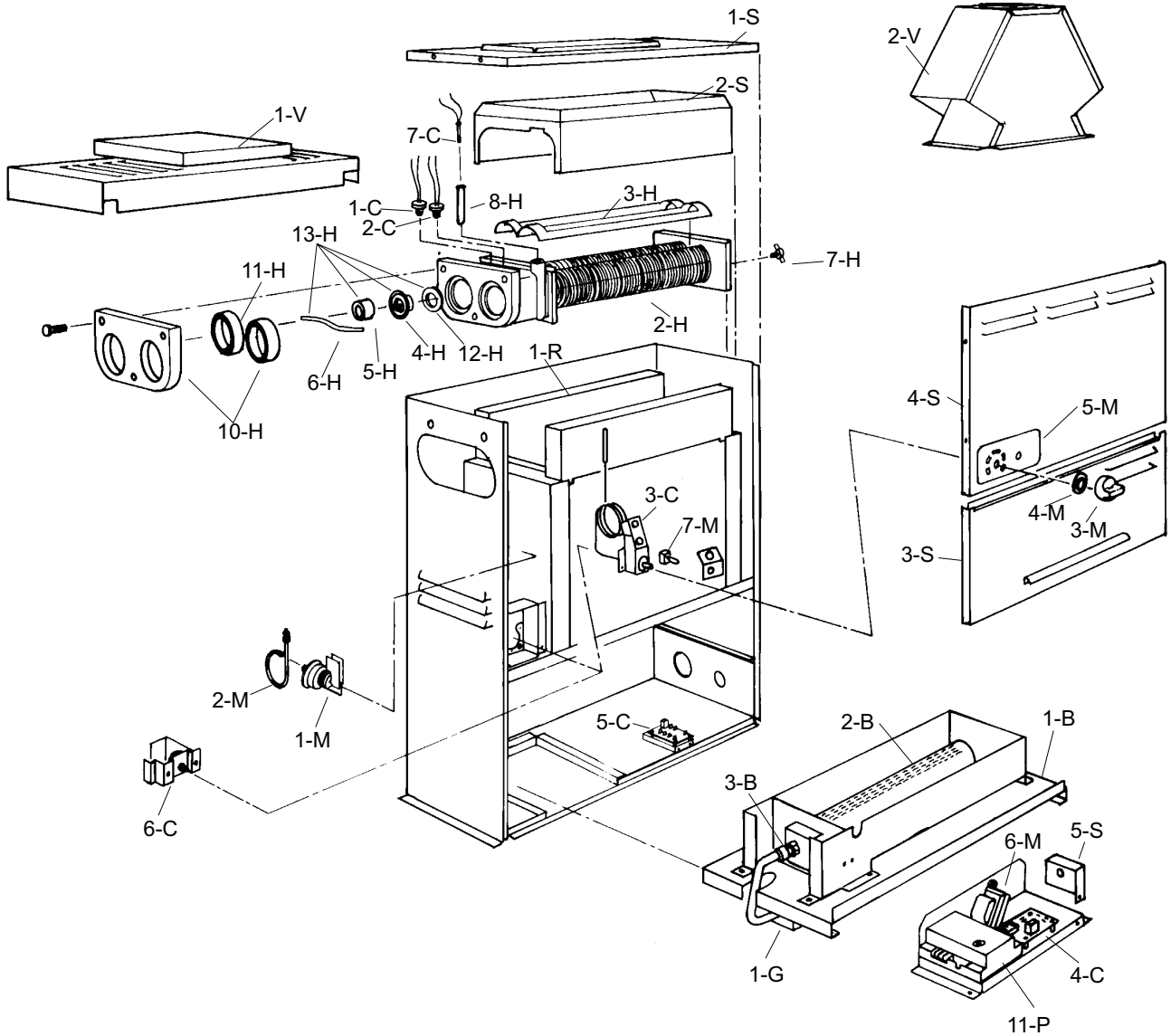
CALL OUT	DESCRIPTION	SPA-PAK
<b>R</b>	<b>REFRACTORY</b>	
1-R	Refractory Block Kit	003544F
<b>S</b>	<b>SHEET METAL</b>	
1-S	Jacket Top	002525F
2-S	Flue Collector	002530F
3-S	Door Assy.	N/A
4-S	Upper Jacket Control Panel	N/A
5-S	Wiring Box	306094
<b>V</b>	<b>VENTING</b>	
1-V	Stackless Top Kit (Outdoor)	N/A
2-V	Draffhood Kit (Indoor)	003722

<b>CONVERSION KITS**</b>		
	Nat. to Pro. Standing Pilot	N/A
	Pro. to Nat. Standing Pilot	N/A
	Nat. to Pro. Electric Pilot	N/A

\*\*GAS CONVERSIONS TO BE DONE BY QUALIFIED AGENCY.

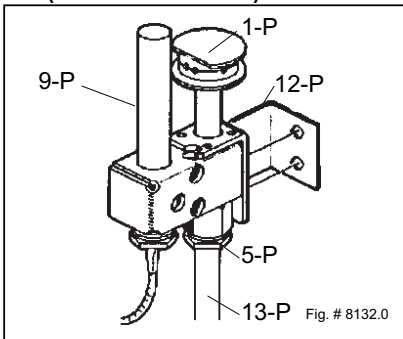
# 055A

DATE OF MANUFACTURE: 05-01-87 THRU 09-30-89

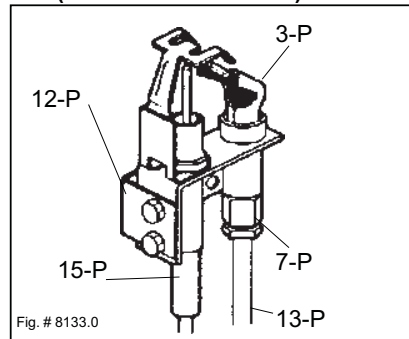


PARTS - RESIDENTIAL

## MV (STANDING PILOT)



## IID (ELECTRIC IGNITION)



Reference  
IPL 9100.20

CALL OUT	DESCRIPTION	PREMIUM BRONZE
<b>B</b>	<b>BURNER TRAY</b>	
1-B	Burner Tray w/Burners (Sea Level)*	N/A
2-B	Burner	N/A
3-B	Burner Orifice Nat. #30 (Sea Level)*	N/A
	Burner Orifice Pro. #46 (Sea Level)*	N/A
<b>C</b>	<b>CONTROLS</b>	
1-C	High Limit 135°F	600889B
2-C	High Limit 140°F	600890B
3-C	Thermostat Control MV (Mechanical)	003346F
8-C	Thermostat Control MV (Solid State)	005391F
5-C	PC Board	005089B
6-C	Potentiometer	005087B
7-C	Temperature Sensor	005088B
9-C	Thermostat Control IID (Solid State)	005389F
5-C	PC Board	005086B
6-C	Potentiometer	005087B
7-C	Temperature Sensor	005088B
<b>G</b>	<b>GAS VALVE</b>	
1-G	Combination Valve Nat. MV	003898F
	Combination Valve Pro. MV	003899F
	Combination Valve Nat. IID	003900F
	Combination Valve Pro. IID	004306F
<b>H</b>	<b>HEAT EXCHANGER</b>	
1-H	Heat Exchanger Assy. (Complete)	001612F
2-H	Header/Tubed Kit	N/A
3-H	Baffle Kit	N/A
4-H	Unitherm Governor	600885
5-H	U. G. Cap	400734
6-H	U. G. Spring	850247
7-H	Drain Valve	500719
8-H	Sensor Well	007211F
9-H	Bulb Retainer clip	300203
12-H	U. G. Gasket	800276
10-H	Inlet/Outlet Flange	002432F
11-H	Flange Gasket	800013B
<b>M</b>	<b>MISCELLANEOUS COMPONENTS</b>	
1-M	Pressure Switch	062237B
2-M	Pressure Switch Tube Assy.	003543F
3-M	Thermostat Knob	006885F
4-M	Knob Stop	006886F
5-M	Dial Plate MV	900741
	Dial Plate IID	900742
6-M	Transformer (IID Unit)	006736F
7-M	Toggle Switch	650595
8-M	Wire Harness MV	004010F
	Wire Harness IID	004011F

\*For altitudes above 2,000 feet above sea level, consult the factory.

CALL OUT	DESCRIPTION	PREMIUM BRONZE
<b>P</b>	<b>PILOT</b>	
1-P	Pilot Nat. MV	600525B
	Pilot Pro. MV	600575B
3-P	Pilot Nat. IID	002003F
	Pilot Pro. IID	002003F
5-P	Pilot Orifice Nat. MV	003901F
	Pilot Orifice Pro. MV	003902F
7-P	Pilot Orifice Nat. IID	003903F
	Pilot Orifice Pro. IID	004308F
9-P	Pilot Generator MV	600019B
11-P	Ignition Control IID Nat.	004817B
	Ignition Control IID Pro.	004818B
12-P	Pilot Mounting Bracket MV	N/A
13-P	Pilot Mounting Bracket IID	N/A
14-P	Pilot Tube	004078F
15-P	Hi Tension Wire IID	002654B
	Hi Tension Wire w/Pilot Electrode	007864F
<b>R</b>	<b>REFRACTORY</b>	
1-R	Refractory Block Kit	003544F
<b>S</b>	<b>SHEETMETAL</b>	
1-S	Jacket Top	002525F
2-S	Flue Collector	002530F
3-S	Door Assy.	N/A
4-S	Upper Jacket Control Panel	003791F
5-S	Wiring Box	306094
<b>V</b>	<b>VENTING</b>	
1-V	Stackless Top (Outdoor)	003709
2-V	Drafhood (Indoor)	003722

<b>CONVERSION KITS**</b>		
Nat. to Pro. MV Units		N/A
Pro. to Nat. MV Units		N/A
Nat. to Pro. IID Units		N/A
Pro. to Nat. IID Units		N/A

\*\* Gas Conversions are to be done only by a qualified agency.

# 055B

DATE OF MANUFACTURE: 10-01-89 THRU CURRENT

PARTS - RESIDENTIAL

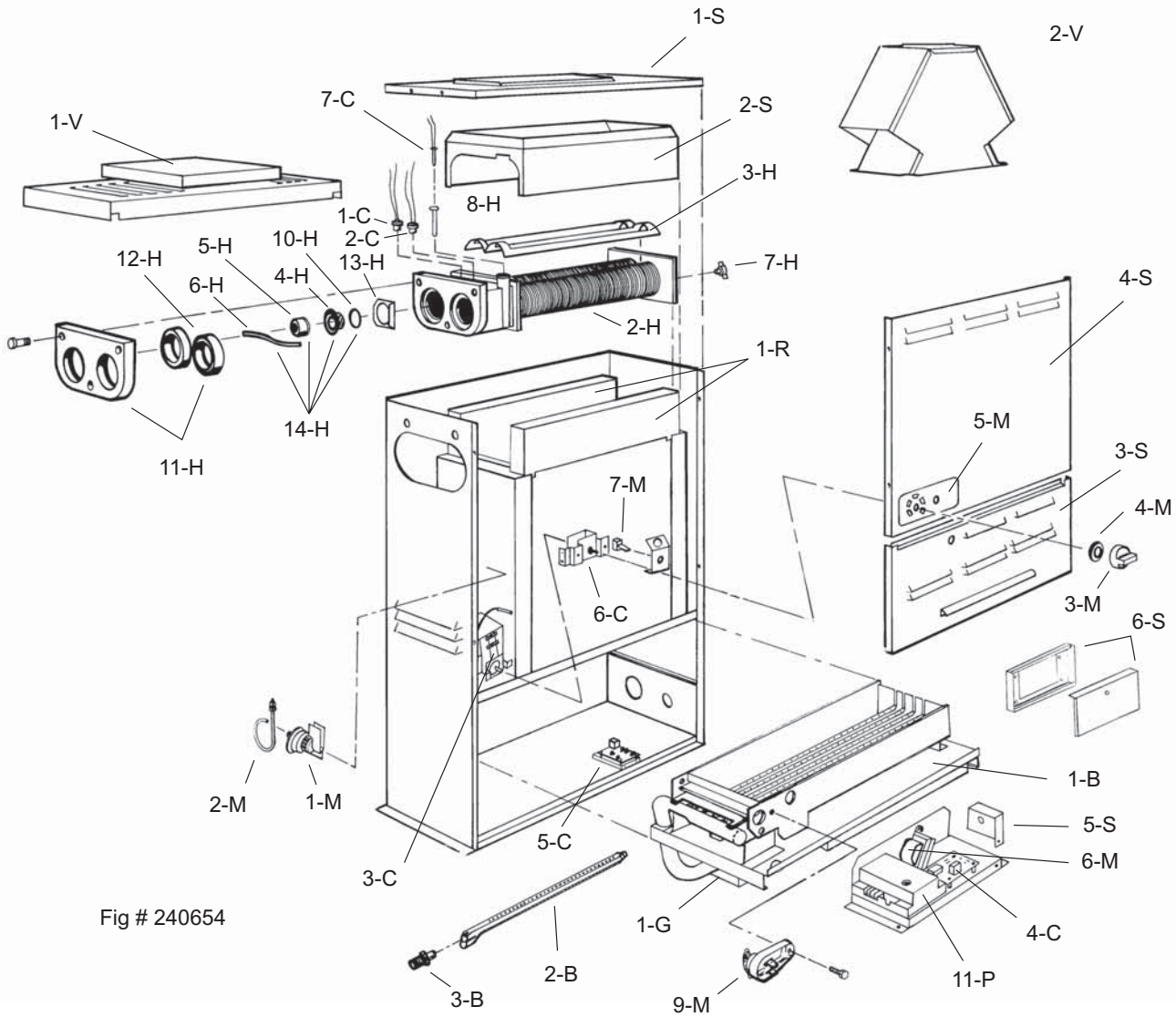


Fig # 240654

## HONEYWELL MILLIVOLT PILOT

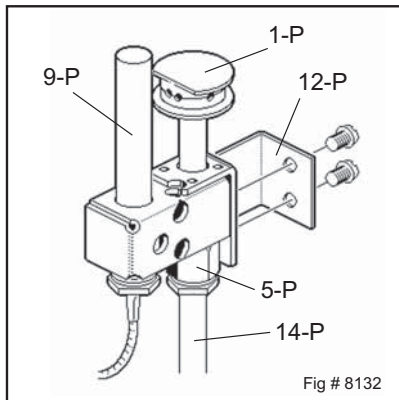


Fig # 8132

## HONEYWELL IID PILOT

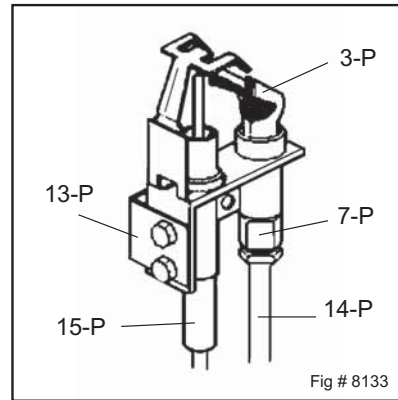


Fig # 8133

Reference  
IPL 9100.201

CALL OUT	DESCRIPTION	PREMIUM BRONZE
<b>B</b>	<b>BURNER TRAY</b>	
1-B	Burner Tray w/Burners (Sea Level)*	004688F
2-B	Burner	301210/4
3-B	Burner Orifice Nat. #52 (Sea Level)*	350081F/4
	Burner Orifice Pro. #62 (Sea Level)*	350086F/4
<b>C</b>	<b>CONTROLS</b>	
1-C	High Limit 135°F	600889B
2-C	High Limit 140°F	600890B
3-C	Thermostat Control MV (Mechanical)	003346F
8-C	Thermostat Control MV (Solid State)	005391F
5-C	PC Board	005089B
6-C	Potentiometer	005087B
7-C	Temperature Sensor	005088B
9-C	Thermostat Control IID (Solid State)	005390F
4-C	PC Board	005086B
6-C	Potentiometer	005087B
7-C	Temperature Sensor	005088B
<b>G</b>	<b>GAS VALVE</b>	
1-G	Combination Valve Nat. MV	003898F
	Combination Valve Pro. MV	003899F
	Combination Valve Nat. IID	003900F
	Combination Valve Pro. IID	004306F
<b>H</b>	<b>HEAT EXCHANGER</b>	
1-H	Heat Exchanger Assy. (Complete)	004694F
2-H	Header/Tubed Kit	004695F
3-H	Baffle Kit	004715F
14-H	U.G. Assy	002546F
4-H	Unitherm Governor	600885
5-H	U. G. Cap	400734
6-H	U. G. Spring	850247
10-H	U. G. Gasket	800276
7-H	Drain Valve	500719
8-H	Sensor Well	007211F
9-H	Bulb Retainer clip	300203
13-H	Bypass Baffle	306079
11-H	Inlet/Outlet Flange	002432F
12-H	Flange Gasket	800013B
<b>M</b>	<b>MISCELLANEOUS COMPONENTS</b>	
1-M	Pressure Switch	062237B
2-M	Pressure Switch Tube Assy.	003543F
3-M	Thermostat Knob	006885F
4-M	Knob Stop	006886F
5-M	Dial Plate MV	900741
	Dial Plate IID	900742
6-M	Transformer (IID Unit)	006736F
7-M	Toggle Switch	650595
8-M	Wire Harness MV	004010F
	Wire Harness IID	004011F
9-M	Thermal Fuse	008126F

\*For altitudes above 2,000 feet above sea level, consult the factory.

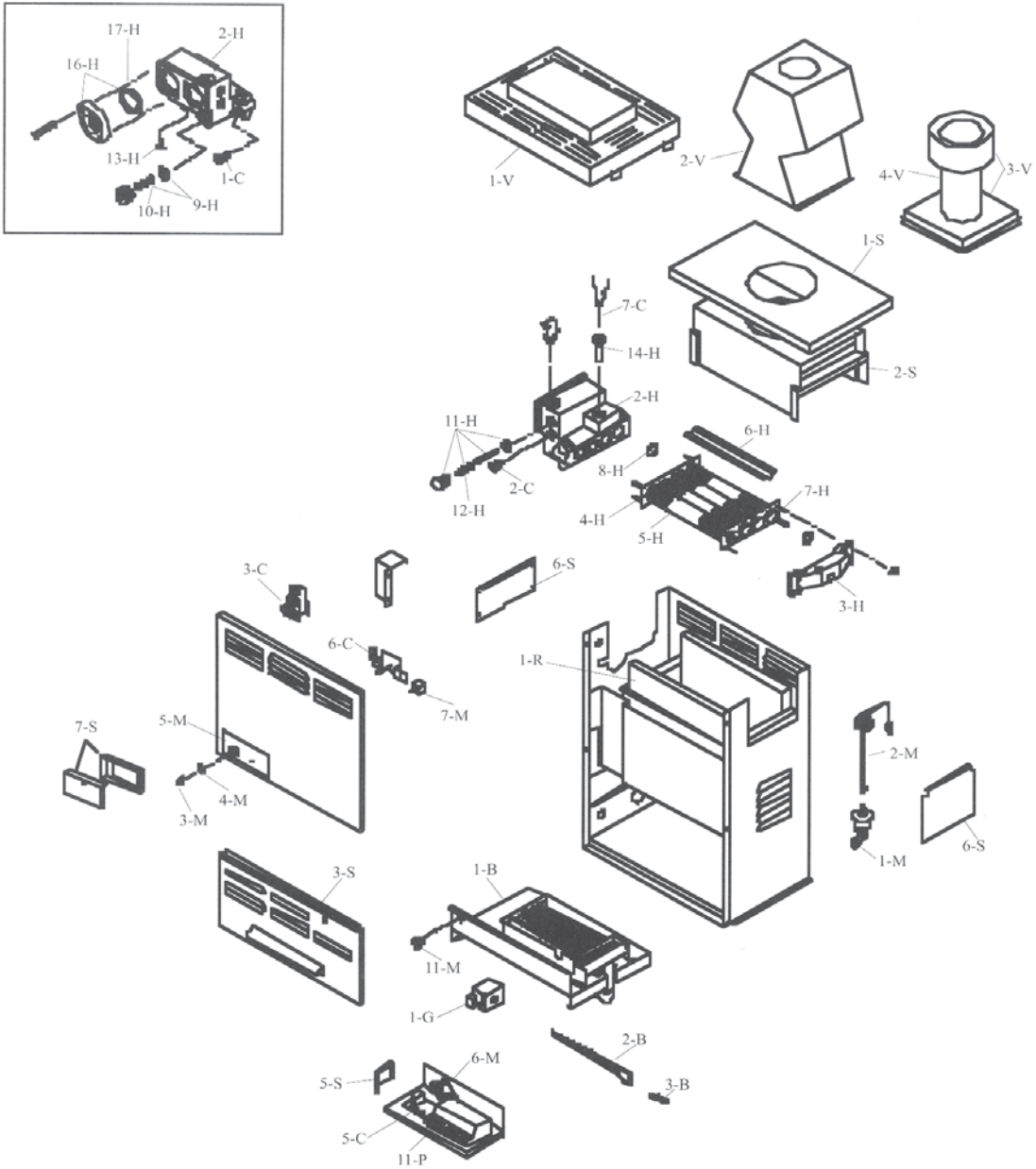
CALL OUT	DESCRIPTION	PREMIUM BRONZE
<b>P</b>	<b>PILOT</b>	
1-P	Pilot Nat. MV	600525B
	Pilot Pro. MV	600575B
3-P	Pilot Nat. IID	002003F
	Pilot Pro. IID	002003F
5-P	Pilot Orifice Nat. MV	003901F
	Pilot Orifice Pro. MV	003902F
7-P	Pilot Orifice Nat. IID	003903F
	Pilot Orifice Pro. IID	004308F
9-P	Pilot Generator MV	600019B
11-P	Ignition Control IID Nat.	004817B
	Ignition Control IID Pro.	004818B
12-P	Pilot Mounting Bracket MV	004716F
13-P	Pilot Mounting Bracket IID	004717F
	Pilot Tube	004078F
15-P	Hi Tension Wire IID	002654B
	Hi Tension Wire w/Pilot Electrode	007864F
<b>R</b>	<b>REFRACTORY</b>	
1-R	Refractory Block Kit	003544F
<b>S</b>	<b>SHEETMETAL</b>	
1-S	Jacket Top	002525F
2-S	Flue Collector	002530F
3-S	Door Assy.	004689F
4-S	Upper Jacket Control Panel	003791F
5-S	Wiring Box	306094
6-S	Poolstat Lock Box Cover	006492
<b>V</b>	<b>VENTING</b>	
1-V	Stackless Top (Outdoor)	003709
2-V	Drafthood (Indoor)	003722

<b>CONVERSION KITS**</b>		
Gas Conversions		
Nat. to Pro. MV Units		004696B
Pro. to Nat. MV Units		004697B
Nat. to Pro. IID Units		NA
Pro. to Nat. IID Units		NA

\*\* Gas Conversions are to be done only by a qualified agency.

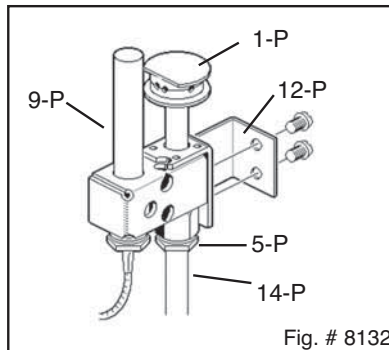
# 105A

DATE OF MANUFACTURE: 10-01-91 THRU 05-30-99

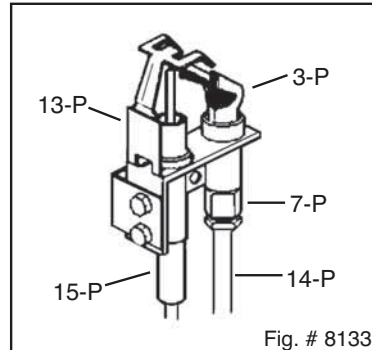


PARTS - RESIDENTIAL

MV



IID



Reference  
IPL 9100.24

CALL OUT	DESCRIPTION	PREMIUM BRONZE	CAST IRON
<b>B</b>	<b>BURNER TRAY</b>		
1-B	Burner Tray w/Burners (Sea Level)*	004899F	004899F
2-B	Burner	301210/8	301210/8
3-B	Burner Orifice Nat. #51 (Sea Level)*	350080F/8	350080F/8
	Burner Orifice Pro. #59 (Sea Level)*	350350F/8	350350F/8
<b>C</b>	<b>CONTROLS</b>		
1-C	High Limit 135°F	600892B	600892B
2-C	High Limit 140°F	600893B	600893B
3-C	Thermostat Control MV (Mechanical)	003346F	003346F
4-C	Thermostat Control IID (Solid State)	005390F	005390F
5-C	PC Board	005086B	005086B
6-C	Potentiometer	005087B	005087B
7-C	Temperature Sensor	005088B	005088B
<b>G</b>	<b>GAS VALVE</b>		
1-G	Combination Valve Nat. MV	003898F	003898F
	Combination Valve Pro. MV	003899F	003899F
	Combination Valve Nat. IID	003900F	003900F
	Combination Valve Pro. IID	004306F	004306F
<b>H</b>	<b>HEAT EXCHANGER</b>		
1-H	Heat Exchanger Assy. (Complete)	004900F	004961F
2-H	Inlet/Outlet Header	004901F	004933F
3-H	Return Header	004902F	004934F
4-H	Tube Bundle	004903F	004903F
5-H	Heat Exchange Tube	003961F	003961F
6-H	Baffle Kit	003964F	003964F
7-H	Bolt Kit	004889F	004889F
8-H	Header Gasket	800014B	800014B
9-H	Unitherm Governor	062234B	
10-H	U.G. Retainer Spring	850254	
11-H	Bypass Valve	062235B	062235B
12-H	Bypass Spring	850252	850252
13-H	Drain Valve	500719	500719
14-H	Sensor Well	003765F	003765F
15-H	Well Retaining Clip	300203	300203
16-H	Inlet & Outlet Flange	003766F	004056F
17-H	Flange Gasket 1-1/2" Connections	062236B	800013B
	Flange Gasket 2" Connections	800080B	
<b>M</b>	<b>MISCELLANEOUS COMPONENTS</b>		
1-M	Pressure Switch	062237B	062237B
2-M	Pressure Switch Tube Assy.	004904F	004904F
3-M	Thermostat Knob	006885F	006885F
4-M	Knob Stop	006886F	006886F
5-M	Dial Plate MV	900741	900748
	Dial Plate IID	900742	900749
6-M	Transformer (IID Unit)	006736F	006736F
7-M	Toggle Switch	650595	650595
8-M	Wire Harness MV	004905F	004905F
	Wire Harness IID	004906F	004906F
9-M	PRV 125 PSI	008091F	008091F
10-M	Delimiting Kit	052871F	052871F
11-M	Thermal Fuse	008126F	008126F

\*For altitudes above 2,000 feet above sea level, consult the factory.

CALL OUT	DESCRIPTION	PREMIUM BRONZE	CAST IRON
<b>P</b>	<b>PILOT</b>		
1-P	Pilot Nat. MV	600525B	600525B
	Pilot Pro. MV	600575B	600575B
3-P	Pilot Nat. IID	002003F	002003F
	Pilot Pro. IID	002003F	002003F
5-P	Pilot Orifice Nat. MV	003901F	003901F
	Pilot Orifice Pro. MV	003902F	003902F
7-P	Pilot Orifice Nat. IID	003903F	003903F
	Pilot Orifice Pro. IID	004308F	004308F
9-P	Pilot Generator MV	600019B	600019B
11-P	Ignition Control IID Nat.	004817B	004817B
	Ignition Control IID Pro.	004818B	004818B
12-P	Pilot Mounting Bracket MV	004907F	004907F
13-P	Pilot Mounting Bracket IID	004908F	004908F
	Pilot Tube	004078F	004078F
15-P	Hi Tension Wire IID	002654B	002654B
<b>R</b>	<b>REFRACTORY</b>		
1-R	Refractory Block Kit	004909F	004909F
<b>S</b>	<b>SHEETMETAL</b>		
1-S	Jacket Top	004910F	004910F
2-S	Flue Collector	004911F	004911F
3-S	Door Assy.	004912F	004912F
4-S	Upper Jacket Control Panel	004913F	004913F
5-S	Wiring Box	306899	306899
6-S	Access Panel	004914F	004914F
7-S	Poolstat Cover/Lock Box	006492F	006492F
<b>V</b>	<b>VENTING</b>		
1-V	Stackless Top (Outdoor)	004898	004898
2-V	Draft Hood (Indoor)	004897	004897
3-V	Outdoor Stack w/Adapter (Outdoor)	004301	004301
4-V	Outdoor Stack	N/A	N/A

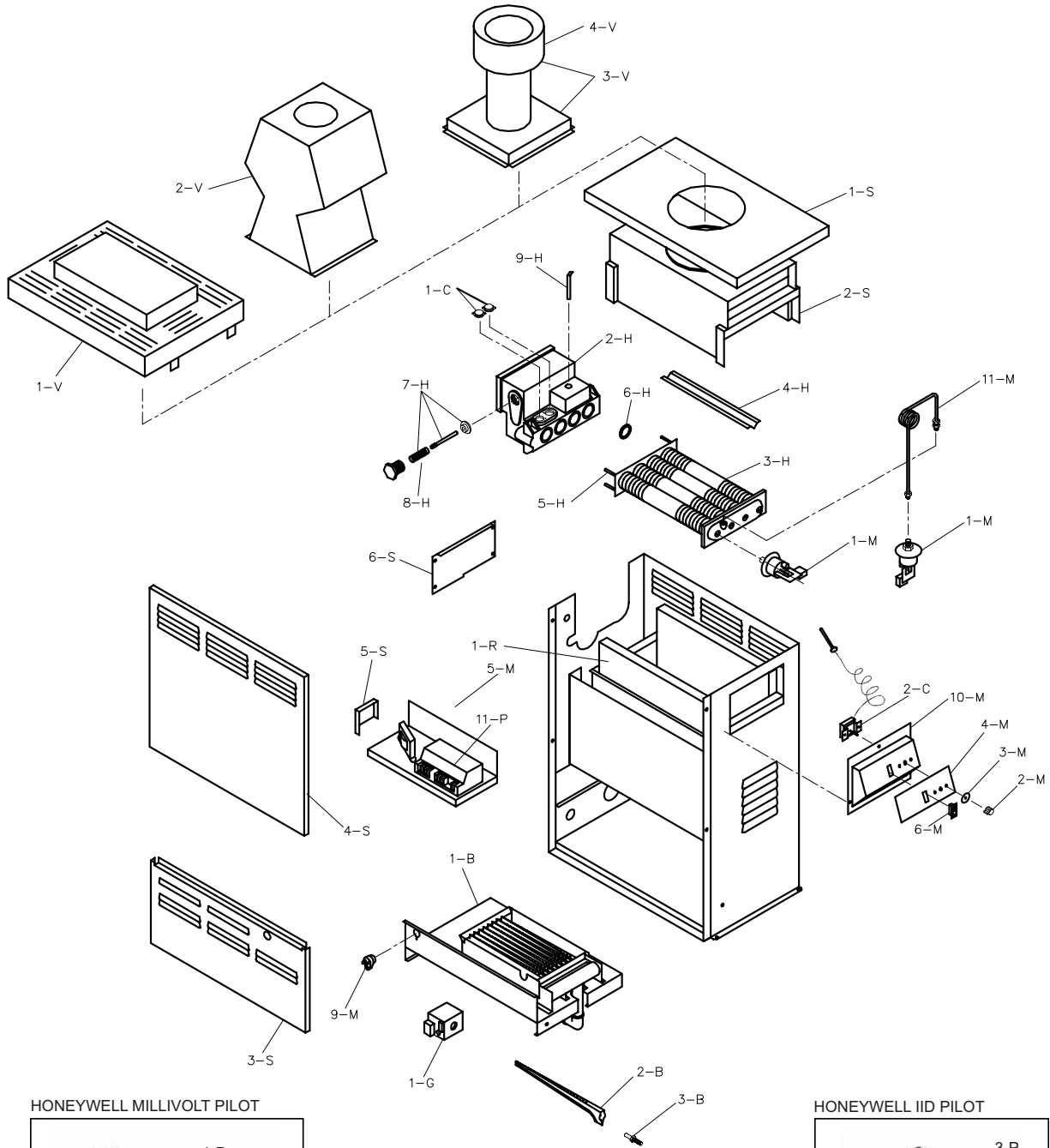
<b>CONVERSION KITS**</b>	<b>105</b>
Gas Conversions	
Nat. to Pro. MV Units	004915B
Pro. to Nat. MV Units	004916B
Nat. to Pro. IID Units	004917F
Pro. to Nat. IID Units	004918F

\*\* Gas Conversions are to be done only by a qualified agency.

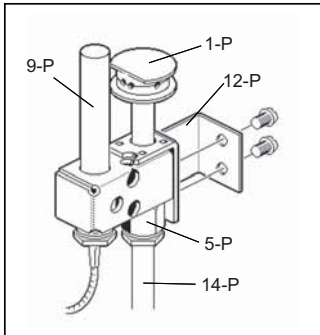
# 105B-CAST IRON

DATE OF MANUFACTURE: 06-01-99 THRU 07-31-06

PARTS - RESIDENTIAL

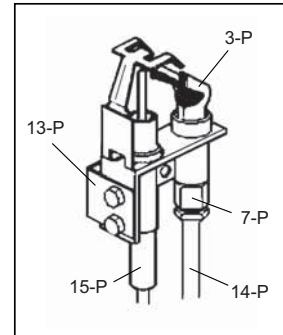


HONEYWELL MILLIVOLT PILOT



Reference  
IPL 9100.24.2

HONEYWELL IID PILOT



# 105B-CAST IRON

CALL OUT	DESCRIPTION	PART NUMBER
<b>B</b>	<b>BURNER TRAY</b>	
1-B	Burner Tray w/Burners (Sea Level)*	004899F
2-B	Burner	301210/8
3-B	Burner Orifice Nat. #51 (Sea Level)*	350080F/8
	Burner Orifice Pro. #59 (Sea Level)*	350350F/8
<b>C</b>	<b>CONTROLS</b>	
1-C	High Limit 135°F	006725F
2-C	Thermostat Control	003346F
<b>G</b>	<b>GAS VALVE</b>	
1-G	Combination Valve Nat. MV	003898F
	Combination Valve Pro. MV	003899F
	Combination Valve Nat. IID	003900F
	Combination Valve Pro. IID	004306F
<b>H</b>	<b>HEAT EXCHANGER</b>	
1-H	Heat Exchanger Assy. (Complete)	006888F
2-H	Inlet/Outlet Header	006887F
3-H	Tube Bundle	006889F
4-H	Baffle Kit	003964F
5-H	Carriage Bolt Kit	006890F
	Stud Bolt Kit	007957F
6-H	Header Gasket (4)	006891F
7-H	Bypass Valve	062235B
8-H	Bypass Spring	850252
9-H	Well Retaining Clip	300203
<b>M</b>	<b>MISCELLANEOUS COMPONENTS</b>	
1-M	Pressure Switch Direct Mount To Heater	006737F
	Pressure Switch Mount To Damper Tube	003651F
2-M	Thermostat Knob	006885F
3-M	Knob Stop	006886F
4-M	Dial Plate MV	006866F
	Dial Plate IID	006867F
5-M	Transformer (IID Unit)	006736F
6-M	Rocker Switch (SPST)	006872F
7-M	Wire Harness MV (Not Shown)	006873F
	Wire Harness IID (Not Shown)	006874F
8-M	Delimiting Kit (Not Shown)	052871F
9-M	Thermal Fuse	008126F
10-M	Bezel (Less Label)	006929F
11-M	Pressure Switch Tube Assy.	004904F

\*For altitudes above 2,000 feet above sea level, consult the factory.

# 105B-CAST IRON

PARTS - RESIDENTIAL

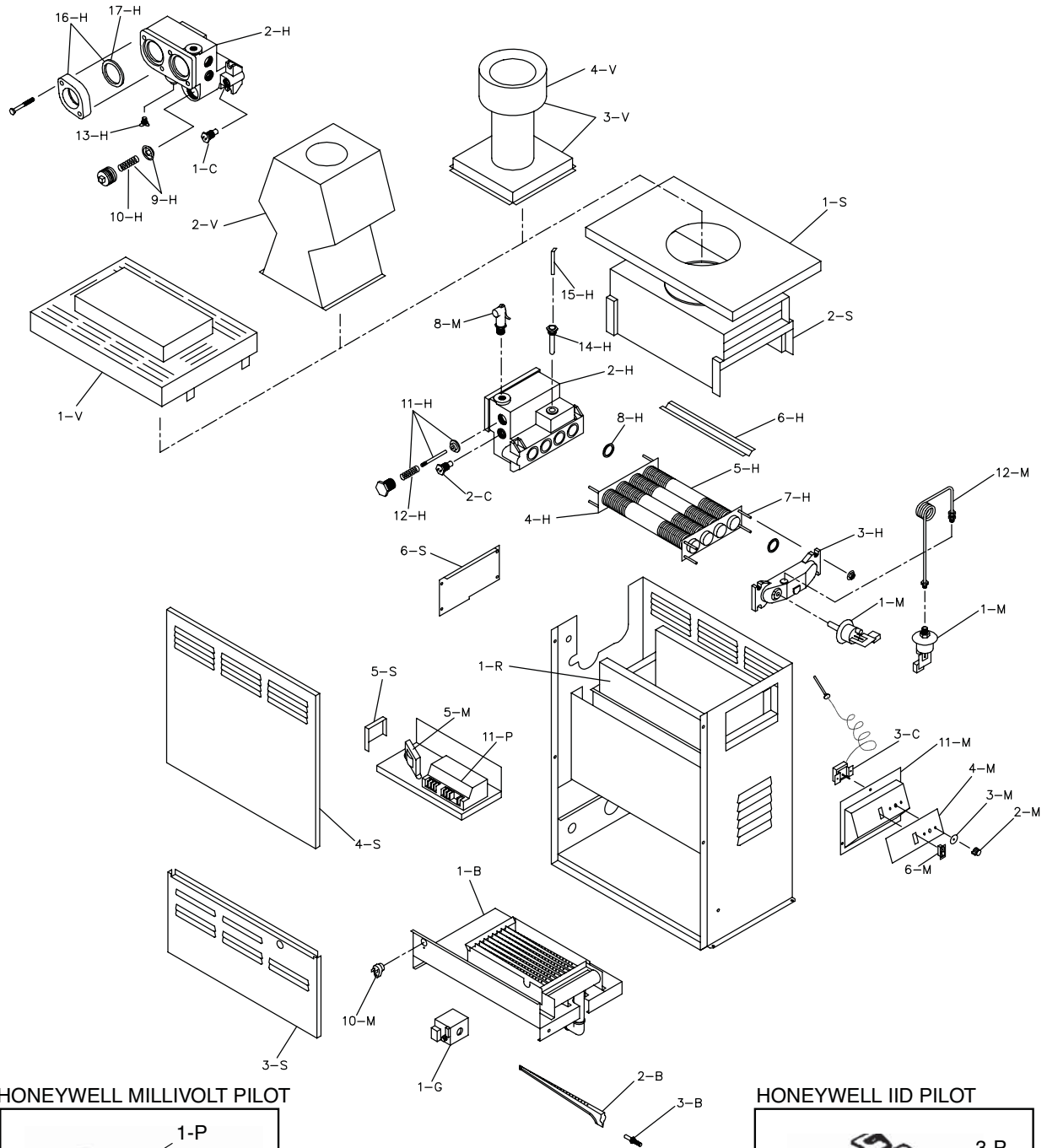
CALL OUT	DESCRIPTION	PART NUMBER
<b>P</b>	<b>PILOT</b>	
1-P	Pilot Nat. MV	600525B
	Pilot Pro. MV	600575B
3-P	Pilot Nat. IID	002003F
	Pilot Pro. IID	002003F
5-P	Pilot Orifice Nat. MV	003901F
	Pilot Orifice Pro. MV	003902F
7-P	Pilot Orifice Nat. IID	003903F
	Pilot Orifice Pro. IID	004308F
9-P	Pilot Generator MV	600019B
11-P	Ignition Control IID Nat.	004817B
	Ignition Control IID Pro.	004818B
12-P	Pilot Mounting Bracket MV	004907F
13-P	Pilot Mounting Bracket IID	004908F
	Pilot Tube	004078F
15-P	Hi Tension Wire IID	002654B
	Hi Tension Wire w/Pilot Electrode	007864F
<b>R</b>	<b>REFRACTORY</b>	
1-R	Refractory Block Kit	004909F
<b>S</b>	<b>SHEETMETAL</b>	
1-S	Jacket Top	006877F
2-S	Flue Collector	004911F
3-S	Door Assy.	004912F
4-S	Upper Jacket Control Panel	006881F
5-S	Wiring Box	306899
6-S	Access Panel (inlet / outlet end)	006883F
<b>V</b>	<b>VENTING</b>	
1-V	Stackless Top (Outdoor)	006930F
2-V	Drafthood (Indoor)	004897
3-V	Outdoor Stack w/Adapter (Outdoor)	004301
4-V	Outdoor Stack	N/A

<b>CONVERSION KITS**</b>	
Nat. to Pro. MV Units	004915B
Pro. to Nat. MV Units	004916B
Nat. to Pro. IID Units	004917F
Pro. to Nat. IID Units	004918F

\*\* Gas Conversions are to be done only by a qualified agency.

# 105B-BRASS

DATE OF MANUFACTURE: 08-01-99 THRU 07-31-06



HONEYWELL MILLIVOLT PILOT

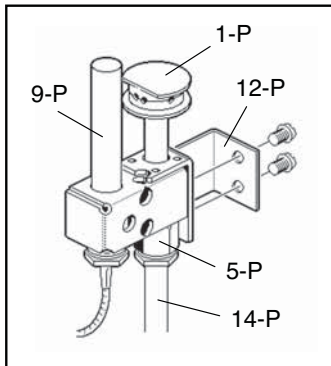


FIG # 8132

Reference  
IPL 9100.24.1

HONEYWELL IID PILOT

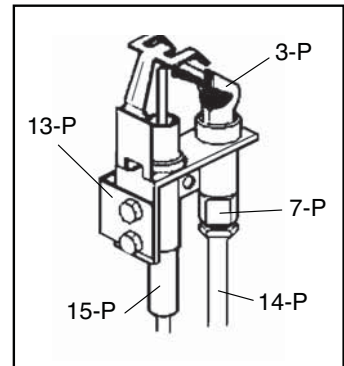


FIG # 8133

PARTS - RESIDENTIAL

# 105B-BRASS

PARTS - RESIDENTIAL

CALL OUT	DESCRIPTION	PART NUMBER
<b>B</b>	<b>BURNER TRAY</b>	
1-B	Burner Tray w/Burners (Sea Level)*	004899F
2-B	Burner	301210/8
3-B	Burner Orifice Nat. #51 (Sea Level)*	350080F/8
	Burner Orifice Pro. #59 (Sea Level)*	350350F/8
<b>C</b>	<b>CONTROLS</b>	
1-C	High Limit 135°F	600892B
2-C	High Limit 140°F	600893B
3-C	Thermostat Control	003346F
<b>G</b>	<b>GAS VALVE</b>	
1-G	Combination Valve Nat. MV	003898F
	Combination Valve Pro. MV	003899F
	Combination Valve Nat. IID	003900F
	Combination Valve Pro. IID	004306F
<b>H</b>	<b>HEAT EXCHANGER</b>	
1-H	Heat Exchanger Assy. (Complete)	004900F
2-H	Inlet/Outlet Header	004901F
3-H	Return Header	004902F
4-H	Tube Bundle	004903F
5-H	Heat Exchange Tube	003961F
6-H	Baffle Kit	003964F
7-H	Carriage Bolt Kit	004889F
	Stud Bolt Kit	007910F
8-H	Header Gasket	800014B
9-H	Unitherm Governor	062234B
10-H	U.G. Retainer Spring	850254
11-H	Bypass Valve	062235B
12-H	Bypass Spring	850252
13-H	Drain Valve	500719
14-H	Sensor Well	003765F
15-H	Well Retaining Clip	300203
16-H	Inlet & Outlet Flange	003766F
17-H	Flange Gasket 1-1/2" Connections	062236B
	Flange Gasket 2" Connections	800080B
<b>M</b>	<b>MISCELLANEOUS COMPONENTS</b>	
1-M	Pressure Switch Direct Mount to Header	006737F
	Pressure Switch Mount to Damper Tube	003651F
2-M	Thermostat Knob	006885F
3-M	Knob Stop	006886F
4-M	Dial Plate MV	006866F
	Dial Plate IID	006867F
5-M	Transformer (IID Unit)	006736F
6-M	Rocker Switch (SPST)	006872F
7-M	Wire Harness MV (Not Shown)	006873F
	Wire Harness IID (Not Shown)	006874F
8-M	PRV 125 PSI	008091F
9-M	Delimiting Kit	052871F
10-M	Thermal Fuse	008126F
11-M	Bezel (Less Label)	006929F
12-M	Pressure Switch Tube Assy	004904F

\*For altitudes above 2,000 feet above sea level, consult the factory.

# 105B-BRASS

CALL OUT	DESCRIPTION	PART NUMBER
<b>P</b>	<b>PILOT</b>	
1-P	Pilot Nat. MV	600525B
	Pilot Pro. MV	600575B
3-P	Pilot Nat. IID	002003F
	Pilot Pro. IID	002003F
5-P	Pilot Orifice Nat. MV	003901F
	Pilot Orifice Pro. MV	003902F
7-P	Pilot Orifice Nat. IID	003903F
	Pilot Orifice Pro. IID	004308F
9-P	Pilot Generator MV	600019B
11-P	Ignition Control IID Nat.	004817B
	Ignition Control IID Pro.	004818B
12-P	Pilot Mounting Bracket MV	004907F
13-P	Pilot Mounting Bracket IID	004908F
	Pilot Tube	004078F
15-P	Hi Tension Wire IID	002654B
	Hi Tension Wire IID with Pilot Electrode	007864F
<b>R</b>	<b>REFRACTORY</b>	
1-R	Refractory Block Kit	004909F
<b>S</b>	<b>SHEETMETAL</b>	
1-S	Jacket Top	006877F
2-S	Flue Collector	004911F
3-S	Door Assy.	004912F
4-S	Upper Jacket Control Panel	006881F
5-S	Wiring Box	306899
6-S	Access Panel (inlet / outlet end)	006883F
<b>V</b>	<b>VENTING</b>	
1-V	Stackless Top (Outdoor)	006930F
2-V	Drafhood (Indoor)	004897
3-V	Outdoor Stack w/Adapter (Outdoor)	004301
4-V	Outdoor Stack	N/A

<b>CONVERSION KITS**</b>	
Nat. to Pro. MV Units	004915B
Pro. to Nat. MV Units	004916B
Nat. to Pro. IID Units	004917F
Pro. to Nat. IID Units	004918F

\*\* Gas Conversions are to be done only by a qualified agency.