

SECTION 4

RAYTHERM 334-824156
RAYTHERM 926-1826159
RAYTHERM 2100-4001162
HI DELTA 302-902165
HI DELTA 992-2342171
HI DELTA 302A-902A177
HI DELTA 992A-2342A184
HI DELTA 302B-902B190
HI DELTA 992B-2342B196
COLD RUN HI DELTA201
ADVANCED DESIGN BOILER 500-1000203
ADVANCED DESIGN BOILER 751-1501208
MVB 504-2004214

334,404,514,624,724,824

DATE OF MANUFACTURE: 10-01-82 THRU CURRENT
334 & 404 DATE OF MANUFACTURE: 10-01-82 THRU 11-01-86

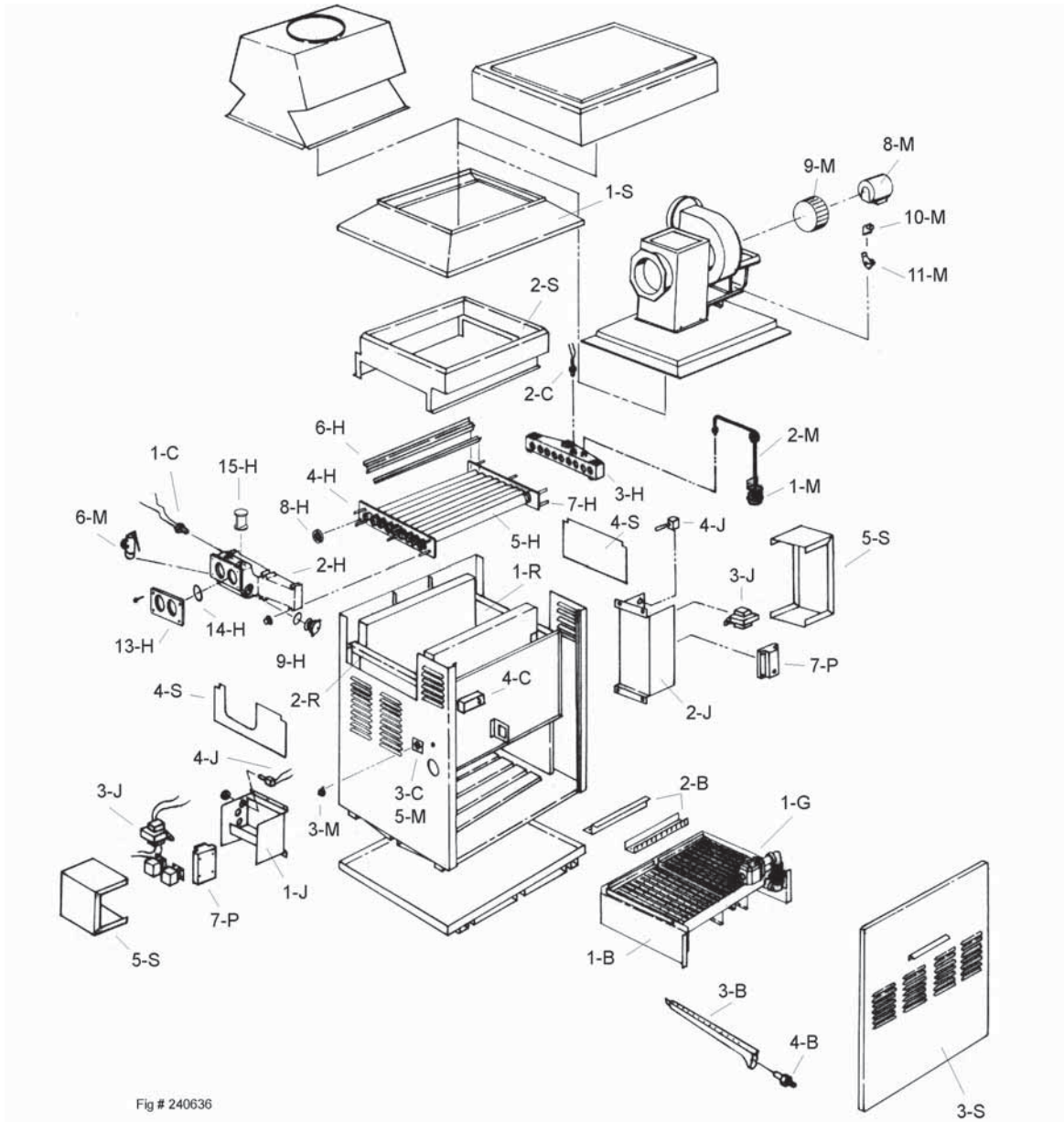


Fig # 240636

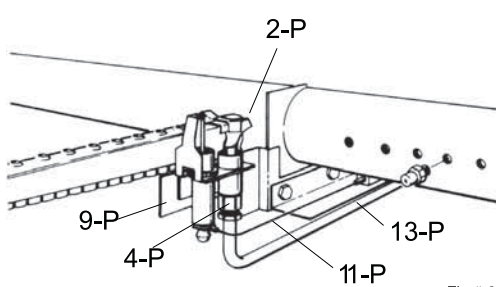


Fig # 9293

PILOT ASSEMBLY- ELECTRONIC IGNITION

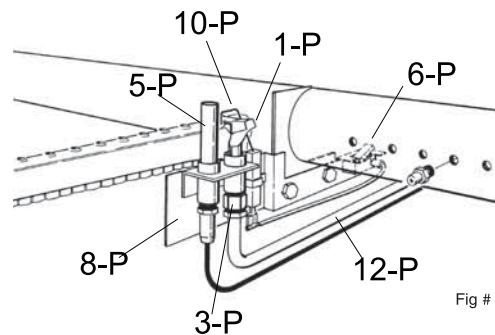


Fig # 9294

PILOT ASSEMBLY- STANDING PILOT

Reference
IPL 9100.60

PARTS-COMMERCIAL

CALL OUT	DESCRIPTION	334	404	514	624	724	824
B	BURNER TRAY						
1-B	Burner Tray w/Burners (Sea Level)*	001851F	001852F	001853F	001855F	001857F	001859F
	Burner Tray w/o Burners (Sea Level)*	001863F	001864F	001865F	001867F	001869F	001871F
2-B	Burner Spacer/Hold Down Bracket Kit	001875F	001876F	001877F	001878F	001879F	001880F
3-B	Burner	301210/20	301210/24	301210/31	301210/38	301210/44	301210/50
4-B	Burner Orifice Nat. #49 (Sea Level)*	350078F/20	350078F/24	350078F/31	350078F/38	350078F/44	350078F/50
	Burner Orifice Pro. #57 (Sea Level)*	350083F/20	350083F/24	350083F/31	350083F/38	350083F/44	350083F/50
C	CONTROLS						
1-C	High Limit 135 F	600892B	600892B	600892B	600892B	600892B	600892B
2-C	High Limit 140 F	600893B	600893B	600893B	600893B	600893B	600893B
3-C	Thermostat Control	003346F	003346F	003346F	003346F	003346F	003346F
4-C	Manual Hi Limit Control (Cal Code Only)	009554F	009554F	009554F	009554F	009554F	009554F
5-C	Low Water Cut Off (Cal Code Only)	006202F	006202F	006202F	006202F	006202F	006202F
G	GAS VALVE						
1-G	Combination Valve Nat. MV	003898F	003898F				
	Combination Valve Pro. MV	003899F	003899F				
	Combination Valve Nat. (Remote Spa)	004868F	004868F				
	Combination Valve Pro. (Remote Spa)	003569F	003569F				
	Combination Valve Nat. IID	003900F	003900F	004877F	004877F	004877F	600631
	Combination Valve Pro. IID	004306F	004306F	004878F	004878F	004878F	004878F
	Pilot Gas Valve Nat. IID Only						600562
	Pilot Regulator Nat. IID Only						600217
	Manual "A" Valve Nat. IID Only						007189F
	Manual "B" Valve Nat. IID Only						007195F
H	HEAT EXCHANGER						
1-H	Heat Exchange Assy. (Complete)	002466F	002467F	002468F	002469F	002470F	002471F
2-H	Inlet/Outlet Header	002473F	002473F	002473F	002473F	002473F	002473F
3-H	Return Header	002491F	002491F	002491F	002491F	002491F	002491F
4-H	Tube Bundle	003161F	003162F	003163F	003164F	003165F	003166F
5-H	Heat Exchange Tube	002379F	002380F	002387F	002388F	002389F	002390F
6-H	Baffle Kit	001616F	001617F	001618F	001619F	001620F	001621F
7-H	Bolt Kit	001051F	001051F	001051F	001051F	001051F	001051F
8-H	Header Gasket	800086B	800086B	800086B	800086B	800086B	800086B
9-H	Unitherm Governor	002475F	002475F	002475F	002475F	002475F	002475F
10-H	Drain Valve	500834	500834	500834	500834	500834	500834
11-H	Sensor Well	007211F	007211F	007211F	007211F	007211F	007211F
12-H	Well Retainer Clip	300203	300203	300203	300203	300203	300203
15-H	Manual Bypass Valve	006994F	006994F	006994F	006994F	006994F	006994F
13-H	Inlet/Outlet Flange	002477F	002477F	002477F	002477F	002477F	002477F
14-H	Flange Gasket	800080B	800080B	800080B	800080B	800080B	800080B
J	J BOX						
1-J	J Box Nat. IID (Complete)	002648F	002648F	002648F	002648F	002648F	002648F
	J Box Pro. IID (Complete)	002653F	002653F	002653F	002653F	002653F	002653F
2-J	J-Box Nat./Pro. IID/Lock (Complete)	002479F	002479F	002479F	002479F	002479F	002479F
3-J	Transformer 120/240/24V	006736F	006736F	006736F	006736F	006736F	006736F
4-J	Toggle Switch	650761	650761	650761	650761	650761	650761
	Toggle Switch (Remote Spa)	650760	650760	650760	650760	650760	650760

*FOR ALTITUDES ABOVE 2,000 FEET ABOVE SEA LEVEL, CONSULT THE FACTORY.

CALL OUT	DESCRIPTION	334	404	514	624	724	824
M	MISCELLANEOUS COMPONENTS						
1-M	Pressure Switch	062237B	062237B	062237B	062237B	062237B	062237B
2-M	Pressure Switch Tube Assy.	003273F	003273F	003273F	003273F	003273F	003273F
3-M	Thermostat Knob	006885F	006885F	006885F	006885F	006885F	006885F
4-M	Knobstop	006886F	006886F	006886F	006886F	006886F	006886F
5-M	Dial Plate	900536	900536	900536	900536	900536	900536
6-M	PRV 125 PSI	011912F	011912F	011912F	011912F	011912F	011912F
7-M	Delimiting Kit	052870F	052870F	052870F	052870F	052870F	052870F
8-M	Power Vent Motor			951105F	951105F	951105F	951105F
9-M	Power Vent Wheel			951106F	951106F	951106F	951106F
10-M	Power Vent PC Board			005503F	005503F	005503F	005503F
11-M	Power Vent Pressure Switch			601212	601212	601212	601212
P	PILOT						
1-P	Pilot Nat. Standing	002480F	002480F				
	Pilot Pro. Standing	002481F	002481F				
	Pilot Nat. Standing (Remote Spa)	002412F	002412F				
	Pilot Pro. Standing (Remote Spa)	002413F	002413F				
2-P	Pilot Nat. IID	002234F	002234F	002234F	002234F	002234F	002234F
	Pilot Pro. IID			002235F	002235F	002235F	002235F
3-P	Pilot Orifice Nat. Standing	600552	600552				
	Pilot Orifice Pro. Standing	600148	600148				
4-P	Pilot Orifice Nat. IID	600552	600552	600552	600552	600552	600552
	Pilot Orifice Pro. IID			600894	600894	600894	600894
5-P	Pilot Generator Standing	600019B	600019B				
	Thermocouple (Remote Spa)	600003	600003				
6-P	Ignitor Standing (Piezo)	001643F	001643F				
7-P	Ignition Control IID Nat.	004817B	004817B	004817B	004817B	004817B	004817B
	Ignition Control IID Pro.			004818B	004818B	004818B	004818B
8-P	Mounting Bracket Standing	303612	303612				
9-P	Mounting Bracket IID	304666	304666	304666	304666	304666	304666
10-P	Ignition Rod Standing	600502	600502				
11-P	Ignition Rod IID	064839	064839	064839	064839	064839	064839
12-P	Pilot Tube Standing	004078F	004078F				
13-P	Pilot Tube IID (Specify Length)	400013	400013	400013	400013	400013	400013
14-P	High Tension Wire	002663B	002663B	002663B	002663B	002663B	002663B
R	REFRACTORY						
1-R	Refractory Kit	001312F	001313F	001314F	001315F	001316F	001317F
2-R	Refractory Retainer Kit	001627F	001627F	001627F	001627F	001627F	001627F
S	SHEET METAL						
1-S	Jacket Top	002417F	002418F	002419F	002420F	002421F	002422F
2-S	Flue Collector	002423F	002424F	002425F	002426F	002427F	002428F
3-S	Door Assy.	001834F	001835F	001836F	001837F	001838F	001839F
4-S	Access Panel Group	001841F	001841F	001841F	001841F	001841F	001841F
5-S	J Box Sheetmetal	002668F	002668F	002668F	002668F	002668F	002668F
V	VENTING						
1-V	Stackless Top Kit (Outdoor)	001101F	001102F	001103	001104	001105	001106
2-V	Draft Hood Kit (Indoor)	001455F	001456F	001457	001458	001459	001460

For gas conversions, please consult the factory.

CALL OUT	DESCRIPTION	962 [926]	1125 [1083]	1223 [1178]	1336 [1287]	1468 [1414]	1631 [1571]	1826 [1758]
B	BURNER TRAY							
1-B	Burner Tray w/Burners (Sea Level)*	002092F	002093F	002094F	002095F	002096F	002097F	002098F
	Burner Tray w/o Burners (Sea Level)*	002099F	002100F	002101F	002102F	002103F	002104F	002105F
2-B	Burner Hold Down/Spacer	002120F	002121F	002122F	002123F	002124F	002125F	002126F
3-B	Burner	301210/59	301210/69	301210/75	301210/82	301210/90	301210/100	301210/112
4-B	Burner Orifice Nat. #48 Indoor (Sea Level)*	350077F/59	350077F/69	350077F/75	350077F/82	350077F/90	350077F/100	350077F/112
	Burner Orifice Nat. #49 Outdoor (Sea Level)*	350078F/59	350078F/69	350078F/75	350078F/82	350078F/90	350078F/100	350078F/112
	Burner Orifice Pro. #57 (Sea Level)*	350083F/59	350083F/69	350083F/75	350083F/82	350083F/90	350083F/100	350083F/112
C	CONTROLS							
1-C	Dualstat Replacement (Thermostat & Hi Limit) Auto Hi-Limit	010863F	010863F	010863F	010863F 007141F	010863F 007141F	010863F 007141F	010863F 007141F
2-C	Manual High Limit Manual Hi-Limit 40-180°F	007144F 010093F	007144F 010093F	007144F 010093F	007144F 010093F	007144F 010093F	007144F 010093F	007144F 010093F
3-C	Low Water Cutoff	006202F	006202F	006202F		006202F	006202F	006202F
4-C	Flow Switch				007142F	007142F	007142F	007142F
5-C	Flow Switch Paddle				004079F	004079F	004079F	004079F
6-C	Temp Controller (Not Shown)	006865F	006865F	006865F	006865F	006865F	006865F	006865F
7-C	High Limit 135 F (Not Shown)	600892F	600892F	600892F				
8-C	Temp Controller 0-100 F (Not Shown)	006040	006040	006040	006040	006040	006040	006040
G	GAS VALVE							
1-G	Manual "B" Valve	007195F	007195F	007195F	007195F	007195F	007195F	007195F
2-G	Manual "A" Valve Manual "A" Valve 1-1/2	007189F	007189F	007189F	007190F	007190F	007190F	600881
3-G	Pilot Regulator Nat. Pilot Regulator Pro.	004060F 004061F	004060F 004061F	004060F 004061F	004060F 004061F	004060F 004061F	004060F 004061F	004060F 004061F
4-G	Auto On/Off Valve 1-1/4 Auto On/Off Valve 1-1/2	004094F	004094F	004094F	004094F	004094F	004094F	004095F
5-G	Combination Valve Nat. Combination Valve Pro. Pilot Valve	600631 600692 600562	600632 600692 600562	600632 600692 600562	600632 600692 600562	600632 600692 600562	600632 600693 600562	600633 600693 600562
H	HEAT EXCHANGER							
1-H	Heat Exchange Assy 4 Pass ("H" UG) Heat Exchanger Assy 2 Pass (w/ Pump Header) Heat Exchanger Assy 2 Pass (w/o Pump Header)	002482F 012346F 012349F	002483F 012347F 012350F	002484F 012348F 012351F		006952F 002485F	006953F 002486F	006954F 002487F
2-H	Inlet/Outlet Header 4 Pass 2" ("H" UG) Inlet/Outlet Header 2 Pass 2-1/2"	002489F 002216F	002489F 002216F	002489F 002216F		002489F 002216F	002489F 002216F	002488F 002216F
3-H	Return Header (4 Pass) Return Header (2 Pass) Return Pump Header Brass	002491F 002492F 002224F	002491F 002492F 002224F	002491F 002492F 002224F		002492F 002492F 002224F	002492F 002492F 002224F	002492F 002492F 002224F
4-H	Tube Bundle	003167F	003168F	003169F	002197F	002198F	002199F	002200F
5-H	Heat Exchange Tube	002208F	002209F	002210F	002211F	002212F	002213F	002214F
6-H	Baffle Kit	001520F	001521F	001522F	001523F	001524F	001525F	001526F
7-H	Bolt Kit Stud Bolt Kit w/Pump Header	001051F 001527F	001051F 001527F	001051F 001527F	001051F 001527F	001051F 001527F	001051F 001527F	001051F 001527F
8-H	Header Gasket (4 Pass) Header Gasket (2 Pass)	800086B 800001B	800086B 800001B	800086B 800001B	800001B	800001B	800001B	800001B
9-H	U.G. Single	002475F	002475F	002475F				
10-H	Drain Valve	500834	500834	500834				
29-H	Manual Bypass Valve (Not Shown)	006994F	006994F	006994F				
11-H	Sensor Well	007211F	007211F	007211F	350338	350338	350338	350338
12-H	Well Retaining Clip	300203	300203	300203	300203	300203	300203	300203
13-H	Inlet/Outlet Flange	002477F	002477F	002477F				
14-H	Flange Gasket	800080B	800080B	800080B				
15-H	U.G. Double w/Piping				007905F	007905F	007905F	007905F
16-H	Unitherm Governor				002493F	002493F	002493F	002493F
17-H	O-Ring				005893F	005893F	005893F	800006F
18-H	Cap Gasket				005894F	005894F	005894F	800007F
19-H	Housing				005895F	005895F	005895F	350469F
20-H	Housing Cap				005896F	005896F	005896F	350429F
21-H	Flange Gasket				005897F	005897F	005897F	800027F
22-H	Bypass Assy (Complete with Thermometer)				N/A	N/A	N/A	N/A
23-H	Pump Inline				006528	006528	006528	006528
24-H	Check Valve				501581	501581	501581	501581
25-H	Thermometer				600133	600133	600133	600133
28-H	Bypass Assy (Complete with Thermometer)	009507F	009507F	009507F	009507F	009507F	009507F	009507F
26-H	Ball Valve WOG				501647	501647	501647	501647
30-H	Bypass Assy (Complete with Thermometer)					012408F	012408F	012408F
31-H	Pump Inline					007348F	007348F	007348F
27-H	Pump Volute 4 1/4" Impeller Pump Volute 4.7" Impeller	004845F	004845F	004845F	004844F 004845F	004844F 004845F	004844F 004845F	004844F 004845F

*FOR ALTITUDES HIGHER THAN 2000 FEET ABOVE SEA LEVEL, CONSULT THE FACTORY.

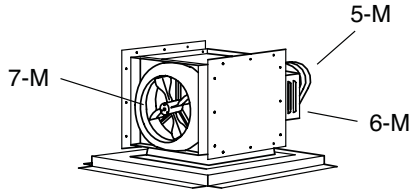
CALL OUT	DESCRIPTION	962 [926]	1125 [1083]	1223 [1178]	1336 [1287]	1468 [1414]	1631 [1571]	1826 [1758]
J	J-BOX							
1-J	J-Box Nat.	002675F	002675F	002675F	002675F	002675F	002675F	002675F
	J-Box Pro./Nat. w/Lockout	002676F	002676F	002676F	002676F	002676F	002676F	002676F
2-J	J-Box Nat.	002227F	002227F	002227F	002227F	002227F	002227F	002227F
	J-Box Pro./Nat. w/Lockout	002230F	002230F	002230F	002230F	002230F	002230F	002230F
	J Box Pro/Nat w/Lockout and Pump Relay				005588F	005588F	005588F	005588F
	J Box Pro/Nat w/Lockout and Pump Relay Board				006494F	006494F	006494F	006494F
3-J	Transformer	006533F	006533F	006533F	006533F	006533F	006533F	006533F
4-J	Toggle Switch	008079F	008079F	008079F	008079F	008079F	008079F	008079F
5-J	Relay-Pump 24V SPDT				007377F	007377F	007377F	007377F
6-J	Pump Relay PC Board				004675F	004675F	004675F	004675F
M	MISCELLANEOUS COMPONENTS							
1-M	Pressure Switch	062237B	062237B	062237B	062237B	062237B	062237B	062237B
2-M	Pressure Switch Tube Assy.	003273F	003273F	003273F	003273F	003273F	003273F	003273F
3-M	PRV 125 PSI	007224F	007224F	007224F	007224F	007224F	007224F	007224F
4-M	Delimiting Kit	052870F	052870F	052870F	052870F	052870F	052870F	052870F
5-M	Temperature & Pressure Gauge				007399F	007399F	007399F	007399F
6-M	Power Vent Motor	951105F	951105F	951105F	951112F	951112F	951112F	951112F
7-M	Power Vent Wheel	951106F	951106F	951106F	951113F	951113F	951113F	951113F
8-M	Power Vent PC Board	005503F	005503F	005503F	005503F	005503F	005503F	005503F
9-M	Power Vent Pressure Switch	601212	601212	601212	601212	601212	601212	601212
P	PILOT							
P-1	Pilot Nat. IID	002234F	002234F	002234F	002234F	002234F	002234F	002234F
	Pilot Pro. IID	002235F	002235F	002235F	002235F	002235F	002235F	002235F
2-P	Pilot Orifice Nat.	600552	600552	600552	600552	600552	600552	600552
	Pilot Orifice Pro.	600894	600894	600894	600894	600894	600894	600894
3-P	Ignition Control Nat.	004817B	004817B	004817B	004817B	004817B	004817B	004817B
	Ignition Control Pro. (Nat. w/Lock)	004818B	004818B	004818B	004818B	004818B	004818B	004818B
4-P	Pilot Mounting Bracket	304665	304665	304665	304665	304665	304665	304665
5-P	Ignition Rod	064839	064839	064839	064839	064839	064839	064839
6-P	Pilot Tube (Specify Length)	400013	400013	400013	400013	400013	400013	400013
7-P	High Tension Wire	002663B	002663B	002663B	002663B	002663B	002663B	002663B
R	REFRACTORY							
1-R	Refractory Kit	001002F	001003F	001004F	001005F	001006F	001511F	001512F
2-R	Refractory Retainer Kit	000987F	000988F	000989F	000990F	000991F	001518F	001519F
S	SHEET METAL							
1-S	Jacket Top (Indoor)	002293F	002294F	002295F	002296F	002297F	002298F	002299F
2-S	Flat Top Assy. (Outdoor)	002312F	002313F	002314F	002315F	002316F	002317F	002318F
3-S	Flue Collector (Indoor)	002248F	002244F	002249F	002250F	002251F	002252F	002253F
4-S	Flue Collector (Outdoor)	002258F	002259F	002260F	002261F	002262F	002263F	002264F
5-S	Door Assy. Left (Indoor)	002265F	002266F	002267F	002268F	002269F	002270F	002271F
	Door Assy. Left (Outdoor)	002279F	002280F	002281F	002282F	002283F	002284F	002285F
	Door Assy. w/Side Latch Brackets (Indoor)*	005337F	005338F	005339F	005340F	005341F	005342F	005343F
6-S	Door Assy. Right (Indoor)	002272F	002273F	002274F	002275F	002276F	002277F	002278F
	Door Assy. Right (Outdoor)	002286F	002287F	002288F	002289F	002290F	002291F	002292F
	Door Assy. w/Side Latch Brackets (Outdoor)*	005330F	005331F	005332F	005333F	005334F	005335F	005336F
7-S	Access Panel Group 2" ("H" UG)	002300F	002300F	002300F				
	Access Panel Group 2 1/2" w/ Pump Header	002304F	002304F	002304F	002304F	002304F	002304F	002304F
	Access Panel Group 2 1/2" w/o Pump	002303F	002303F	002303F	002303F	002303F	002303F	002303F
8-S	J-Box Sheetmetal	002668F	002668F	002668F	002668F	002668F	002668F	002668F
9-S	Pump Cover (Not Shown)	002671F	002671F	002671F	002671F	002671F	002671F	002671F
V	VENTING							
1-V	Stackless Top Kit (Outdoor)	002305F	002306F	002307F	002308F	002309F	002310F	002311F
2-V	Draft Hood (Indoor)	006484	006485	006485	006486	006486	006486	006487

* FOR UNITS BUILT 1995 THRU CURRENT

2100,2500,3001,3500,4001

DATE OF MANUFACTURE: 09-01-84 THRU CURRENT

Reference
IPL 9100.70



J-BOX ASSEMBLY DETAIL

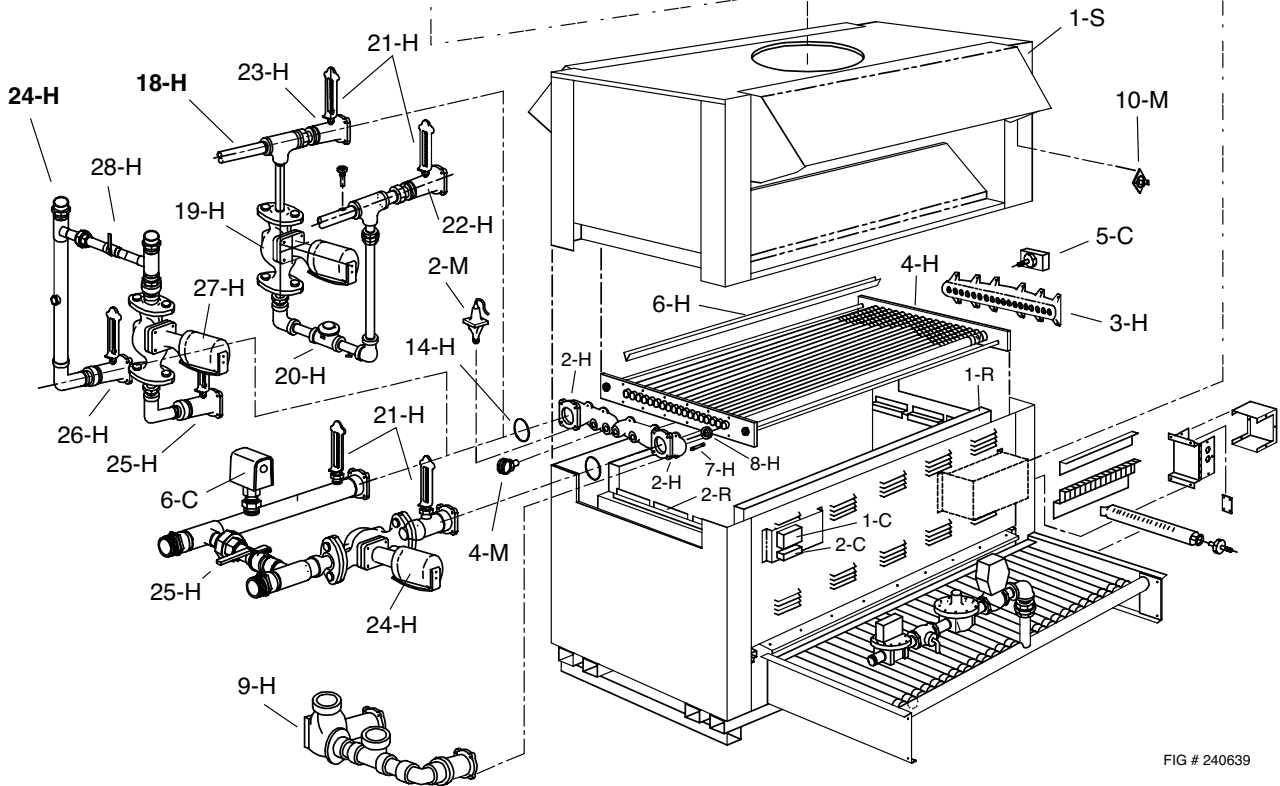
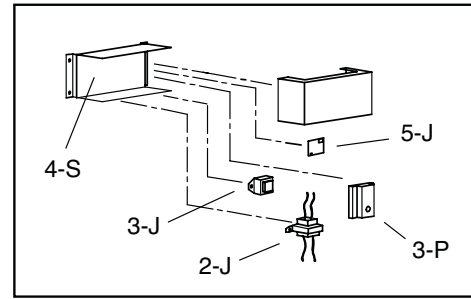
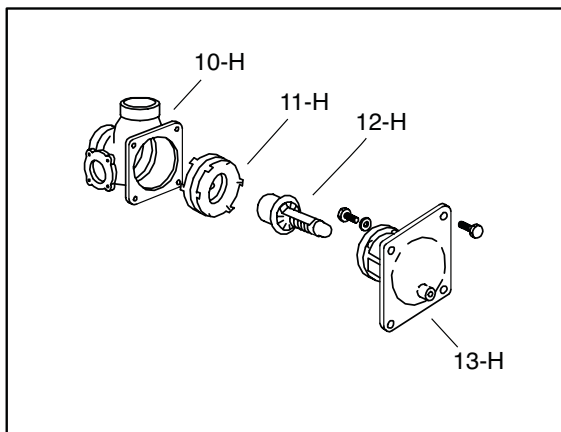
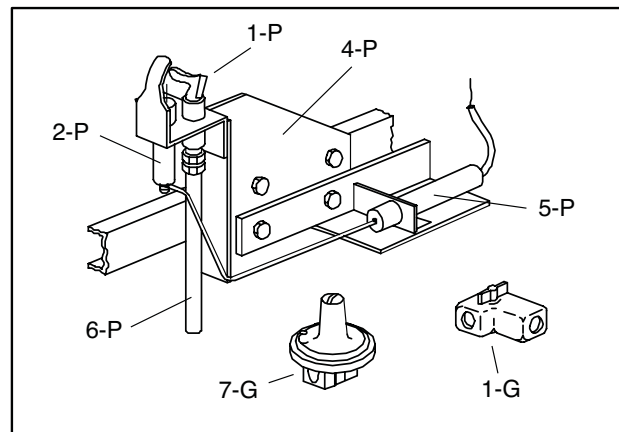


FIG # 240639

UNITHERM GOVERNOR ASSEMBLY



PILOT ASSEMBLY



PARTS-COMMERCIAL

2100,2500,3001,3500,4001

CALL OUT	DESCRIPTION	2100	2500	3001	3500	4001
B BURNER TRAY						
1-B	Burner Tray w/Burners (Sea Level)*	001897F	001898F	001899F	001900F	001901F
	Burner Tray w/o Burners (Sea Level)*	001902F	001903F	001904F	001905F	001906F
2-B	Burner Spacer/Hold Down Bracket	001907F	001908F	001909F	001910F	001911F
3-B	Burner	305846/21	305846/25	305846/30	305846/35	305846/40
4-B	Burner Orifice Nat. #17 (Sea Level)*	350791F/21	350791F/25	350791F/30	350791F/35	350791F/40
	Burner Orifice Pro. #36 (Sea Level)*	351053F/21	351053F/25	351053F/30	351053F/35	351053F/40
C CONTROLS						
1-C	Dualstat Replacement	010863F	010863F	010863F	010863F	010863F
2-C	Manual High Limit 40-180°F	009554F	009554F	009554F	009554F	009554F
4-C	High Pressure Switch			007188F	007188F	007188F
5-C	Low Water Cut Off (Cal Code Only)	006202F	006202F	006202F	006202F	006202F
6-C	Flow Switch	007142F	007142F	007142F	007142F	007142F
7-C	Temp Controller 40-106°F (not shown)	007907F	007907F	007907F	007907F	007907F
8-C	Temp Controller 0-100 °F (not shown)	006040	006040	006040	006040	006040
G GAS VALVE						
1-G	Manual "B" Valve	007195F	007195F	007195F	007195F	007195F
2-G	Manual "A" Valve	007933F	007933F	600043F	600043F	600043F
3-G	Auto On/Off Valve	004095F	004096F			
4-G	Combination Valve Nat.	600633	600633			
	Combination Valve Pro.	600693	600693			
5-G	Valve Actuator Body			600454/2	600454/2	600454/2
6-G	Regulator Nat.			600078	600078	600078
	Regulator Pro.			003614F	003614F	003614F
7-G	Pilot Regulator Nat.	004060F	004060F	004060F	004060F	004060F
	Pilot Regulator Pro.	004061F	004061F	004061F	004061F	004061F
8-G	Actuator On/Off			011908F	011908F	011908F
9-G	Pilot Gas Valve	600562	600562	600154	600154	600154
10-G	High Gas Pressure Switch			007188F	007188F	007188F
H HEAT EXCHANGER						
1-H	Heat Exchanger Assy. (Complete)	001932F	001933F	001934F	001935F	001936F
2-H	Inlet Header	010037F	010037F	010037F	010037F	010037F
29-H	Outlet Header	001967F	001967F	001967F	001967F	001967F
3-H	Return Header	001970F	001970F	001970F	001970F	001970F
4-H	Tube Bundle	001942F	001943F	001944F	001945F	001946F
5-H	Heat Exchange Tube	001952F	001953F	001954F	001955F	001956F
6-H	Baffle Kit	001957F	001958F	001959F	001960F	001961F
7-H	Bolt Kit	001962F	001962F	001962F	001962F	001962F
8-H	Header Gasket	001054F	001054F	001054F	001054F	001054F
9-H	Unitherm Governor (Complete)	N/A	N/A	N/A	N/A	N/A
10-H	Housing	005886F	005886F	005887F	005887F	005887F
11-H	Disc	005888F	005888F	005888F	005888F	005888F
12-H	Element	005889F	005889F	005889F	005889F	005889F
13-H	Cap	005890F	005890F	005890F	005890F	005890F
14-H	O-Ring (2)	005891F	005891F	005891F	005891F	005891F
15-H	Sensor Well 1/2"	350338	350338	350338	350338	350338
16-H	Sensor Well 5/8"	350337	350337	350337	350337	350337
17-H	Well Retaining Clip	300203	300203	300203	300203	300203
18-H	Bypass Pump Assy. (Complete)	N/A	N/A	N/A	N/A	N/A
19-H	Bypass Pump 115V 1/4 HP	007226F	007226F	007226F	007226F	007226F
20-H	Bypass Check Valve	500509	500509	500509	500509	500509
21-H	Thermometer	600133	600133	600133	600133	600133
22-H	Bypass Adapter-Inlet Flange	005592F	005592F	005592F	005592F	005592F
23-H	Bypass Adapter Outlet	005591F	005591F	005591F	005591F	005591F
24-H	Recirculating Assy Complete	007749F	007749F	007749F	007749F	007749F
25-H	Recirculating Adapter inlet	005591F	005591F	005591F	005591F	005591F
26-H	Recirculating Adapter Outlet	007866F	007866F	007866F	007866F	007866F
27-H	In Line 2 H.P. Pump	951276	951276	951276	951276	951276
28-H	2" Slip Ball Valve	601494	601494	601494	601494	601494

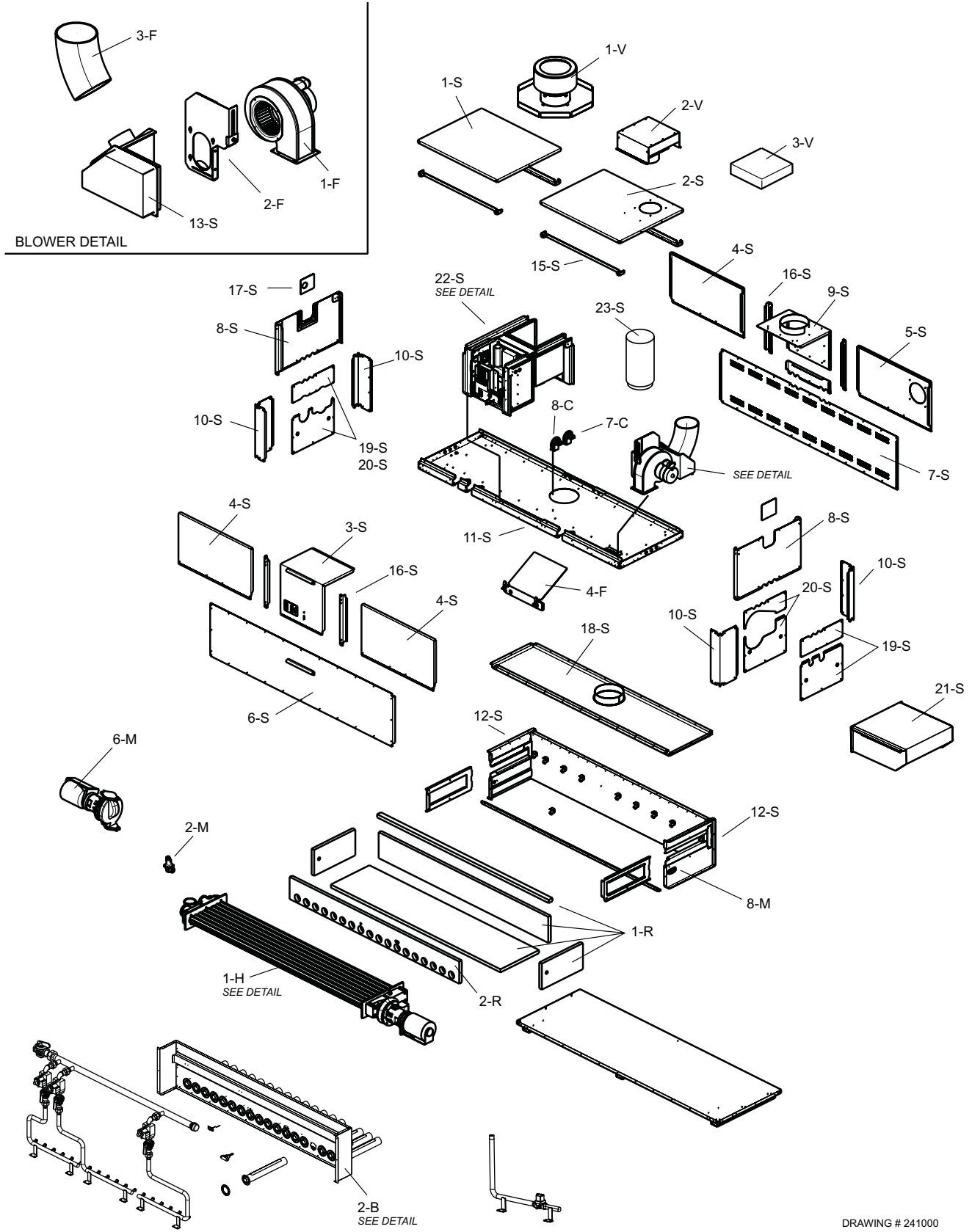
*FOR ALTITUDES ABOVE 2,000 FEET ABOVE SEA LEVEL, CONSULT THE FACTORY.

2100,2500,3001,3500,4001

CALL OUT	DESCRIPTION	2100	2500	3001	3500	4001
J						
J-BOX						
1-J	J-Box	002614F	002614F	002615F	002615F	002615F
	J-Box with Pump Relay	005589F	005589F	005590F	005590F	005590F
2-J	Transformer	006533F	006533F	006533F	006533F	006533F
3-J	Relay SPDT 24V	007377F	007377F	007377F	007377F	007377F
	Relay SPDT 120V			008145F	008145F	008145F
4-J	Toggle Switch	008079F	008079F	008079F	008079F	008079F
	Toggle Switch DPST	650958	650958	650958	650958	650958
5-J	Pump Relay PC Board	004675F	004675F	004675F	004675F	004675F
M						
MISCELLANEOUS COMPONENTS						
1-M	Pressure Switch	062237B	062237B	062237B	062237B	062237B
2-M	PRV 125 PSI	007759F	007759F	007759F	012312F	012312F
3-M	Delimiting Kit	052870F	052870F	052870F	052870F	052870F
4-M	T & P Gauge	007399F	007399F	007399F	007399F	007399F
5-M	Power Vent Motor	951155F	951155F	951156F	951156F	951156F
6-M	Power Vent Motor Drive Belt	951158F	951158F	951158F	951158F	951158F
7-M	Power Vent Discharge Fan	951159F	951159F	951160F	951160F	951160F
8-M	Power Vent Shaft/Bearing Assy.	951161F	951161F	951162F	951162F	951162F
9-M	Power Vent PC Board	005503F	005503F	005503F	005503F	005503F
10-M	Power Vent Flue Sensor	006433F	006433F	006433F	006433F	006433F
11-M	120V Coil Contactor (Not Shown)	007906F	007906F	007906F	007906F	007906F
P						
PILOT						
1-P	Pilot Nat. IID	002084F	002084F	002084F	002084F	002084F
	Pilot Pro. IID	002085F	002085F	002085F	002085F	002085F
2-P	Pilot Orifice Nat.	600552	600552	600552	600552	600552
	Pilot Orifice Pro.	600894	600894	600894	600894	600894
3-P	Ignition Control	004818B	004818B	004818B	004818B	004818B
4-P	Pilot Mounting Bracket	305847	305847	305847	305847	305847
5-P	Ignition Rod	064839	064839	064839	064839	064839
6-P	Pilot Tube (Specify Length)	400013	400013	400013	400013	400013
7-P	High Tension Wire	002663B	002663B	002663B	002663B	002663B
R						
REFRACTORY						
1-R	Refractory Kit	001971F	001972F	001973F	001974F	001975F
2-R	Refractory Retainer Kit	001976F	001977F	001978F	001979F	001980F
3-R	Refractory Heat Shield	010226F	010226F	010226F	010226F	010226F
S						
SHEET METAL						
1-S	Draft Hood Top Assy.	002079F	002080F	002081F	002082F	002083F

302,402,502,652,752,902 (HI DELTA)

DATE OF MANUFACTURE: 12-01-98 THRU CURRENT

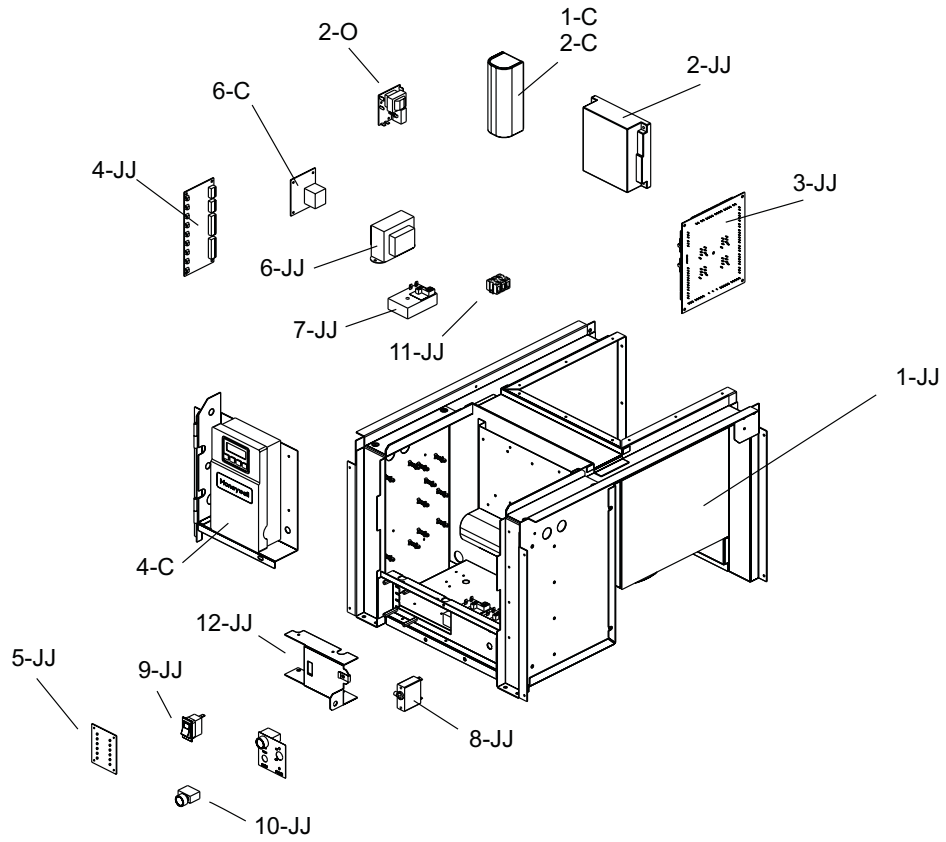


PARTS-COMMERCIAL

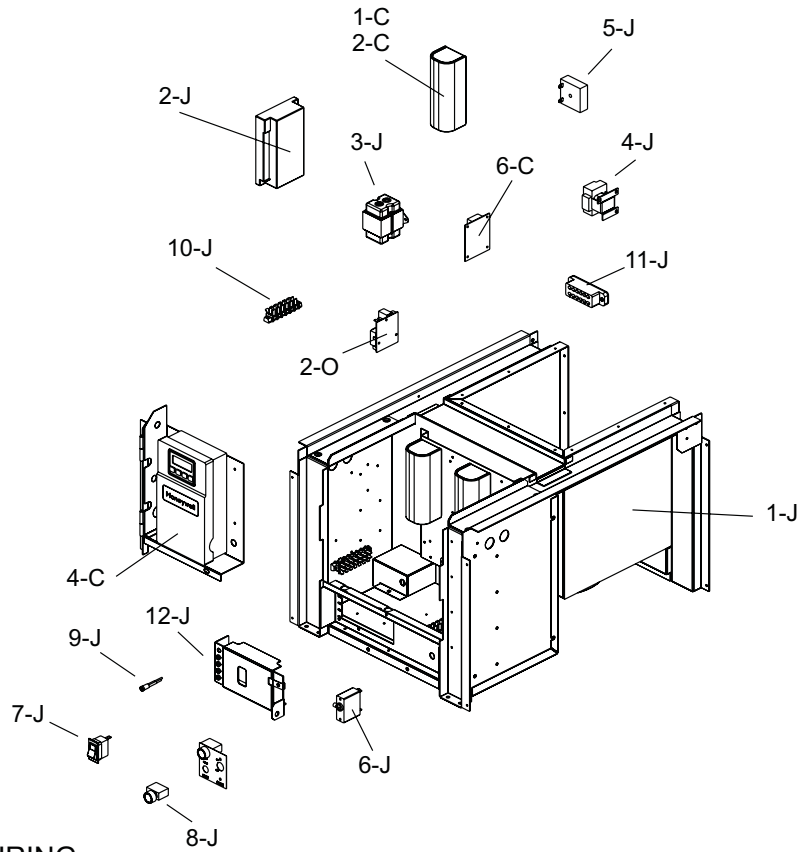
Reference
IPL 9300.75

DRAWING # 241000

302,402,502,652,752,902 (HI DELTA)



CENTRAL POINT WIRING (CPW)



POINT TO POINT WIRING

PARTS-COMMERCIAL

302,402,502,652,752,902 (HI DELTA)

PARTS-COMMERCIAL

CALL OUT	DESCRIPTION	302	402	502	652	752	902
B	BURNER ASSEMBLY						
1-B	Burner Assy w/Burners	007430F	007431F	007432F	007433F	007434F	007435F
2-B	Burner Mounting Assy	007436F	007437F	007438F	007439F	007440F	007441F
3-B	Burner	007442F	007442F	007442F	007442F	007442F	007442F
4-B	Seal Gasket	007443F	007443F	007443F	007443F	007443F	007443F
5-B	Manifold Upper	N/A	N/A	007444F	007444F	007444F	007445F
6-B	Manifold Lower	007446F	007447F	007448F	007449F	007450F	007451F
7-B	Burner Orifice Nat.#47	351414 / 6	351414 / 8	351414 / 10	351414 / 13	351414 / 15	351414 / 18
	Burner Orifice Pro.#57	351442 / 6	351442 / 8	351442 / 10	351442 / 13	351442 / 15	351442 / 18
C	CONTROLS						
1-C	Manual Hi Limit 240	007144F	007144F	007144F	007144F	007144F	007144F
	Manual Hi Limit 200 Degree Max WH	008081F	008081F	008081F	008081F	008081F	008081F
2-C	Adj. Auto Hi Limit 240	007141F	007141F	007141F	007141F	007141F	007141F
	Adj. Auto Hi Limit 200 Degree Max WH	006445F	006445F	006445F	006445F	006445F	006445F
3-C	Remote Aquastat (Tankstat) (B-2)	007148F	007148F	007148F	007148F	007148F	007148F
	Remote Aquastat (Tankstat) 2-Stage (B-3)	007392F	007392F	007392F	007392F	007392F	007392F
	Controller 2-Stage (B-4)	007393F	007393F	007393F	007393F	007393F	007393F
	Controller 2-Stage (B-6)	007392F	007392F	007392F	007392F	007392F	007392F
	Controller 2-Stage (B-8)	007394F	007394F	007394F	007394F	007394F	007394F
	Remote Aquastat (Tankstat) 2-Stage (B-9)	006760F	006760F	006760F	006760F	006760F	006760F
4-C	Controller 2-Stage (B-11 / B-12) Digital	007395F	007395F	007395F	007395F	007395F	007395F
	Controller on/off (B-20) Digital	006445F	006445F	006445F	006445F	006445F	006445F
5-C	Flow Switch	007142F	007142F	007142F	007142F	007142F	007142F
6-C	Economaster II Control	004675F	004675F	004675F	004675F	004675F	004675F
7-C	Switch Air Pressure N.C.	007158F	007158F	007158F	007158F	007158F	007158F
8-C	Switch Air Pressure N.O.	008171F	008171F	008171F	008171F	008171F	008171F
F	Fan						
1-F	Blower Combustion Air	007414F	007414F	007414F	007414F	007414F	007414F
2-F	Air Shutter Assembly	007416F	007416F	007416F	007416F	007416F	007416F
3-F	Hose Duct 4"	007417F	007417F	N/A	N/A	N/A	N/A
4-F	Hose Duct 6"	N/A	N/A	N/A	007418F	007418F	007418F
	Damper	008851F	008851F	008851F	008851F	008851F	008851F
G	GAS VALVES						
1-G	Main Valve Gas Manual A 3/4"	007421F	007421F	N/A	N/A	N/A	N/A
	Main Valve Gas Manual A 1-1/4"	N/A	N/A	007190F	007190F	007190F	007190F
2-G	Valve Gas Manual A 3/4"	007421F	007421F	007421F	007421F	007421F	007421F
3-G	Bleedle Valve 1/4"	007422F	007422F	007422F	007422F	007422F	007422F
	Bleedle Valve 1/8"	007423F	007423F	007423F	007423F	007423F	007423F
4-G	Combination Gas Valve On/Off Nat 3/4"	007424F	007424F	007424F	007424F	007424F	007424F
	Combination Gas Valve On/Off Pro 3/4"	007425F	007425F	007425F	007425F	007425F	007425F
5-G	Switch Low Gas Pressure (optional)	007187F	007187F	007187F	007187F	007187F	007187F
6-G	Switch High Gas Pressure (optional) Not Shown	007188F	007188F	007188F	007188F	007188F	007188F
7-G	Solenoid Gas Valve	008407F	008407F				
H	HEAT EXCHANGER						
1-H	Heat Exch Assy Cast Iron	007452F	007453F	007454F	007455F	007456F	007457F
	Heat Exch Assy Brass	007458F	007459F	007460F	007461F	007462F	007463F
	Heat Exch Assy Cast Iron w/Pump Hdr	N/A	N/A	007466F	007467F	007468F	007469F
	Heat Exch Assy Brass w/Pump Hdr	N/A	N/A	007472F	007473F	007474F	007475F
	Heat Exch Assy Cast Iron Cupro Nickel	007476F	007477F	007478F	007479F	007480F	007481F
	Heat Exch Assy Brass Cupro Nickel	007482F	007483F	007484F	007485F	007486F	007487F
	Heat Exch Assy Cast Iron w/Pump Hdr Cupro Nickel	N/A	N/A	007490F	007491F	007492F	007493F
	Heat Exch Assy Brass w/Pump Hdr Cupro Nickel	N/A	N/A	007496F	007497F	007498F	007499F
	Heat Exch Assy Brass w/Pump Hdr Cupro Nickel	N/A	N/A	009069F	009070F	009071F	009072F
2-H	Inlet/Outlet Header Cast Iron	007500F	007500F	007500F	007500F	007500F	007500F
	Inlet/Outlet Header Brass	007501F	007501F	007501F	007501F	007501F	007501F
3-H	Return Header Cast Iron	007502F	007502F	007502F	007502F	007502F	007502F
	Return Header Brass	007503F	007503F	007503F	007503F	007503F	007503F
	Return Header Brass (Pool)	010857F	010857F	010857F	010857F	010857F	010857F
4-H	Return Pump Header Cast Iron	N/A	N/A	007504F	007504F	007504F	007504F
	Return Pump Header Brass	N/A	N/A	007505F	007505F	007505F	007505F
5-H	Tube Bundle	007506F	007507F	007508F	007509F	007510F	007511F
	Tube Bundle Cupro Nickel	007512F	007513F	007514F	007515F	007516F	007517F
6-H	Heat Exchange Tube	007518F	007519F	007520F	007521F	007522F	007523F
	Heat Exchange Tube Cupro Nickel	007524F	007525F	007526F	007527F	007528F	007529F
7-H	Baffle Kit	007530F	007531F	007532F	007533F	007534F	007535F
8-H	Stud Bolt Kit	007536F	007536F	007536F	007536F	007536F	007536F
	Stud Bolt Kit w/Pump Header	N/A	N/A	007537F	007537F	007537F	007537F
9-H	Header Gasket	800001B	800001B	800001B	800001B	800001B	800001B
10-H	Sensor Well	007211F	007211F	007211F	007211F	007211F	007211F
11-H	Well Retaining Clip	300203	300203	300203	300203	300203	300203

302,402,502,652,752,902 (HI DELTA)

CALL OUT	DESCRIPTION	302	402	502	652	752	902
J CONTROL BOX (Point to Point Wiring)							
1-J	Flue/Junction Box (Use 1-JJ)	N/A	N/A	N/A	N/A	N/A	N/A
2-J	Ignition Control	007374F	007374F	007374F	007374F	007374F	007374F
3-J	Transformer	007494F	007494F	007494F	007494F	007494F	007494F
4-J	Relay SPST 24V	008090F	008090F	008090F	008090F	008090F	008090F
	Relay DPST 24V NO	N/A	N/A	007376F	007376F	007376F	007376F
	Relay SPST 24V NO	N/A	N/A	N/A	N/A	N/A	007377F
5-J	Time Delay Contactor	N/A	N/A	007378F	007378F	007378F	007378F
6-J	Automatic Shut Down Switch	007380F	007380F	007380F	007380F	007380F	007380F
7-J	On/Off Switch	007379F	007379F	007379F	007379F	007379F	007379F
8-J	Momentary Switch	005641F	005641F	005641F	005641F	005641F	005641F
9-J	Lamp 28V	007381F	007381F	007381F	007381F	007381F	007381F
10-J	Terminal Block (3 Space)	007382F	007382F	007382F	007382F	007382F	007382F
	Terminal Block (4 Space)	007383F	007383F	007383F	007383F	007383F	007383F
	Terminal Block (6 Space)	007384F	007384F	007384F	007384F	007384F	007384F
	Terminal Block (7 Space)	007385F	007385F	007385F	007385F	007385F	007385F
11-J	Terminal Block (12 Space)	007386F	007386F	007386F	007386F	007386F	007386F
	Terminal Block (16 Space)	007387F	007387F	007387F	007387F	007387F	007387F
12-J	Lamp / Switch Mtg Panel	007396F	007397F	007397F	007398F	007398F	007398F
JJ CONTROL BOX (Central Point Wiring)							
1-JJ	Flue/Junction Box	007368F	007369F	007370F	007371F	007371F	007372F
2-JJ	Ignition Control	007374F	007374F	007374F	007374F	007374F	007374F
3-JJ	Printed Circuit Board CPW	007898F	007898F	007899F	007899F	007899F	007900F
13-JJ	Relay SPDT 24V (K1) (Not Shown)	009687F	009687F	009687F	009687F	009687F	009687F
	Relay DPDT 24V (K1,K2,K3) (Not Shown)	N/A	N/A	009688F	009688F	009688F	009688F
4-JJ	Printed Circuit Board U2	007147F	007147F	007147F	007147F	007147F	007147F
5-JJ	Printed Circuit Board Status Lights	007896F	007896F	007896F	007896F	007896F	007896F
6-JJ	Transformer 100 VA	007494F	007494F	007494F	007494F	007494F	007494F
7-JJ	Time Delay Contactor	007897F	007897F	007897F	007897F	007897F	007897F
8-JJ	Automatic Shut Down Switch	007380F	007380F	007380F	007380F	007380F	007380F
9-JJ	On/Off Switch	006872F	006872F	006872F	006872F	006872F	006872F
10-JJ	Momentary Switch	005641F	005641F	005641F	005641F	005641F	005641F
11-JJ	Terminal Block (3 Space)	007382F	007382F	007382F	007382F	007382F	007382F
12-JJ	Switch Mtg Panel	007889F	007890F	007890F	007891F	007891F	007891F
M MISCELLANEOUS							
1-M	Flow Switch Paddle	004079F	004079F	004079F	004079F	004079F	004079F
2-M	PRV 30 PSI	007470F	007470F	007217F	007218F	007219F	007748F
	PRV 45 PSI	007220F	007220F	007220F	007346F	007221F	007221F
	PRV 60 PSI	007222F	007222F	007222F	007222F	007222F	007222F
	PRV 75 PSI	007223F	007223F	007223F	007223F	007223F	007223F
	PRV 125 PSI	007224F	007224F	007224F	007224F	007224F	007224F
	PRV 150 PSI	007225F	007225F	007225F	007225F	007225F	007225F
3-M	Deliming Kit	052870F	052870F	052870F	052870F	052870F	052870F
4-M	T & P Gauge (H)	007205F	007205F	007205F	007205F	007205F	007205F
	T & P Gauge (W)	007399F	007399F	007399F	007399F	007399F	007399F
5-M	Integral Pump 4-1/4 Impeller	N/A	N/A	004844F	004844F	004844F	004844F
	Integral Pump 4.7 Impeller	N/A	N/A	004845F	004845F	004845F	004845F
6-M	Pump Inline CIBF	007746	007746	N/A	N/A	N/A	N/A
	Pump Inline BR	007747	007747	N/A	N/A	N/A	N/A
7-M	RTV Sealant 10 oz	005755F	005755F	005755F	005755F	005755F	005755F
8-M	Window Combustion Chamber	006947F	006947F	006947F	006947F	006947F	006947F
9-M	Flame Sensor	006535F	006535F	006535F	006535F	006535F	006535F
10-M	Ignitor	007400F	007400F	007400F	007400F	007400F	007400F
11-M	Fiberfrax Strip Insulation 1" Wide	008405F	008405F	008405F	008406F	008406F	008406F
12-M	Pump Cartridge	951153F	951153F				
13-M	Pump Gasket	008749F	008749F				
O OPTIONS							
1-O	Remote Sensor for Low Water Cut-Off	007228F	007228F	007228F	007228F	007228F	007228F
2-O	Low Water Cut Off PC Board	007157F	007157F	007157F	007157F	007157F	007157F
R REFRACTORY							
1-R	Refractory Kit (All Panels)	007401F	007402F	007403F	007404F	007405F	007406F
2-R	Refractory Front Panel (2 Panels)	007407F	007408F	007409F	007410F	007411F	007412F

PARTS-COMMERCIAL

302,402,502,652,752,902 (HI DELTA)

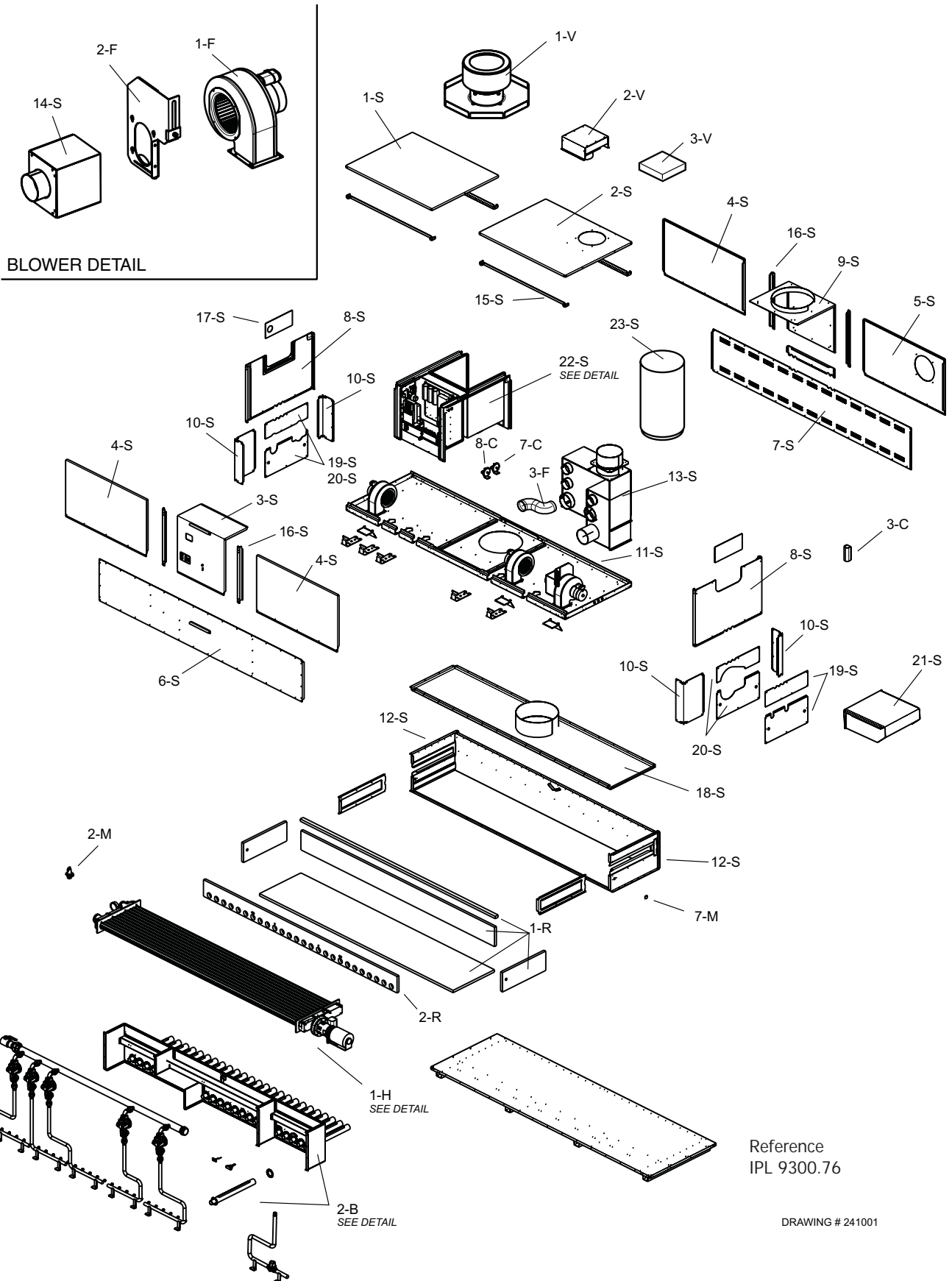
PARTS-COMMERCIAL

CALL OUT	DESCRIPTION	302	402	502	652	752	902
S	SHEETMETAL						
1-S	Jacket Top	007538F	007539F	007540F	007541F	007542F	007543F
2-S	Jacket Top w/ Air Intake	007544F	007545F	007546F	007547F	007548F	007549F
3-S	Upfront Control Panel (5 Indicator Lights)	007550F	007551F	007551F	007552F	007552F	007552F
	Upfront Control Panel (8 Indicator Lights)	007553F	007554F	007554F	007555F	007555F	007555F
	Upfront Control Panel w/ Window (5 Indicator Lights)	007556F	007557F	007557F	007558F	007558F	007558F
	Upfront Control Panel w/ Window (8 Indicator Lights)	007559F	007560F	007560F	007561F	007561F	007561F
4-S	Upper Control Access Jacket Panel	007562F	007563F	007564F	007565F	007566F	007567F
5-S	Upper Control Access Jacket Panel w/ Air Intake	007568F	007569F	007570F	007571F	007572F	007573F
6-S	Lower Front Jacket Panel	007574F	007575F	007576F	007577F	007578F	007579F
7-S	Lower Rear Jacket Panel	007580F	007581F	007582F	007583F	007584F	007585F
8-S	Upper Side Jacket Panel	007586F	007586F	007586F	007586F	007586F	007586F
9-S	Rear Exhaust Cover Panel	007587F	007588F	007588F	007589F	007589F	007589F
10-S	Lower Corner Supports	007590F	007590F	007590F	007590F	007590F	007590F
11-S	Center Support Panel (Consult Factory)	N/A	N/A	N/A	N/A	N/A	N/A
12-S	Left & Right Heat Exchanger Support (Consult Factory)	N/A	N/A	N/A	N/A	N/A	N/A
13-S	Blower Intake Box	007602F	007602F	N/A	N/A	N/A	N/A
14-S	Blower Adapter	N/A	N/A	007603F	007604F	007604F	007604F
15-S	Support Horizontal	007591F	007592F	007593F	007594F	007595F	007596F
16-S	Support Vertical	007597F	007597F	007597F	007597F	007597F	007597F
17-S	Gas Access Panel	007598F	007598F	007599F	007599F	007599F	007599F
18-S	Flue Collector Top	007879F	007880F	007881F	007882F	007883F	007884F
19-S	Access Panel	007600F	007600F	007600F	007600F	007600F	007600F
20-S	Access Panel w/Pump	007601F	007601F	007601F	007601F	007601F	007601F
21-S	Pump Cover	002671F	002671F	002671F	002671F	002671F	002671F
22-S	J Box Sheetmetal	007388F	007389F	007389F	007390F	007390F	007390F
23-S	Flue Sleeve	008725F	008726F	008726F	008727F	008727F	008727F
V	VENTING						
1-V	Stackless Top Kit (Outdoor)	008862	008863	008863	008864	008864	008864
2-V	Intake Filter Box Mounted	007099	007099	007099	007100	007100	007100
3-V	Filter Media	008401F	008401F	008401F	008402F	008402F	008402F
CONVERSION KITS*							
2 Stage Manifold to Split Manifold							
	Natural	008152F	008150F	N/A	N/A	N/A	N/A
	Propane	008151F	008050F	N/A	N/A	N/A	N/A

*For gas conversions, please contact the factory for information.

992,1262,1532,1802,2002,2072,2342 (HI DELTA)

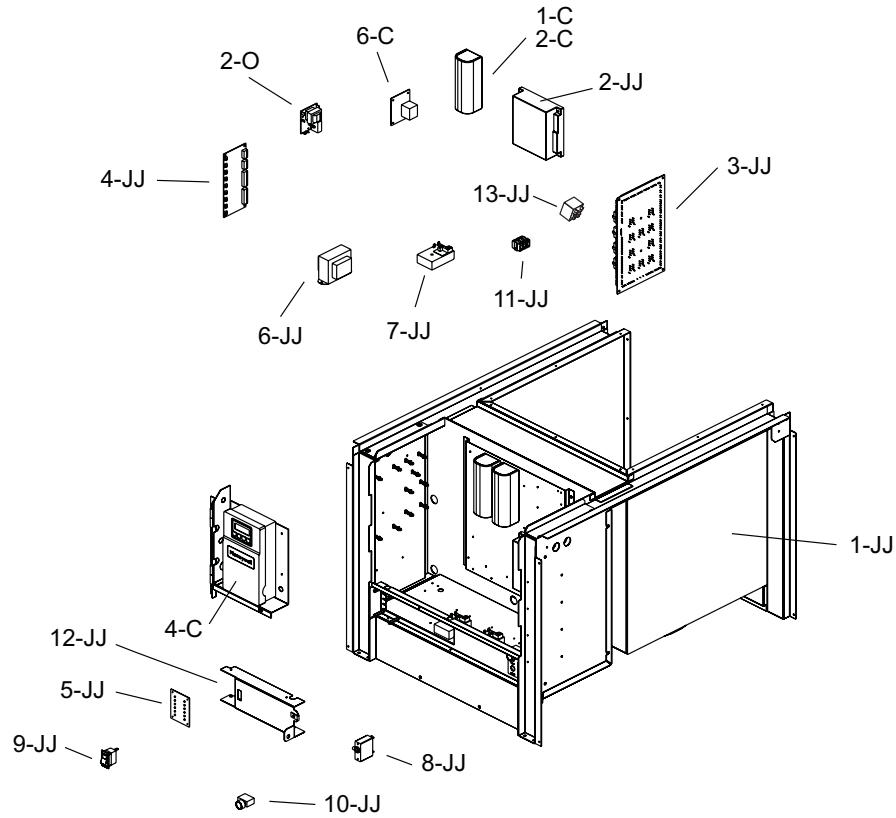
DATE OF MANUFACTURE: 12-01-98 THRU CURRENT



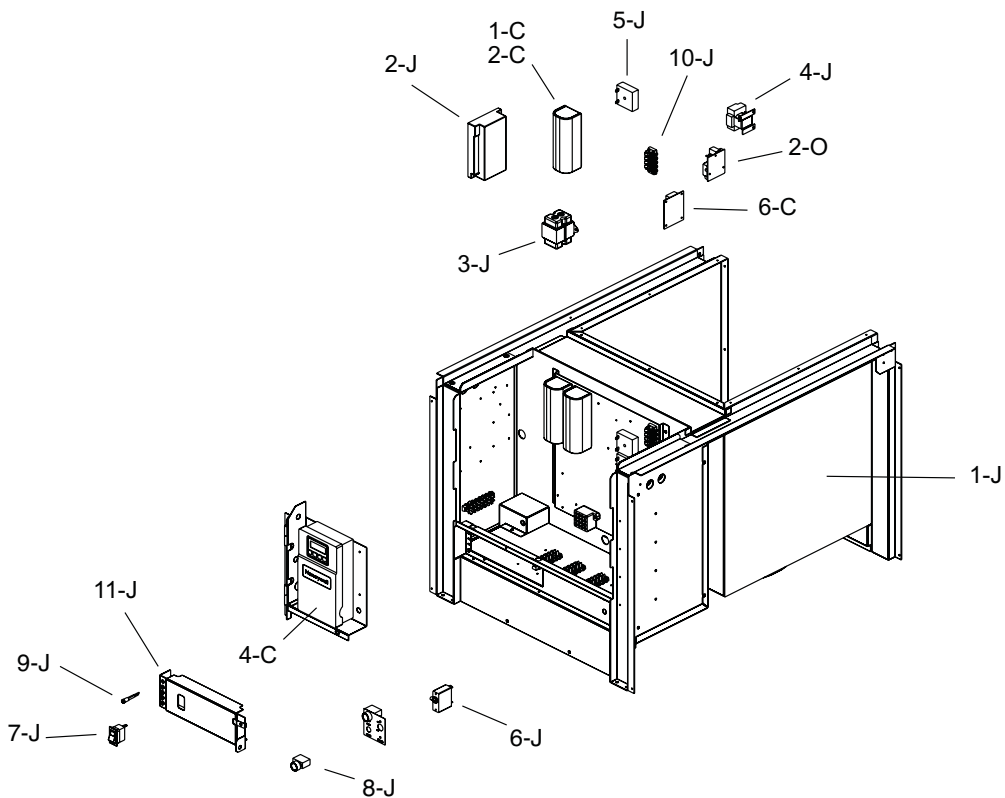
PARTS-COMMERCIAL

Reference
IPL 9300.76

DRAWING # 241001



CENTRAL POINT WIRING (CPW)



POINT TO POINT WIRING

CALL OUT	DESCRIPTION	992	1262	1532	1802	2002	2072	2342
B BURNER ASSEMBLY								
1-B	Burner Assy w/Burners	007605F	007606F	007607F	007608F	007609F	007609F	007610F
2-B	Burner Mounting Assy	007611F	007612F	007613F	007614F	007615F	007615F	007616F
3-B	Burner	007617F	007617F	007617F	007617F	007617F	007617F	007617F
4-B	Seal Gasket	007443F	007443F	007443F	007443F	007443F	007443F	007443F
5-B	Manifold Upper	007651F	007652F	007653F	007654F	007655F	007655F	007656F
6-B	Manifold Lower	007657F	007658F	007659F	007660F	007661F	007661F	007662F
	Manifold Lower (Split)	008918F	N/A	N/A	N/A	N/A	N/A	N/A
7-B	Burner Orifice Nat.#33	351444 / 11	351444 / 14	351444 / 17	351444 / 20		351444 / 23	351444 / 26
	Burner Orifice Nat.#35	N/A	N/A	N/A	N/A	351618 / 23	N/A	N/A
	Burner Orifice Pro.#52	351445 / 11	351445 / 14	351445 / 17	351445 / 20	N/A	351445 / 23	351445 / 26
C CONTROLS								
1-C	Manual Hi Limit 240 Degree Max	007144F	007144F	007144F	007144F	007144F	007144F	007144F
	Manual Hi Limit 200 Degree Max WH	008081F	008081F	008081F	008081F	008081F	008081F	008081F
2-C	Adj. Auto Hi Limit 240 Degree Max	007141F	007141F	007141F	007141F	007141F	007141F	007141F
	Adj. Auto Hi Limit 200 Degree Max WH	006445F	006445F	006445F	006445F	006445F	006445F	006445F
	Fixed Auto 130 Hi Limit Pool	600892F	600892F	600892F	600892F	600892F	600892F	600892F
	Fixed Auto 140 Hi Limit Pool	600893F	600893F	600893F	600893F	600893F	600893F	600893F
3-C	Remote Aquastat (Tankstat) (B-2)	007148F	007148F	007148F	007148F	007148F	007148F	007148F
	Remote Aquastat (Tankstat) 2-Stage (B-3)	007392F	007392F	007392F	007392F	007392F	007392F	007392F
	Controller 2-Stage (B-4)	007393F	007393F	007393F	007393F	007393F	007393F	007393F
	Controller 2-Stage (B-6)	007392F	007392F	007392F	007392F	007392F	007392F	007392F
	Controller 2-Stage (B-8)	007394F	007394F	007394F	007394F	007394F	007394F	007394F
	Remote Aquastat (Tankstat) 2-Stage (B-9)	006760F	006760F	006760F	006760F	006760F	006760F	006760F
4-C	Controller 2-Stage (B-11) Digital	007395F	007395F	007395F	007395F	007395F	007395F	007395F
	Controller 2-Stage (B-12) Digital	007395F	007395F	007395F	007395F	007395F	007395F	007395F
	Controller 2-Stage (B-13) Digital	007464F	007464F	007464F	007464F	007464F	007464F	007464F
	Controller 4-Stage (B-14) Digital	007465F	007465F	007465F	007465F	007465F	007465F	007465F
	Controller 4-Stage (B-15) Digital	007465F	007465F	007465F	007465F	007465F	007465F	007465F
	Controller On/Off (B-20)	006445F	006445F	006445F	006445F	006445F	006445F	006445F
	Temp Controller (Pool) (Not Shown)	007907F	007907F	007907F	007907F	007907F	007907F	007907F
5-C	Flow Switch	007142F	007142F	007142F	007142F	007142F	007142F	007142F
6-C	Economaster II Control	004675F	004675F	004675F	004675F	004675F	004675F	004675F
7-C	Switch Air Pressure N.C.	007158F	007158F	007158F	007158F	007158F	007158F	007158F
8-C	Switch Air Pressure N.O.	008171F	008171F	008171F	008171F	008171F	008171F	008171F
F Fan								
1-F	Blower Combustion Air (Left Hand)	007413F	007413F	007413F	007413F	007413F	007413F	007413F
	Blower Combustion Air (Right Hand)	007414F	007414F	007414F	007414F	007414F	007414F	007414F
2-F	Air Shutter Assembly (Left Hand)	007663F	007663F	007663F	007663F	007663F	007663F	007663F
	Air Shutter Assembly (Right Hand)	007664F	007664F	007664F	007664F	007664F	007664F	007664F
3-F	Hose Duct 4"	007419F	007419F	007419F	007419F	007419F	007419F	007419F
	Hose Duct 6"	007420F	007420F	007420F	007420F	007420F	007420F	007420F
4-F	Damper	008698F	008698F	008698F	008698F	008698F	008698F	008698F
5-F	Filter Mounting Bracket	008976F	008976F	008976F	008976F	008976F	008976F	008976F
	Filter	008923F	008923F	008923F	008923F	008923F	008923F	008923F
G GAS VALVES								
1-G	Main Valve Gas Manual A 2"	007665F	007665F	007665F	007665F	007665F	007665F	007665F
2-G	Valve Gas Manual A 3/4"	007421F	007421F	007421F	007421F	007421F	007421F	007421F
3-G	Bleedle Valve 1/4"	007422F	007422F	007422F	007422F	007422F	007422F	007422F
	Bleedle Valve 1/8"	007423F	007423F	007423F	007423F	007423F	007423F	007423F
4-G	Combination Gas Valve Nat 3/4"	007666F	007666F	007666F	007666F	007666F	007666F	007666F
	Combination Gas Valve Pro 3/4"	007667F	007667F	007667F	007667F	007667F	007667F	007667F
	Combination Gas Valve Nat 3/4" 2 STG	007428F						
	Combination Gas Valve Pro 3/4" 2 STG	007427F						
5-G	Switch Low Gas Pressure		007187F	007187F	007187F	007187F	007187F	007187F
6-G	Switch High Gas Pressure (optional) Not Shown	007188F	007188F	007188F	007188F	007188F	007188F	007188F
7-G	Solenoid Gas Valve	008407F						
H HEAT EXCHANGER								
1-H	Heat Exch Assy Cast Iron	007668F	007669F	007670F	007671F	007672F	007672F	007673F
	Heat Exch Assy Brass	007674F	007675F	007676F	007677F	007678F	007678F	007679F
	Heat Exch Assy Cast Iron w/Pump Hdr	007680F	007681F	007682F	007683F	007684F	007684F	007685F
	Heat Exch Assy Brass w/Pump Hdr	007686F	007687F	007688F	007689F	007690F	007690F	007691F
	Heat Exch Assy Cast Iron Cupro Nickel	007692F	007693F	007694F	007695F	007696F	007696F	007697F
	Heat Exch Assy Brass Cupro Nickel	007698F	007699F	007700F	007701F	007702F	007702F	007703F
	Heat Exch Assy Brass Cupro Nickel (Pool)				009086F	009087F	009087F	009088F
	Heat Exch Assy Cast Iron w/Pump Hdr Cupro Nickel	007704F	007705F	007706F	007707F	007708F	007708F	007709F
	Heat Exch Assy Brass w/Pump Hdr Cupro Nickel	007710F	007711F	007712F	007713F	007714F	007714F	007715F
	Heat Exch Assy Brass w/Pump Hdr Cupro Nickel (Pool)	009089F	009090F	009091F				
2-H	Inlet/Outlet Header Cast Iron	007716F	007716F	007716F	007716F	007716F	007716F	007716F
	Inlet/Outlet Header Brass	007717F	007717F	007717F	007717F	007717F	007717F	007717F
3-H	Return Header Cast Iron	007718F	007718F	007718F	007718F	007718F	007718F	007718F
	Return Header Brass	007719F	007719F	007719F	007719F	007719F	007719F	007719F
	Return Header (Pool)				010858F	010858F	010858F	010858F
4-H	Return Pump Header Cast Iron	007720F	007720F	007720F	007720F	007720F	007720F	007720F
	Return Pump Header Brass	007721F	007721F	007721F	007721F	007721F	007721F	007721F
	Return Pump Header (Pool)	009085F	009085F	009085F				
5-H	Tube Bundle	007722F	007723F		007724F	007725F	007726F	007727F
	Tube Bundle Cupro Nickel	007728F	007729F	007730F	007731F	007732F	007732F	007733F
6-H	Heat Exchange Tube	007734F	007735F	007736F	007737F	007738F	007738F	007739F
	Heat Exchange Tube Cupro Nickel	007740F	007741F	007742F	007743F	007744F	007744F	007745F
7-H	Baffle Kit	007858F	007859F	007860F	007861F	007862F	007862F	007863F
8-H	Stud Bolt Kit	007828F	007828F	007828F	007828F	007828F	007828F	007828F
	Stud Bolt Kit w/Pump Header	007829F	007829F	007829F	007829F	007829F	007829F	007829F
9-H	Header Gasket	007834F	007834F	007834F	007834F	007834F	007834F	007834F
10-H	Sensor Well	007211F	007211F	007211F	007211F	007211F	007211F	007211F
11-H	Well Retaining Clip	300203	300203	300203	300203	300203	300203	300203

992,1262,1532,1802,2002,2072,2342 (HI DELTA)

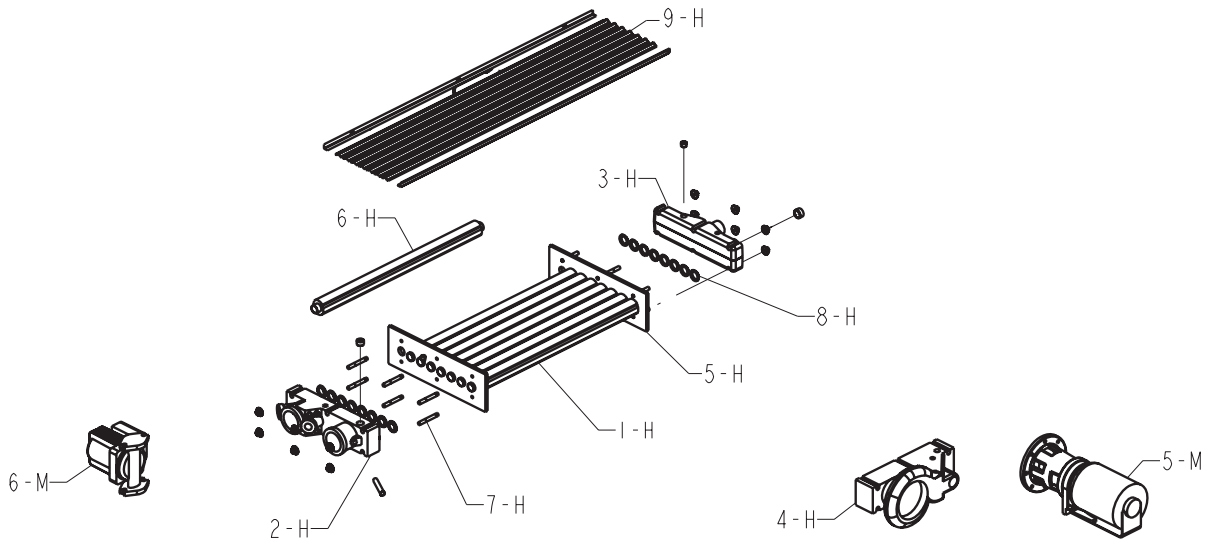
CALL OUT	DESCRIPTION	992	1262	1532	1802	2002	2072	2342
J	CONTROL BOX (Point to Point Wiring)							
1-J	Flue/Junction Box (Use 1-JJ)	N/A	N/A	N/A	N/A	N/A	N/A	N/A
2-J	Ignition Control	007374F	007374F	007374F	007374F	007374F	007374F	007374F
3-J	Transformer 100 VA	007494F	007494F	007494F	007494F	007494F	007494F	007494F
4-J	Relay SPST 24V	008090F	008090F	008090F	008090F	008090F	008090F	008090F
	Relay DPST 24V NO	007376F	007376F	007376F	007376F	007376F	007376F	007376F
	Relay SPST 24V NO	007377F	007377F	007377F	007377F	007377F	007377F	007377F
5-J	Time Delay Contactor	007378F	007378F	007378F	007378F	007378F	007378F	007378F
6-J	Automatic Shut Down Switch (Circuit Breaker)	007380F	007380F	007380F	007380F	007380F	007380F	007380F
7-J	On/Off Switch	007379F	007379F	007379F	007379F	007379F	007379F	007379F
8-J	Momentary Switch	006541F	006541F	006541F	006541F	006541F	006541F	006541F
9-J	Lamp 28V	007381F	007381F	007381F	007381F	007381F	007381F	007381F
10-J	Terminal Block (3 Space)	007382F	007382F	007382F	007382F	007382F	007382F	007382F
	Terminal Block (4 Space)	007383F	007383F	007383F	007383F	007383F	007383F	007383F
	Terminal Block (6 Space)	007384F	007384F	007384F	007384F	007384F	007384F	007384F
	Terminal Block (7 Space)	007385F	007385F	007385F	007385F	007385F	007385F	007385F
	Terminal Block (12 Space)	007386F	007386F	007386F	007386F	007386F	007386F	007386F
	Terminal Block (16 Space)	007387F	007387F	007387F	007387F	007387F	007387F	007387F
11-J	Lamp / Switch Mtg Panel	007885F	007886F	007886F	007887F	007887F	007887F	007888F
JJ	CONTROL BOX (Central Point Wiring)							
1-JJ	Flue/Junction Box	007854F	007855F	007856F	007857F	007877F	007877F	007878F
	CONTROL BOX CPW (Pool)				009073F	009074F	009074F	009075F
2-JJ	Ignition Control	007374F	007374F	007374F	007374F	007374F	007374F	007374F
3-JJ	Printed Circuit Board CPW	007901F	007902F	007903F	007903F	007904F	007904F	007904F
13-JJ	Relay SPDT (K1, K4) (Not Shown)	009687F	009687F	009687F	009687F	009687F	009687F	009687F
	Relay 3PDT (K2) (Not Shown)	010027F	N/A	010027F	N/A	N/A	N/A	N/A
	Relay DPDT (K3) (Not Shown)	009688F	009688F	009688F	009688F	009688F	009688F	009688F
4-JJ	Printed Circuit Board U2	007147F	007147F	007147F	007147F	007147F	007147F	007147F
5-JJ	Printed Circuit Board Status Lights	007896F	007896F	007896F	007896F	007896F	007896F	007896F
6-JJ	Transformer 100 VA	007494F	007494F	007494F	007494F	007494F	007494F	007494F
7-JJ	Time Delay Contactor	008921F	008921F	008921F	008921F	008921F	008921F	008921F
8-JJ	Automatic Shut Down Switch	007380F	007380F	007380F	007380F	007380F	007380F	007380F
9-JJ	On/Off Switch	006872F	006872F	006872F	006872F	006872F	006872F	006872F
10-JJ	Momentary Switch	005641F	005641F	005641F	005641F	005641F	005641F	005641F
11-JJ	Terminal Block (3 Space)	007382F	007382F	007382F	007382F	007382F	007382F	007382F
12-JJ	Switch Mtg Panel	007892F	007893F	007893F	007894F	007894F	007894F	007895F
M	MISCELLANEOUS							
1-M	Flow Switch Paddle	004079F	004079F	004079F	004079F	004079F	004079F	004079F
2-M	PRV 30 PSI	007748F	007748F	007748F	007748F	008088F	008088F	008088F
	PRV 45 PSI	007221F	007751F	007751F	007752F	007752F	007752F	007752F
	PRV 60 PSI	007222F	007753F	007754F	007754F	007754F	007754F	008288F
	PRV 75 PSI	007223F	007756F	007756F	007756F	007757F	007757F	007757F
	PRV 125 PSI	007224F	007224F	007224F	007758F	007759F	007759F	007759F
	PRV 150 PSI	007225F	007225F	007225F	007225F	007225F	007225F	007225F
3-M	Deliming Kit	052870F	052870F	052870F	052870F	052870F	052870F	052870F
4-M	T & P Gauge (H)	007205F	007205F	007205F	007205F	007205F	007205F	007205F
	T & P Gauge (W)	007399F	007399F	007399F	007399F	007399F	007399F	007399F
5-M	Integral Pump 4.7 Impeller	004845F	004845F	004845F	004845F	004845F	004845F	004845F
6-M	RTV Sealant 2.8 oz	008924F	008924F	008924F	008924F	008924F	008924F	008924F
	RTV Sealant 10 oz	005755F	005755F	005755F	005755F	005755F	005755F	005755F
7-M	Window Combustion Chamber	006947F	006947F	006947F	006947F	006947F	006947F	006947F
8-M	Flame Sensor	006535F	006535F	006535F	006535F	006535F	006535F	006535F
9-M	Ignitor	007400F	007400F	007400F	007400F	007400F	007400F	007400F
10-M	Fiberfrax Insulation 1" Wide	008406F	008406F	008406F	008405F	008405F	008405F	008405F
11-M	Sealant Tape (Gray) Specify Length (Not Shown)	800351	800351	800351	800351	800351	800351	800351
12-M	Touch-Up Paint (Green)	750125	750125	750125	750125	750125	750125	750125
	Touch-Up Paint (Dark Gray)	750126	750126	750126	750126	750126	750126	750126
O	OPTIONS							
1-O	Remote Sensor for Low Water Cut-Off	007228F	007228F	007228F	007228F	007228F	007228F	007228F
2-O	Low Water Cut Off PC Board	007157F	007157F	007157F	007157F	007157F	007157F	007157F
R	REFRACTORY							
1-R	Refractory Kit (All Panels)	007760F	007761F	007762F	007763F	007764F	007764F	007765F
2-R	Refractory Front Panel (2 Panels)	007766F	007767F	007768F	007769F	007770F	007770F	007771F

992,1262,1532,1802,2002,2072,2342 (HI DELTA)

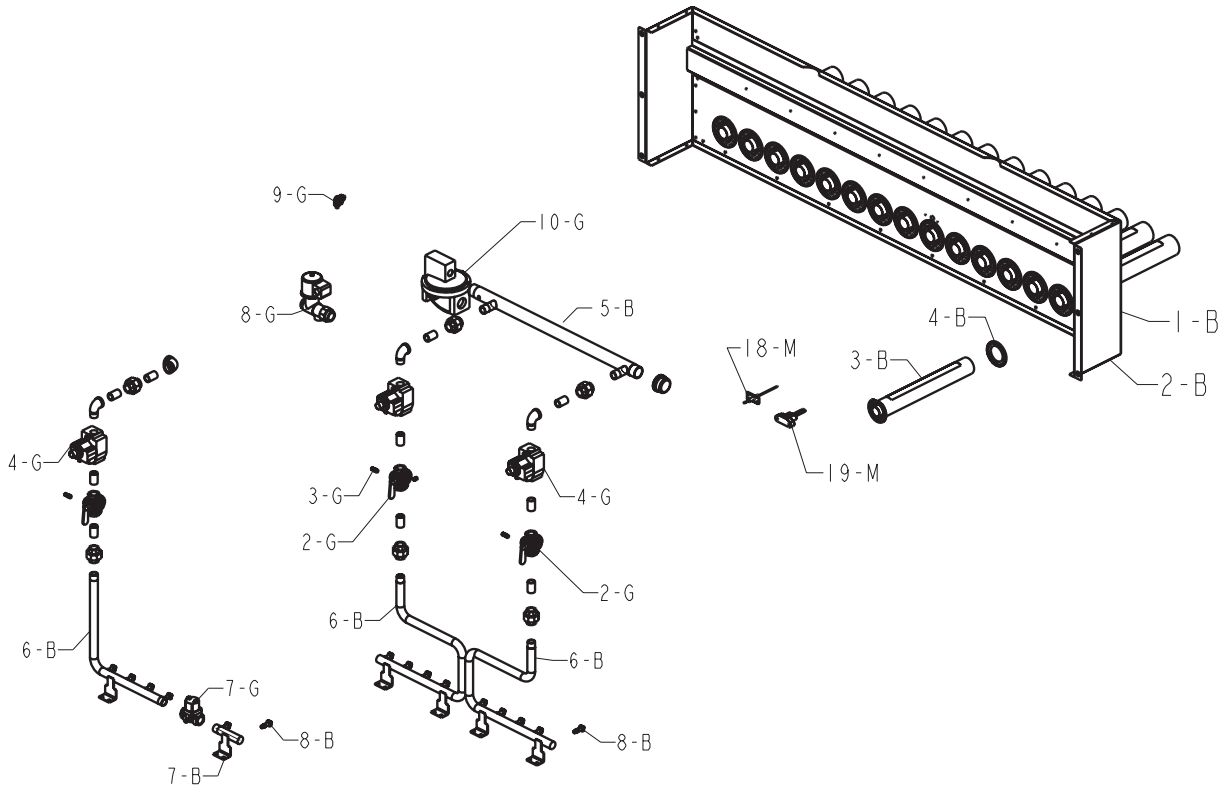
CALL OUT	DESCRIPTION	992	1262	1532	1802	2002	2072	2342
S	SHEETMETAL							
1-S	Jacket Top	007772F	007773F	007774F	007775F	007776F	007776F	007777F
2-S	Jacket Top w/ Air Intake	007778F	007779F	007780F	007781F	007782F	007782F	007783F
3-S	Upfront Control Panel (5 Indicator Lights)	007784F	007785F	007785F	007786F	007786F	007786F	007787F
	Upfront Control Panel (10 Indicator Lights)	007788F	N/A	N/A	N/A	N/A	N/A	N/A
	Upfront Control Panel (11 Indicator Lights)	N/A	007789F	007789F	007868F	N/A	N/A	N/A
	Upfront Control Panel (12 Indicator Lights)	N/A	N/A	N/A	N/A	007790F	007790F	007791F
	Upfront Control Panel w/ Window (5 Indicator Lights)	007792F	007793F	007793F	007794F	007794F	007794F	007795F
	Upfront Control Panel w/ Window (10 Indicator Lights)	007796F	N/A	N/A	N/A	N/A	N/A	N/A
	Upfront Control Panel w/ Window (11 Indicator Lights)	N/A	007797F	007797F	007869F	N/A	N/A	N/A
	Upfront Control Panel w/ Window (12 Indicator Lights)	N/A	N/A	N/A	N/A	007798F	007798F	007799F
4-S	Upper Control Access Jacket Panel	007800F	007801F	007802F	007803F	007804F	007804F	007805F
5-S	Upper Control Access Jacket Panel w/ Air Intake	007806F	007807F	007808F	007809F	007810F	007810F	007811F
6-S	Lower Front Jacket Panel	007812F	007813F	007814F	007815F	007816F	007816F	007817F
7-S	Lower Rear Jacket Panel	007818F	007819F	007820F	007821F	007822F	007822F	007823F
8-S	Upper Side Jacket Panel	007824F	007824F	007824F	007824F	007824F	007824F	007824F
9-S	Rear Exhaust Cover Panel	007835F	007836F	007836F	007837F	007837F	007837F	007838F
10-S	Lower Corner Supports	007825F	007825F	007825F	007825F	007825F	007825F	007825F
11-S	Center Support Panel (Consult Factory)	N/A	N/A	N/A	N/A	N/A	N/A	N/A
12-S	Left & Right Heat Exchanger Support (Consult Factory)	N/A	N/A	N/A	N/A	N/A	N/A	N/A
13-S	Intake Air Distribution Box	007839F	007839F	007839F	007840F	007841F	007841F	007842F
14-S	Blower Intake Box	007843F	007843F	007843F	007843F	007844F	007844F	007844F
15-S	Support Horizontal	007845F	007846F	007847F	007848F	007849F	007849F	007850F
16-S	Support Vertical	007851F	007851F	007851F	007851F	007851F	007851F	007851F
17-S	Gas Access Panel	007853F	007853F	007853F	007853F	007853F	007853F	007853F
18-S	Flue Collector Top	007871F	007872F	007873F	007874F	007875F	007875F	007876F
19-S	Access Panel	007826F	007826F	007826F	007826F	007826F	007826F	007826F
20-S	Access Panel w/Pump	007827F	007827F	007827F	007827F	007827F	007827F	007827F
21-S	Pump Cover	002671F	002671F	002671F	002671F	002671F	002671F	002671F
22-S	J Box Sheetmetal	007830F	007831F	007831F	007832F	007832F	007832F	007833F
23-S	Flue Sleeve	008728F	008729F	008729F	008730F	008730F	008730F	008731F
V	VENTING							
1-V	Stackless Top Kit (Outdoor)	009053	009054	009054	009055	009055	009055	009056
2-V	Intake Filter Box Mounted	007101	007101	007101	007102	007102	007102	007102
3-V	Filter	008403F	008403F	008403F	008404F	008404F	008404F	008404F

CONVERSION KITS								
2 Stage Manifold to Split Manifold								
	Natural	008154F	N/A	N/A	N/A	N/A	N/A	N/A
	Propane	008153F	N/A	N/A	N/A	N/A	N/A	N/A

302A, 402A, 502A, 652A, 752A, 902A (HI DELTA)

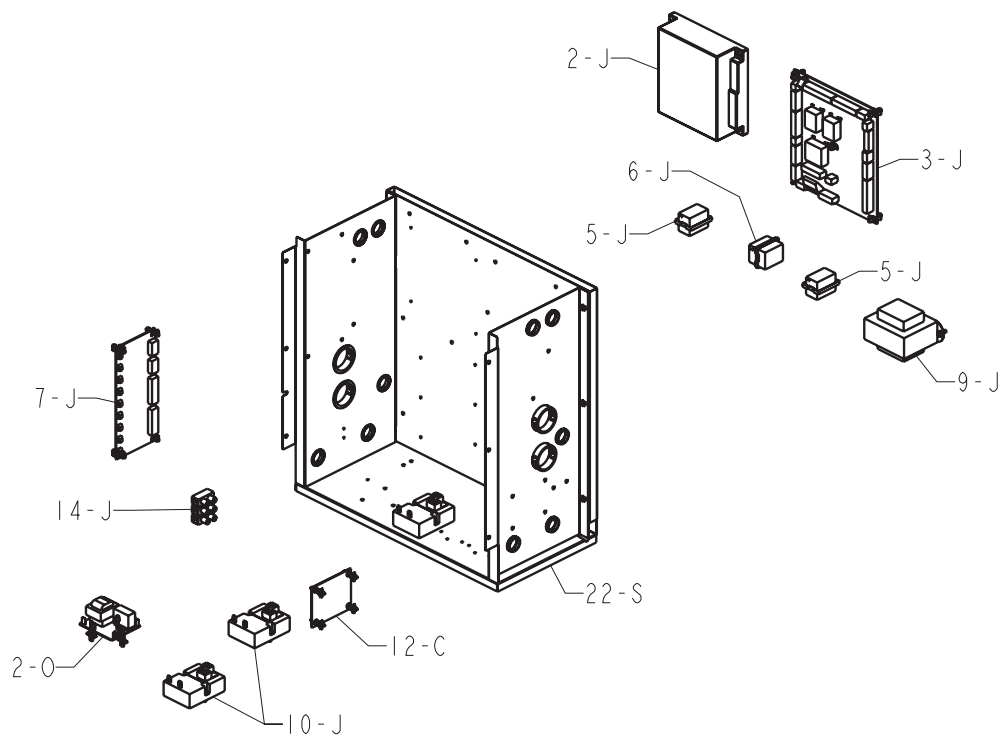


HEAT EXCHANGER DETAIL

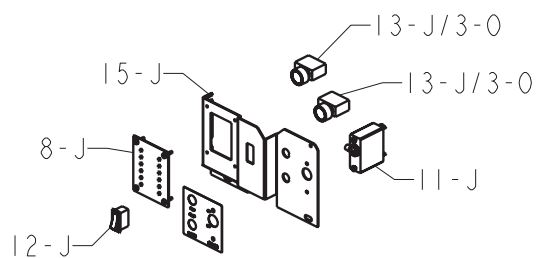


BURNER ASSEMBLY DETAIL

302A, 402A, 502A, 652A, 752A, 902A (HI DELTA)



CONTROL BOX DETAIL



FRONT SWITCH DETAIL

302A, 402A, 502A, 652A, 752A, 902A (HI DELTA)

CALL OUT	DESCRIPTION	302A	402A	502A	652A	752A	902A
B BURNER ASSEMBLY							
1-B	Burner Assy w/Burners	009717F	009718F	009719F	009720F	009721F	009722F
2-B	Burner Mounting Assy	009723F	009724F	009725F	009726F	009727F	009728F
3-B	Burner	007442F	007442F	007442F	007442F	007442F	007442F
4-B	Seal Gasket	007443F	007443F	007443F	007443F	007443F	007443F
5-B	Manifold Upper	N/A	N/A	007444F	007444F	007444F	007445F
6-B	Manifold Lower	007446F	007447F	007448F	007449F	007450F	007451F
7-B	Manifold Lower Split	008920F	008917F	N/A	N/A	N/A	N/A
8-B	Burner Orifice Natural 1.9 mm	351414 / 6	351414 / 8	351414 / 10	351414 / 13	351414 / 15	351414 / 18
	Burner Orifice Propane # 57	351442 / 6	351442 / 8	351442 / 10	351442 / 13	351442 / 15	351442 / 18
C CONTROLS							
1-C	Manual Hi Limit 100-240F	007144F	007144F	007144F	007144F	007144F	007144F
	Manual Hi Limit 100-200F Max	008081F	008081F	008081F	008081F	008081F	008081F
	Manual Hi Limit 40-140F Max Pool	009554F	009554F	009554F	009554F	009554F	009554F
2-C	Adj. Auto Hi Limit 100-240F	007141F	007141F	007141F	007141F	007141F	007141F
	Adj. Auto Hi Limit 40-180F Max	006445F	006445F	006445F	006445F	006445F	006445F
5-C	Remote Aquastat (Tankstat) (B-2)	007148F	007148F	007148F	007148F	007148F	007148F
	Remote Aquastat (Tankstat) 2-Stage (B-3)	007392F	007392F	007392F	007392F	007392F	007392F
	Remote Aquastat (Tankstat) 2-Stage (B-9)	007392F	007392F	007392F	007392F	007392F	007392F
6-C	Controller 2-Stage (B-4)	007393F	007393F	007393F	007393F	007393F	007393F
	Controller 2-Stage (B-6)	007392F	007392F	007392F	007392F	007392F	007392F
	Controller On/Off (B-20)	006445F	006445F	006445F	006445F	006445F	006445F
7-C	Controller On/Off (B-28) Digital Tekmar	009729F	009729F	009729F	009729F	009729F	009729F
	Controller 2-Stage (B-26 / 27) Digital Raypak	009861F	009861F	009861F	009861F	009861F	009861F
	Controller 4-Stage (B-21 / 23) Digital Raypak	009862F	009862F	009862F	009862F	009862F	009862F
15-C	Sensor Outdoor Air Raypak	010786F	010786F	010786F	010786F	010786F	010786F
16-C	Sensor Water Raypak	010787F	010787F	010787F	010787F	010787F	010787F
8-C	Controller RayTemp (B-25)	010252F	010252F	010252F	010252F	010252F	010252F
9-C	Sensor Return Temperature RayTemp	009506F	009506F	009506F	009506F	009506F	009506F
17-C	Sensor Outdoor Air RayTemp	010788F	010788F	010788F	010788F	010788F	010788F
10-C	Temp Controller Pool (not shown)	003346F	003346F	003346F	003346F	003346F	003346F
11-C	Flow Switch	007142F	007142F	007142F	007142F	007142F	007142F
12-C	Economaster II Control	004675F	004675F	004675F	004675F	004675F	004675F
13-C	Switch Air Pressure (Vent)	007158F	007158F	007158F	007158F	007158F	007158F
14-C	Switch Air Pressure Differential (Blower)	008171F	008171F	008171F	008171F	008171F	008171F
F FAN							
1-F	Blower Combustion Air	007413F	007413F	007414F	007414F	007414F	007414F
2-F	Air Shutter	009618F	009618F	009618F	009618F	009618F	009618F
3-F	Intake Flange (TruSeal)	009697F	009697F	009697F	009697F	009697F	009697F
4-F	Hose Duct 6"	007420F	007420F	007420F	007420F	007420F	007420F
5-F	Filter Media 8 x 8	009730F	009730F	009730F	009730F	009730F	009730F
G GAS VALVES							
1-G	Main Valve Gas Manual A 1-1/4" (IRI)	N/A	N/A	007190F	007190F	007190F	007190F
2-G	Valve Gas Manual A 3/4"	007421F	007421F	007421F	007421F	007421F	007421F
3-G	Bleedle Valve 1/4"	007422F	007422F	007422F	007422F	007422F	007422F
	Bleedle Valve 1/8"	007423F	007423F	007423F	007423F	007423F	007423F
4-G	Combination Gas Valve On/Off Nat 3/4"	007424F	007424F	007424F	007424F	007424F	007424F
	Combination Gas Valve On/Off Pro 3/4"	007425F	007425F	007425F	007425F	007425F	007425F
5-G	Switch Low Gas Pressure w/o Bracket (optional)	007187F	007187F	007187F	007187F	007187F	007187F
6-G	Switch High Gas Pressure w/o Bracket (optional)	007188F	007188F	007188F	007188F	007188F	007188F
7-G	Solenoid Gas Valve	008407F	008407F	N/A	N/A	N/A	N/A
8-G	Vent Valve (IRI)	N/A	N/A	600224	600224	600224	600224
9-G	Valve Gas Manual B (IRI)	N/A	N/A	007195F	007195F	007195F	007195F
10-G	Valve On/Off (IRI)	N/A	N/A	004094F	004094F	004094F	004094F

PARTS-COMMERCIAL

302A, 402A, 502A, 652A, 752A, 902A (HI DELTA)

CALL OUT	DESCRIPTION	302A	402A	502A	652A	752A	902A
H	HEAT EXCHANGER						
1-H	Heat Exch Assy Cast Iron	007452F	007453F	007454F	007455F	007456F	007457F
	Heat Exch Assy Brass	007458F	007459F	007460F	007461F	007462F	007463F
	Heat Exch Assy Cast Iron w/Pump Hdr	008852F	008853F	007466F	007467F	007468F	007469F
	Heat Exch Assy Brass w/Pump Hdr	008854F	007471F	007472F	007473F	007474F	007475F
	Heat Exch Assy Cast Iron Cupro Nickel	007476F	007477F	007478F	007479F	007480F	007481F
	Heat Exch Assy Brass Cupro Nickel	007482F	007483F	007484F	007485F	007486F	007487F
	Heat Exch Assy Cast Iron w/Pump Hdr Cupro Nickel	007488F	007489F	007490F	007491F	007492F	007493F
	Heat Exch Assy Brass w/Pump Hdr Cupro Nickel	008855F	007495F	007496F	007497F	007498F	007499F
2-H	Inlet/Outlet Header Cast Iron	007500F	007500F	007500F	007500F	007500F	007500F
	Inlet/Outlet Header Brass	007501F	007501F	007501F	007501F	007501F	007501F
3-H	Return Header Cast Iron	007502F	007502F	007502F	007502F	007502F	007502F
	Return Header Brass	007503F	007503F	007503F	007503F	007503F	007503F
4-H	Return Pump Header Cast Iron	007504F	007504F	007504F	007504F	007504F	007504F
	Return Pump Header Brass	007505F	007505F	007505F	007505F	007505F	007505F
5-H	Tube Bundle	007506F	007507F	007508F	007509F	007510F	007511F
	Tube Bundle Cupro Nickel	007512F	007513F	007514F	007515F	007516F	007517F
6-H	Heat Exchange Tube	007518F	007519F	007520F	007521F	007522F	007523F
	Heat Exchange Tube Cupro Nickel	007524F	007525F	007526F	007527F	007528F	007529F
7-H	Stud Bolt Kit	007536F	007536F	007536F	007536F	007536F	007536F
	Stud Bolt Kit w/Pump Header	007537F	007537F	007537F	007537F	007537F	007537F
8-H	Header Gasket	800001B	800001B	800001B	800001B	800001B	800001B
9-H	Baffle Kit "H"	009804F	009805F	009806F	009807F	009808F	009809F
	Baffle Kit "WH" and "P"	007530F	007531F	007532F	007533F	007534F	007535F
10-H	Sensor Well	007211F	007211F	007211F	007211F	007211F	007211F
11-H	Well Retaining Clip	300203	300203	300203	300203	300203	300203
J	CONTROL BOX						
1-J	Control Box	009731F	009731F	009732F	009732F	009732F	009733F
2-J	Ignition Control	007374F	007374F	007374F	007374F	007374F	007374F
	Ignition Control with Manual Reset	009057F	009057F	009057F	009057F	009057F	009057F
3-J	Printed Circuit Board CPW	009626F	009626F	009626F	009626F	009626F	009626F
5-J	Relay DPDT 24VAC (K1 & K2)	009688F	009688F	009688F	009688F	009688F	009688F
6-J	Relay 3PDT 120VAC (K3)	009689F	009689F	009689F	009689F	009689F	009689F
7-J	Printed Circuit Board U2	007147F	007147F	007147F	007147F	007147F	007147F
8-J	Printed Circuit Board Status Lights	007896F	007896F	007896F	007896F	007896F	007896F
9-J	Transformer 100 VA	007494F	007494F	007494F	007494F	007494F	007494F
10-J	Time Delay Contactor	008921F	008921F	008921F	008921F	008921F	008921F
11-J	Automatic Shut Down Switch	007380F	007380F	007380F	007380F	007380F	007380F
12-J	On/Off Switch	006872F	006872F	006872F	006872F	006872F	006872F
13-J	Momentary Switch	005641F	005641F	005641F	005641F	005641F	005641F
14-J	Terminal Block (3 Space)	007382F	007382F	007382F	007382F	007382F	007382F
15-J	Switch Mtg Panel	009628F	009628F	009628F	009628F	009628F	009628F

302A, 402A, 502A, 652A, 752A, 902A (HI DELTA)

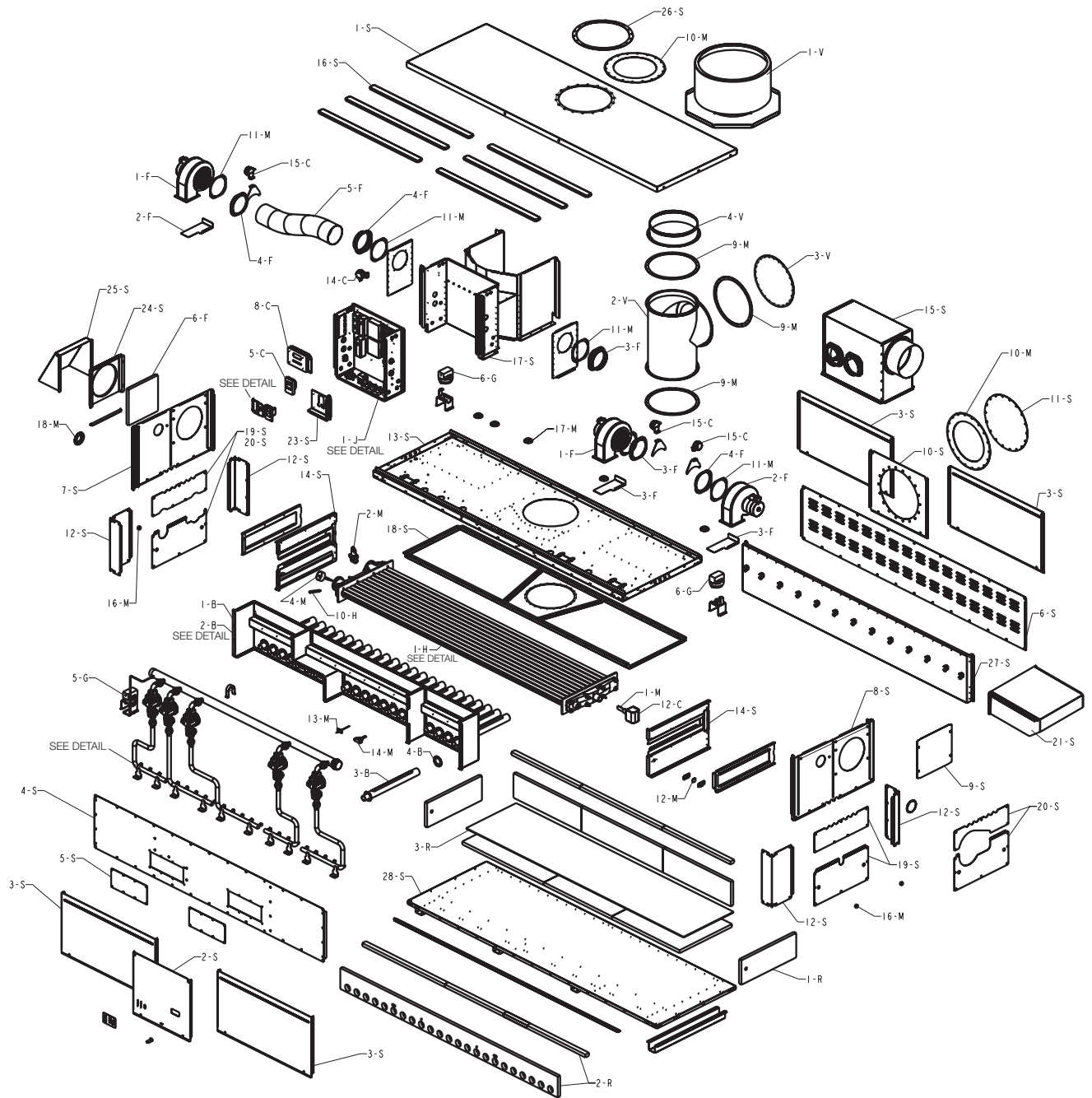
CALL OUT	DESCRIPTION	302A	402A	502A	652A	752A	902A
M	MISCELLANEOUS						
1-M	Flow Switch Paddle	010026F	004079F	004079F	004079F	004079F	004079F
2-M	PRV 30 PSI	007470F	007470F	007217F	007218F	007219F	007748F
	PRV 45 PSI	007220F	007220F	007220F	007346F	007221F	007221F
	PRV 60 PSI	007222F	007222F	007222F	007222F	007222F	007222F
	PRV 75 PSI	007223F	007223F	007223F	007223F	007223F	007223F
	PRV 125 PSI	007224F	007224F	007224F	007224F	007224F	007224F
	PRV 150 PSI	007225F	007225F	007225F	007225F	007225F	007225F
3-M	Deliming Kit	052870F	052870F	052870F	052870F	052870F	052870F
4-M	T & P Gauge (H)	007205F	007205F	007205F	007205F	007205F	007205F
	T & P Gauge (W)	007399F	007399F	007399F	007399F	007399F	007399F
5-M	Integral Pump 4" Impeller	009296F	009296F	009296F	009296F	009296F	009296F
	Integral Pump 4-1/4 Impeller	N/A	N/A	004844F	004844F	004844F	004844F
6-M	Pump Inline CIBF Taco 0012	007746	007746	007746	007746	007746	N/A
	Pump Inline BR Taco 0012	007747	007747	007747	007747	007747	N/A
7-M	Pump Cartridge Taco 0012	951153F	951153F	951153F	951153F	951153F	N/A
8-M	Pump Gasket Taco 0012	008749F	008749F	008749F	008749F	008749F	N/A
9-M	Thermostatic Converter diverting valve Sparco	009076F	009076F	009077F	009077F	009077F	009078F
10-M	Gasket diverting (Pool)	009079F	009079F	009080F	009080F	009080F	009081F
11-M	RTV Sealant 2.8 oz	008924F	008924F	008924F	008924F	008924F	008924F
	RTV Sealant 10 oz	005755F	005755F	005755F	005755F	005755F	005755F
12-M	Sealant Tape (gray) Specify Length	800351	800351	800351	800351	800351	800351
13-M	Fiberfrax Insulation 1" Wide	008405F	008405F	008405F	008405F	008405F	008405F
14-M	Flue Exhaust Tee Seal Gasket	009734F	009735F	009735F	009736F	009736F	009736F
15-M	Flue Exhaust Adapter Seal Gasket	009737F	009738F	009738F	009739F	009739F	009739F
16-M	Intake Air Seal Gaskets (TruSeal)	010028F	010028F	010028F	010028F	010028F	010028F
17-M	Window Combustion Chamber	006947F	006947F	006947F	006947F	006947F	006947F
18-M	Flame Sensor	006535F	006535F	006535F	006535F	006535F	006535F
19-M	Igniter	007400F	007400F	007400F	007400F	007400F	007400F
20-M	Touch-up Paint (Green)	750125	750125	750125	750125	750125	750125
	Touch-up Paint (Dark Gray)	750126	750126	750126	750126	750126	750126
21-M	Sight Window Plug	008474F	008474F	008474F	008474F	008474F	008474F
22-M	Gas Manifold Grommet 3/4" NPT	010778F	010778F	010778F	010778F	010778F	010778F
23-M	Gas Manifold Grommet 1-1/4" NPT	N/A	N/A	010779F	010779F	010779F	010779F
O	OPTIONS						
1-O	Remote Sensor for Low Water Cut-Off	007228F	007228F	007228F	007228F	007228F	007228F
2-O	Low Water Cut Off PC Board	007157F	007157F	007157F	007157F	007157F	007157F
3-O	Momentary Switch	005641F	005641F	005641F	005641F	005641F	005641F
R	REFRACTORY						
1-R	Refractory Kit (All Panels)	007401F	007402F	007403F	007404F	007405F	007406F
2-R	Refractory Front Panel (2 Panels)	007407F	007408F	007409F	007410F	007411F	007412F
3-R	Refractory Blanket	009863F	009864F	009865F	009866F	009867F	009868F

302A, 402A, 502A, 652A, 752A, 902A (HI DELTA)

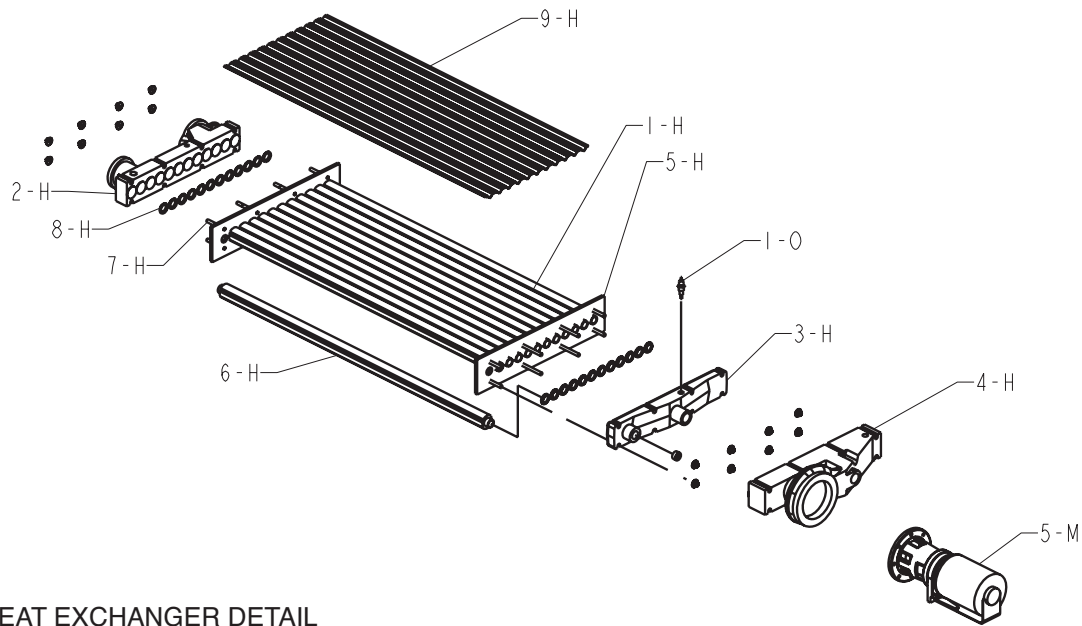
CALL OUT	DESCRIPTION	302A	402A	502A	652A	752A	902A
S	SHEETMETAL						
1-S	Jacket Top	009740F	009741F	009742F	009743F	009744F	009745F
2-S	Upfront Control Panel	009746F	009746F	009746F	009746F	009746F	009746F
	Upfront Control Panel w/ Window	009747F	009747F	009747F	009747F	009747F	009747F
3-S	Upper Control Access Jacket Panel	009748F	009749F	009750F	009751F	009752F	009753F
4-S	Lower Front Jacket Panel	009754F	009755F	009756F	009757F	009758F	009759F
5-S	Access Panel Igniter/Sensor	009694F	009694F	009694F	009694F	009694F	009694F
6-S	Lower Rear Jacket Panel	009760F	009761F	009762F	009763F	009764F	009765F
7-S	Upper Left Side Jacket Panel	009816F	009816F	009766F	009766F	009766F	009766F
8-S	Upper Right Side Jacket Panel	009817F	009817F	009767F	009767F	009767F	009767F
9-S	Air Intake Cover Panel	009768F	009768F	009768F	009768F	009768F	009768F
10-S	Rear Flue Exhaust Cover Panel	009769F	009770F	009770F	009771F	009771F	009771F
11-S	Flue Exhaust Cover Panel	009772F	009773F	009773F	009774F	009774F	009774F
12-S	Lower Corner Supports Front and Rear	009775F	009775F	009775F	009775F	009775F	009775F
13-S	Center Support Panel	010245F	010246F	010247F	010248F	010249F	010250F
14-S	Left & Right Heat Exchanger Support	010251F	010251F	010251F	010251F	010251F	010251F
15-S	Air Intake Adapter Panel TruSeal	009776F	009776F	009776F	009776F	009776F	009776F
16-S	Support Horizontal	009777F	009778F	009779F	009780F	009781F	009782F
17-S	Support Assy Controls and Flue Exhaust	009886F	009886F	009783F	009783F	009783F	009783F
18-S	Flue Collector Top	009784F	009785F	009786F	009787F	009788F	009789F
19-S	Access Panel	009790F	009790F	009790F	009790F	009790F	009790F
20-S	Access Panel w/Pump	009791F	009791F	009791F	009791F	009791F	009791F
21-S	Pump Cover	002671F	002671F	002671F	002671F	002671F	002671F
22-S	Control Box Sheetmetal	009792F	009792F	009792F	009792F	009792F	009792F
23-S	Controller Mounting Panel	009698F	009698F	009698F	009698F	009698F	009698F
24-S	Filter Mounting Panel	009793F	009793F	009793F	009793F	009793F	009793F
25-S	Intake Air Vent Hood	010746F	010746F	010746F	010746F	010746F	010746F
26-S	Blower Plenum	009887F	009887F	N/A	N/A	N/A	N/A
27-S	Flue Exhaust Gasket Retainer	010029F	010030F	010030F	010031F	010031F	010031F
28-S	Combustion Chamber Rear Panel	010766F	010767F	010768F	010769F	010770F	010771F
29-S	Base Assy	010754F	010755F	010756F	010757F	010758F	010759F
V	VENTING						
1-V	Outdoor Stack	010793	010794	010794	010795	010795	010795
2-V	Flue Exhaust Tee	009795F	009796F	009796F	009797F	009797F	009797F
3-V	Flue Exhaust Tee Cap	009798F	009799F	009799F	009800F	009800F	009800F
4-V	Flue Exhaust Adapter	009801F	009802F	009802F	009803F	009803F	009803F

922A, 1262A, 1532A, 1802A, 2002A, 2072A, 2342A (HI DELTA)

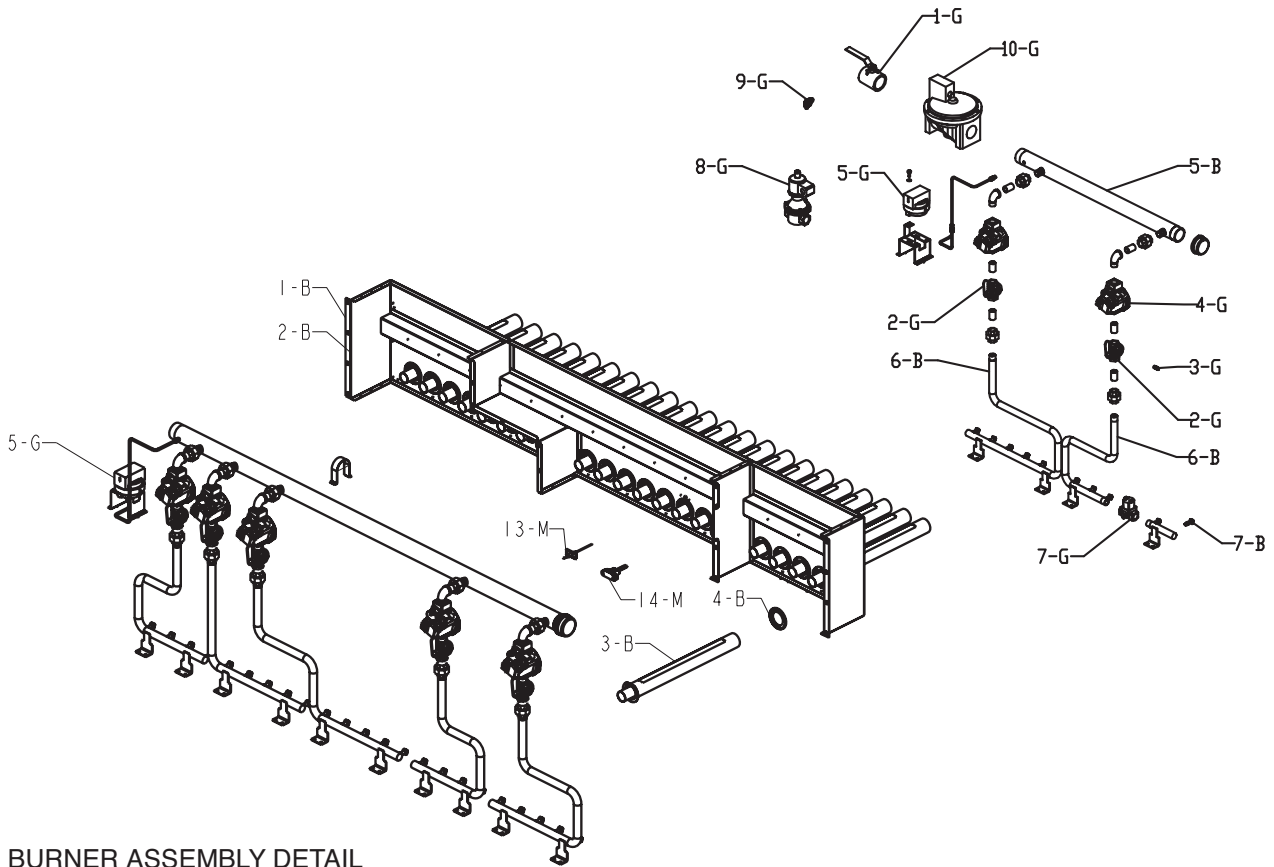
DATE OF MANUFACTURE: 03-01-05 THRU 12-31-06



PARTS-COMMERCIAL

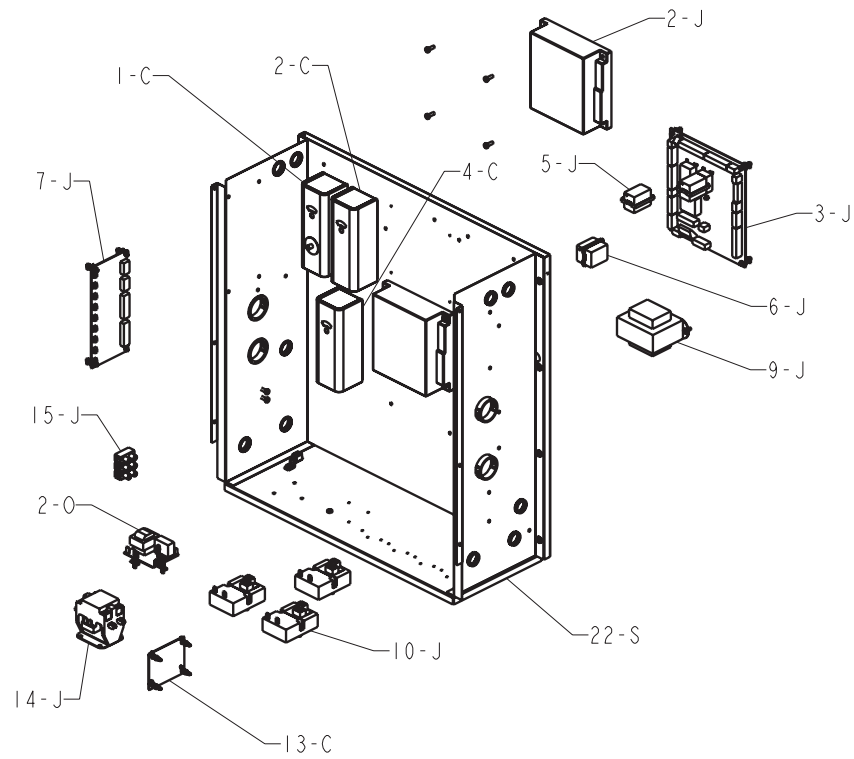


HEAT EXCHANGER DETAIL

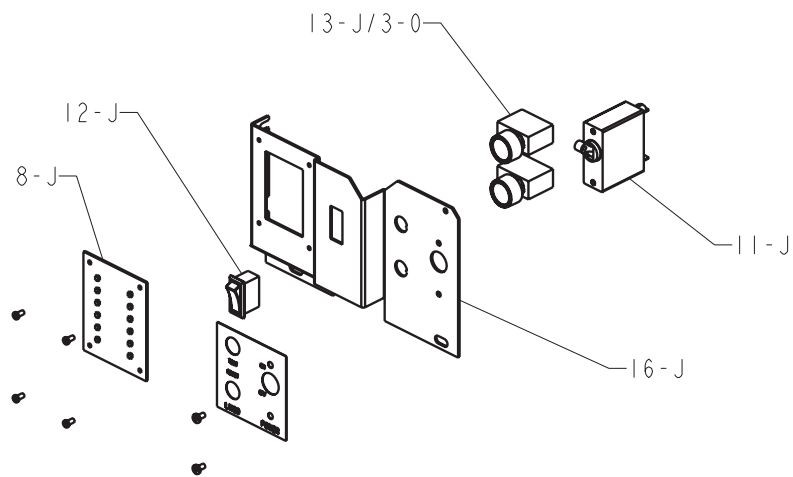


BURNER ASSEMBLY DETAIL

PARTS-COMMERCIAL



CONTROL BOX DETAIL



FRONT SWITCH DETAIL

922A, 1262A, 1532A, 1802A, 2002A, 2072A, 2342A (HI DELTA)

CALL OUT	DESCRIPTION	992A	1262A	1532A	1802A	2002A	2072A	2342A
B BURNER ASSEMBLY								
1-B	Burner Assy w/Burners	009598F	009599F	009600F	009601F	009602F	009602F	009603F
2-B	Burner Mounting Assy	009604F	009605F	009606F	009607F	009608F	009608F	009609F
3-B	Burner	007617F	007617F	007617F	007617F	007617F	007617F	007617F
4-B	Seal Gasket	007443F	007443F	007443F	007443F	007443F	007443F	007443F
5-B	Manifold Upper	009610F	009611F	009612F	009613F	009614F	009614F	009615F
6-B	Manifold Lower	009616F	009617F	008972F	008973F	008974F	008974F	008975F
7-B	Burner Orifice Nat.# 33	351444 / 11	351444 / 14	351444 / 17	351444 / 20	N/A	351444 / 23	351444 / 26
	Burner Orifice Nat.# 35	N/A	N/A	N/A	N/A	351618 / 23	N/A	N/A
	Burner Orifice Pro.# 52	351445 / 11	351445 / 14	351445 / 17	351445 / 20	N/A	351445 / 23	351445 / 26
C CONTROLS								
1-C	Manual Hi Limit 100-240F	007144F	007144F	007144F	007144F	N/A	007144F	007144F
	Manual Hi Limit 100-200F Max	008081F	008081F	008081F	008081F	008081F	008081F	008081F
	Manual Hi Limit 40-140F Max Pool	009554F	009554F	009554F	009554F	009554F	009554F	009554F
2-C	Adj. Auto Hi Limit 100-240F	007141F	007141F	007141F	007141F	007141F	007141F	007141F
	Adj. Auto Hi Limit 40-180F Max	006445F	006445F	006445F	006445F	006445F	006445F	006445F
3-C	Remote Aquastat (Tankstat) (B-2)	007148F	007148F	007148F	007148F	007148F	007148F	007148F
	Remote Aquastat (Tankstat) 2-Stage (B-3)	007392F	007392F	007392F	007392F	007392F	007392F	007392F
	Remote Aquastat (Tankstat) 2-Stage (B-9)	007392F	007392F	007392F	007392F	007392F	007392F	007392F
4-C	Controller 2-Stage (B-4)	007393F	007393F	007393F	007393F	007393F	007393F	007393F
	Controller 2-Stage (B-6)	007392F	007392F	007392F	007392F	007392F	007392F	007392F
	Controller On/Off (B-20)	006445F	006445F	006445F	006445F	006445F	006445F	006445F
5-C	Controller On/Off (B-28) Digital Tekmar	009729F	009729F	009729F	009729F	009729F	009729F	009729F
	Controller 2-Stage (B-26 / 27) Digital Raypak	009861F	009861F	009861F	009861F	009861F	009861F	009861F
	Controller 4-Stage (B-21 / 23) Digital Raypak	009862F	009862F	009862F	009862F	009862F	009862F	009862F
6-C	Sensor Outdoor Air Raypak	010786F	010786F	010786F	010786F	010786F	010786F	010786F
7-C	Sensor Water Raypak	010787F	010787F	010787F	010787F	010787F	010787F	010787F
8-C	Controller RayTemp (B-25)	010252F	010252F	010252F	010252F	010252F	010252F	010252F
9-C	Sensor Return Temperature RayTemp	009506F	009506F	009506F	009506F	009506F	009506F	009506F
10-C	Sensor Outdoor Air RayTemp	010788F	010788F	010788F	010788F	010788F	010788F	010788F
11-C	Temp Controller Pool (not shown)	003346F	003346F	003346F	003346F	003346F	003346F	003346F
12-C	Flow Switch	007142F	007142F	007142F	007142F	007142F	007142F	007142F
13-C	Economaster II Control	004675F	004675F	004675F	004675F	004675F	004675F	004675F
14-C	Switch Air Pressure (Vent)	007158F	007158F	007158F	007158F	007158F	007158F	007158F
15-C	Switch Air Pressure Differential (Blower)	008171F	008171F	008171F	008171F	008171F	008171F	008171F
F FAN								
1-F	Blower Combustion Air (Left Hand)	007413F	007413F	007413F	007413F	007413F	007413F	007413F
	Blower Combustion Air (Right Hand)	007414F	007414F	007414F	007414F	007414F	007414F	007414F
2-F	Air Shutter	009618F	009618F	009618F	009618F	009618F	009618F	009618F
3-F	Intake Blower Flange (Truseal)	009697F	009697F	009697F	009697F	009697F	009697F	009697F
4-F	Hose Duct 6" (Truseal)	007420F	007420F	007420F	007420F	007420F	007420F	007420F
5-F	Filter Media	008402F	008402F	008402F	008402F	008402F	008402F	008402F
G GAS VALVES								
1-G	Main Valve Gas Manual A 2" (IRI)	007665F	007665F	007665F	007665F	007665F	007665F	007665F
2-G	Valve Gas Manual A 3/4"	007421F	007421F	007421F	007421F	007421F	007421F	007421F
3-G	Bleedle Valve 1/4"	007422F	007422F	007422F	007422F	007422F	007422F	007422F
	Bleedle Valve 1/8"	007423F	007423F	007423F	007423F	007423F	007423F	007423F
4-G	Combination Gas Valve Nat 3/4"	007666F	007666F	007666F	007666F	007666F	007666F	007666F
	Combination Gas Valve Pro 3/4"	007667F	007667F	007667F	007667F	007667F	007667F	007667F
5-G	Switch Low Gas Pressure w/o Bracket	007187F	007187F	007187F	007187F	007187F	007187F	007187F
6-G	Switch High Gas Pressure w/o Bracket (optional)	007188F	007188F	007188F	007188F	007188F	007188F	007188F
7-G	Solenoid Gas Valve	008407F	008407F	N/A	N/A	N/A	N/A	N/A
8-G	Vent Valve (IRI)	600547	600547	600547	600547	600547	600547	600547
9-G	Valve Gas Manual B (IRI)	007195F	007195F	007195F	007195F	007195F	007195F	007195F
10-G	Valve On/Off (IRI)	004096F	004096F	004096F	004096F	004096F	004096F	004096F

922A, 1262A, 1532A, 1802A, 2002A, 2072A, 2342A (HI DELTA)

CALL OUT	DESCRIPTION	992A	1262A	1532A	1802A	2002A	2072A	2342A
H HEAT EXCHANGER								
1-H	Heat Exch Assy Cast Iron	007668F	007669F	007670F	007671F	007672F	007672F	007673F
	Heat Exch Assy Brass	007674F	007675F	007676F	007677F	007678F	007678F	007679F
	Heat Exch Assy Cast Iron w/Pump Hdr	007680F	007681F	007682F	007683F	N/A	N/A	N/A
	Heat Exch Assy Brass w/Pump Hdr	007686F	007687F	007688F	007689F	N/A	N/A	N/A
	Heat Exch Assy Cast Iron Cupro Nickel	007692F	007693F	007694F	007695F	007696F	007696F	007697F
	Heat Exch Assy Brass Cupro Nickel	007698F	007699F	007700F	007701F	007702F	007702F	007703F
	Heat Exch Assy Cast Iron w/Pump Hdr Cupro Nickel	007704F	007705F	007706F	007707F	N/A	N/A	N/A
	Heat Exch Assy Brass w/Pump Hdr Cupro Nickel	007710F	007711F	007712F	007713F	N/A	N/A	N/A
2-H	Inlet/Outlet Header Cast Iron	007716F	007716F	007716F	007716F	007716F	007716F	007716F
	Inlet/Outlet Header Brass	007717F	007717F	007717F	007717F	007717F	007717F	007717F
3-H	Return Header Cast Iron	007718F	007718F	007718F	007718F	007718F	007718F	007718F
	Return Header Brass	007719F	007719F	007719F	007719F	007719F	007719F	007719F
4-H	Return Pump Header Cast Iron	007720F	007720F	007720F	007720F	N/A	N/A	N/A
	Return Pump Header Brass	007721F	007721F	007721F	007721F	N/A	N/A	N/A
5-H	Tube Bundle	007722F	007723F	007724F	007725F	007726F	007726F	007727F
	Tube Bundle Cupro Nickel	007728F	007729F	007730F	007731F	007732F	007732F	007733F
6-H	Heat Exchange Tube	007734F	007735F	007736F	007737F	007738F	007738F	007739F
	Heat Exchange Tube Cupro Nickel	007740F	007741F	007742F	007743F	007744F	007744F	007745F
7-H	Stud Bolt Kit	007828F	007828F	007828F	007828F	007828F	007828F	007828F
	Stud Bolt Kit w/Pump Header	007829F	007829F	007829F	007829F	007829F	007829F	007829F
8-H	Header Gasket	007834F	007834F	007834F	007834F	007834F	007834F	007834F
9-H	Baffle Kit "H"	009810F	009811F	009812F	009813F	009814F	009814F	009815F
	Baffle Kit "WH" and "P"	007858F	007859F	007860F	007861F	007862F	007862F	007863F
10-H	Sensor Well	007211F	007211F	007211F	007211F	007211F	007211F	007211F
11-H	Well Retaining Clip	300203	300203	300203	300203	300203	300203	300203
J CONTROL BOX								
1-J	Control Box	009620F	009621F	009622F	009622F	009623F	009623F	009623F
	Control Box (Pool)	N/A	N/A	N/A	N/A	009625F	009625F	009625F
2-J	Ignition Control	007374F	007374F	007374F	007374F	007374F	007374F	007374F
	Ignition Control with Manual Reset	009057F	009057F	009057F	009057F	009057F	009057F	009057F
3-J	Printed Circuit Board CPW	009626F	009626F	009627F	009627F	009627F	009627F	009627F
5-J	Relay DPDT 24VAC (K1, K2, K3 & K5)	009688F	009688F	009688F	009688F	009688F	009688F	009688F
6-J	Relay 3PDT 120VAC (K4)	009689F	009689F	009689F	009689F	009689F	009689F	009689F
7-J	Printed Circuit Board U2	007147F	007147F	007147F	007147F	007147F	007147F	007147F
8-J	Printed Circuit Board Status Lights	007896F	007896F	007896F	007896F	007896F	007896F	007896F
9-J	Transformer 100 VA	007494F	007494F	007494F	007494F	007494F	007494F	007494F
10-J	Time Delay Contactor	008921F	008921F	008921F	008921F	008921F	008921F	008921F
11-J	Automatic Shut Down Switch	007380F	007380F	007380F	007380F	007380F	007380F	007380F
12-J	On/Off Switch	006872F	006872F	006872F	006872F	006872F	006872F	006872F
13-J	Momentary Switch	005641F	005641F	005641F	005641F	005641F	005641F	005641F
14-J	Contactor DPST 24vac 50A	N/A	N/A	009860F	009860F	009860F	009860F	009860F
15-J	Terminal Block (3 Space)	007382F	007382F	007382F	007382F	007382F	007382F	007382F
16-J	Switch Mtg Panel	009628F	009628F	009628F	009628F	009628F	009628F	009628F
M MISCELLANEOUS								
1-M	Flow Switch Paddle	010026F	010026F	010026F	010026F	010026F	010026F	010026F
2-M	PRV 30 PSI	007748F	007748F	007748F	007748F	008088F	008088F	008088F
	PRV 45 PSI	007221F	007751F	007751F	007752F	007752F	007752F	007752F
	PRV 60 PSI	007222F	007753F	007754F	007754F	007754F	007754F	008288F
	PRV 75 PSI	007223F	007756F	007756F	007756F	007757F	007757F	007757F
	PRV 125 PSI	007224F	007224F	007224F	007758F	007759F	007759F	007759F
	PRV 150 PSI	007225F	007225F	007225F	007225F	007225F	007225F	007225F
3-M	Deliming Kit	052870F	052870F	052870F	052870F	052870F	052870F	052870F
4-M	T & P Gauge (H)	007205F	007205F	007205F	007205F	007205F	007205F	007205F
	T & P Gauge (WH)	007399F	007399F	007399F	007399F	007399F	007399F	007399F
5-M	Integral Pump 4" Impeller	009296F	009296F	N/A	N/A	N/A	N/A	N/A
	Integral Pump 4.7 Impeller	004845F	004845F	004845F	004845F	N/A	N/A	N/A
6-M	RTV Sealant 2.8 oz	008924F	008924F	008924F	008924F	008924F	008924F	008924F
	RTV Sealant 10 oz	005755F	005755F	005755F	005755F	005755F	005755F	005755F
7-M	Sealant Tape (gray) Specify Length	800351	800351	800351	800351	800351	800351	800351
8-M	Fiberfrax Insulation 1" Wide	008406F	008406F	008406F	008405F	008405F	008405F	008405F
9-M	Flue Exhaust Tee Seal Gasket	009690F	009691F	009691F	009692F	009692F	009692F	009693F
10-M	Flue Exhaust Adapter Seal Gasket	009635F	009636F	009636F	009637F	009637F	009637F	009638F
11-M	Intake Air Seal Gaskets (Truseal)	010028F	010028F	010028F	010028F	010028F	010028F	010028F
12-M	Window Combustion Chamber	006947F	006947F	006947F	006947F	006947F	006947F	006947F
13-M	Flame Sensor	006535F	006535F	006535F	006535F	006535F	006535F	006535F
14-M	Igniter	007400F	007400F	007400F	007400F	007400F	007400F	007400F
15-M	Touch-up Paint (Green)	750125	750125	750125	750125	750125	750125	750125
	Touch-up Paint (Dark Gray)	750126	750126	750126	750126	750126	750126	750126
16-M	Sight Window Plug	008474F	008474F	008474F	008474F	008474F	008474F	008474F
17-M	Gas Manifold Grommet 3/4" NPT	010778F	010778F	010778F	010778F	010778F	010778F	010778F
18-M	Gas Manifold Grommet 2" NPT	010780F	010780F	010780F	010780F	010780F	010780F	010780F

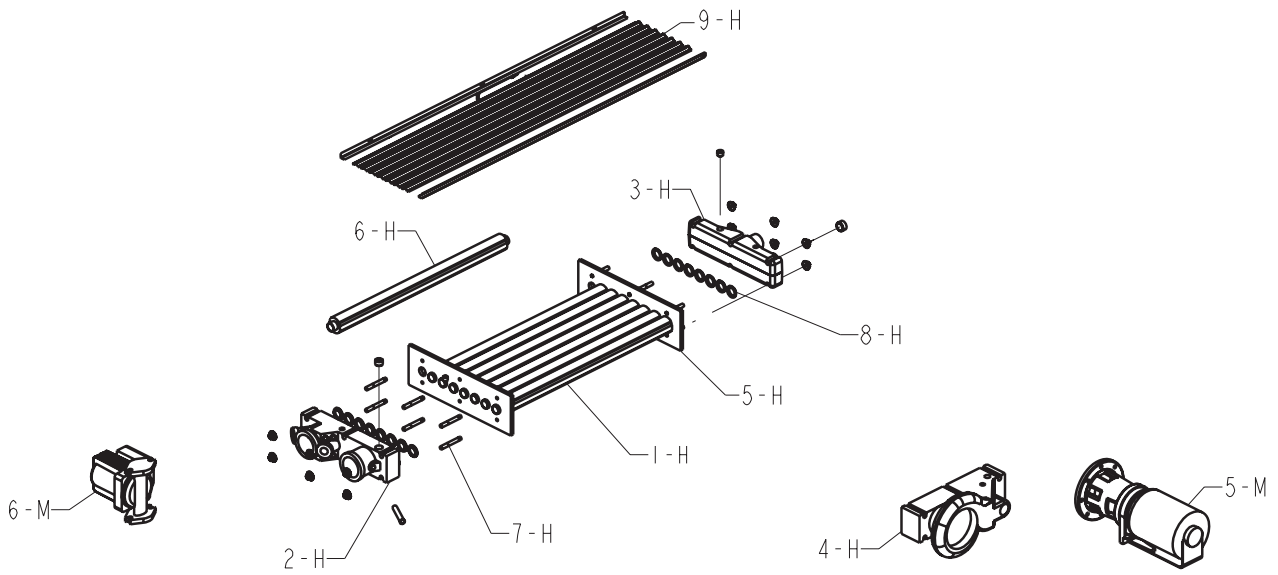
PARTS-COMMERCIAL

922A, 1262A, 1532A, 1802A, 2002A, 2072A, 2342A (HI DELTA)

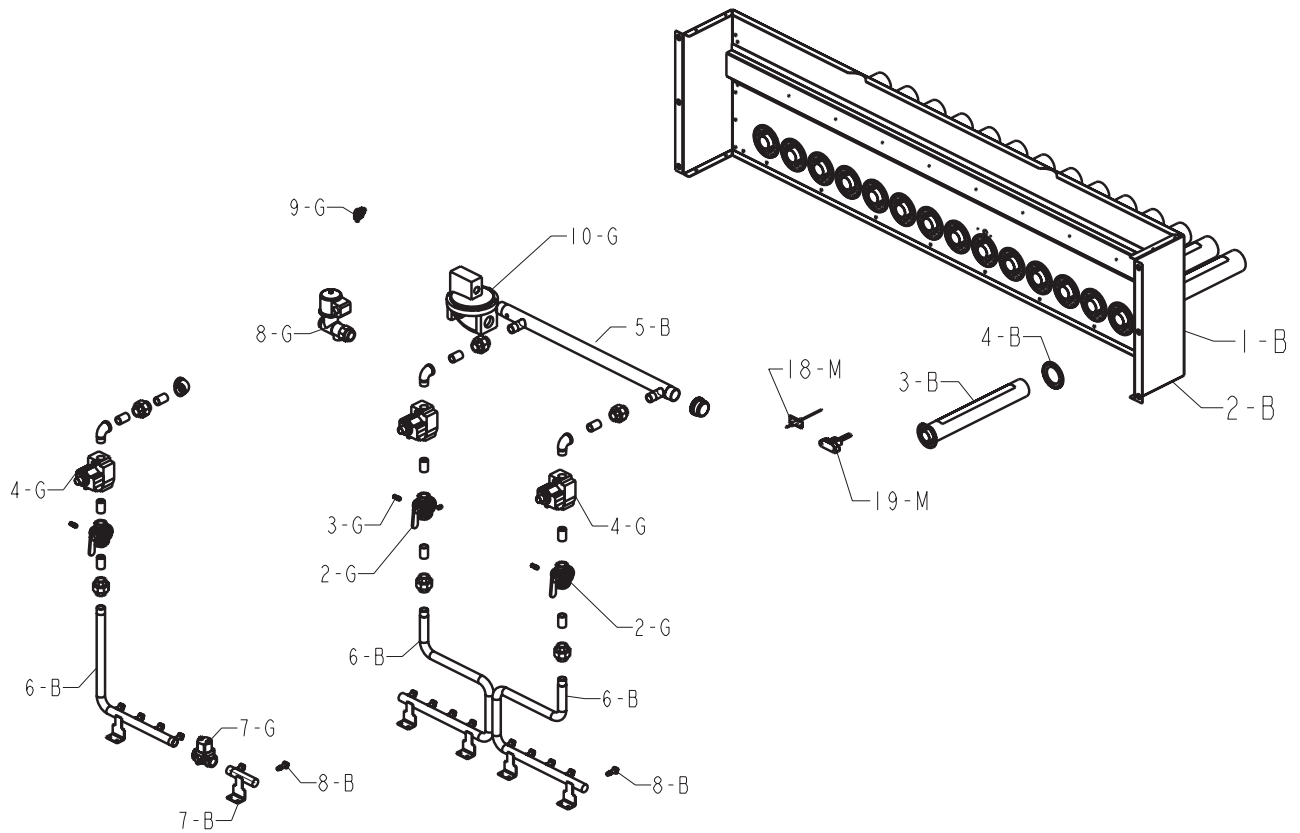
CALL OUT	DESCRIPTION	992A	1262A	1532A	1802A	2002A	2072A	2342A
O OPTIONS								
1-O	Remote Sensor for Low Water Cut-Off	007228F	007228F	007228F	007228F	007228F	007228F	007228F
2-O	Low Water Cut Off PC Board	007157F	007157F	007157F	007157F	007157F	007157F	007157F
3-O	Momentary Switch	005641F	005641F	005641F	005641F	005641F	005641F	005641F
R REFRACTORY								
1-R	Refractory Kit (All Panels)	007760F	007761F	007762F	007763F	007764F	007764F	007765F
2-R	Refractory Front Panels	007766F	007767F	007768F	007769F	007770F	007770F	007771F
3-R	Refractory Blanket	009869F	009870F	009871F	009872F	009873F	009873F	009874F
S SHEETMETAL								
1-S	Jacket Top	009629F	009630F	009631F	009632F	009633F	009633F	009634F
2-S	Upfront Control Panel (10 Indicator Lights)	009639F	N/A	N/A	N/A	N/A	N/A	N/A
	Upfront Control Panel (11 Indicator Lights)	N/A	009640F	009640F	009640F	N/A	N/A	N/A
	Upfront Control Panel (12 Indicator Lights)	N/A	N/A	N/A	N/A	009641F	009641F	009641F
	Upfront Control Panel w/ Window (10 Indicator Lights)	009642F	N/A	N/A	N/A	N/A	N/A	N/A
	Upfront Control Panel w/ Window (11 Indicator Lights)	N/A	009643F	009643F	009643F	N/A	N/A	N/A
	Upfront Control Panel w/ Window (12 Indicator Lights)	N/A	N/A	N/A	N/A	009644F	009644F	009644F
3-S	Upper Control Access Jacket Panel	009645F	009646F	009647F	009648F	009649F	009649F	009650F
4-S	Lower Front Jacket Panel	009651F	009652F	009653F	009654F	009655F	009655F	009656F
5-S	Access Panel Igniter/Sensor	009694F	009694F	009694F	009694F	009694F	009694F	009694F
6-S	Lower Rear Jacket Panel	009657F	009658F	009659F	009660F	009661F	009661F	009662F
7-S	Upper Left Side Jacket Panel	009663F	009663F	009663F	009663F	009663F	009663F	009663F
8-S	Upper Right Side Jacket Panel	009695F	009695F	009695F	009695F	009695F	009695F	009695F
9-S	Air Intake Cover Panel	009696F	009696F	009696F	009696F	009696F	009696F	009696F
10-S	Rear Flue Exhaust Cover Panel	009664F	009665F	009665F	009666F	009666F	009666F	009667F
11-S	Flue Exhaust Cover Panel	009713F	009714F	009714F	009715F	009715F	009715F	009716F
12-S	Lower Corner Supports Front and Rear	009668F	009668F	009668F	009668F	009668F	009668F	009668F
13-S	Center Support Panel	010237F	010238F	010239F	010240F	010241F	010241F	010243F
14-S	Left & Right Heat Exchanger Support	010244F	010244F	010244F	010244F	010244F	010244F	010244F
15-S	Intake Air Distribution Box (Truseal)	009669F	009669F	010789F	010789F	009670F	009670F	009670F
16-S	Support Horizontal	009671F	009672F	009673F	009674F	009675F	009675F	009676F
17-S	Support Assy Controls and Flue Exhaust	009677F	009677F	009677F	009677F	009677F	009677F	009677F
18-S	Flue Collector Top	009678F	009679F	009680F	009681F	009682F	009682F	009683F
19-S	Access Panel	009684F	009684F	009684F	009684F	009684F	009684F	009684F
20-S	Access Panel w/Pump	009685F	009685F	009685F	009685F	009685F	009685F	009685F
21-S	Pump Cover	002671F	002671F	002671F	002671F	002671F	002671F	002671F
22-S	Control Box Sheetmetal	009686F	009686F	009686F	009686F	009686F	009686F	009686F
23-S	Controller Mounting Panel	009698F	009698F	009698F	009698F	009698F	009698F	009698F
24-S	Filter Mounting Panel	009699F	009699F	009699F	009699F	009699F	009699F	009699F
25-S	Intake Air Vent Hood	010747F	010747F	010747F	010747F	010747F	010747F	010747F
26-S	Flue Exhaust Gasket Retainer	010032F	010033F	010033F	010034F	010034F	010034F	010035F
27-S	Combustion Chamber Rear Panel	010772F	010773F	010774F	010775F	010776F	010776F	010777F
28-S	Base Assy	010760F	010761F	010762F	010763F	010764F	010764F	010765F
V VENTING								
1-V	Outdoor Stack	010796	010797	010797	010798	010798	010798	010799
2-V	Flue Exhaust Tee	009701F	009702F	009702F	009703F	009703F	009703F	009704F
3-V	Flue Exhaust Tee Cap	009705F	009706F	009706F	009707F	009707F	009707F	009708F
4-V	Flue Exhaust Adapter	009709F	009710F	009710F	009711F	009711F	009711F	009712F

PARTS-COMMERCIAL

302B, 402B, 502B, 652B, 752B, 902B (HI DELTA)



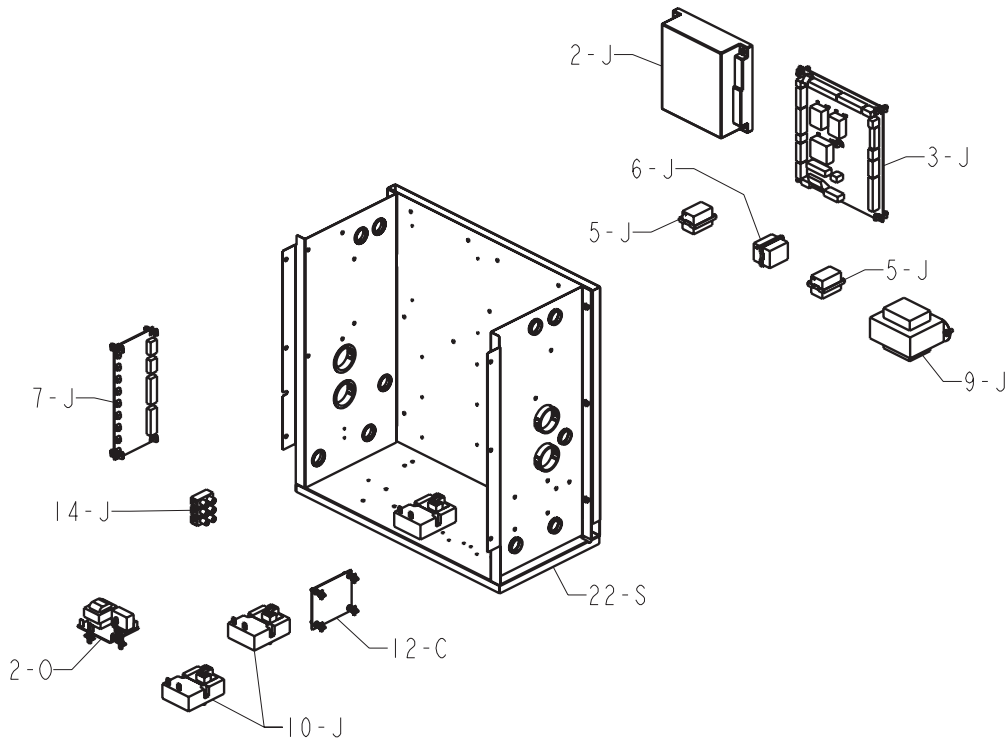
HEAT EXCHANGER DETAIL



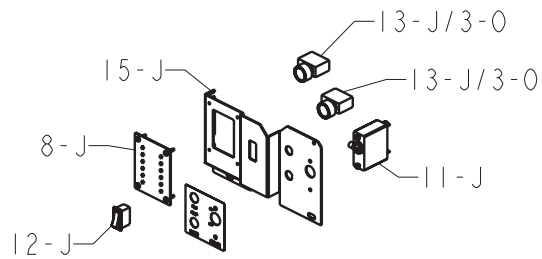
BURNER ASSEMBLY DETAIL

PARTS-COMMERCIAL

302B, 402B, 502B, 652B, 752B, 902B (HI DELTA)



CONTROL BOX DETAIL



FRONT SWITCH DETAIL

302B, 402B, 502B, 652B, 752B, 902B (HI DELTA)

CALL OUT	DESCRIPTION	302B	402B	502B	652B	752B	902B
B BURNER ASSEMBLY							
1-B	Burner Assy w/Burners	009717F	009718F	009719F	009720F	009721F	009722F
2-B	Burner Mounting Assy	009723F	009724F	009725F	009726F	009727F	009728F
3-B	Burner	007442F	007442F	007442F	007442F	007442F	007442F
4-B	Seal Gasket	007443F	007443F	007443F	007443F	007443F	007443F
5-B	Manifold Upper	N/A	N/A	007444F	007444F	007444F	007445F
6-B	Manifold Lower	007446F	007447F	007448F	007449F	007450F	007451F
7-B	Manifold Lower Split	008920F	008917F	N/A	N/A	N/A	N/A
8-B	Burner Orifice Natural 1.9 mm	351414 / 6	351414 / 8	351414 / 10	351414 / 13	351414 / 15	351414 / 18
	Burner Orifice Natural #44 (Low Gas Press.)	351640/6	351640/8	351640/10	351640/13	351640/15	351640/18
	Burner Orifice Propane # 57	351442 / 6	351442 / 8	351442 / 10	351442 / 13	351442 / 15	351442 / 18
C CONTROLS							
1-C	Manual Hi Limit 100-240F	007144F	007144F	007144F	007144F	007144F	007144F
	Manual Hi Limit 100-200F Max	008081F	008081F	008081F	008081F	008081F	008081F
	Manual Hi Limit 40-180F Max Pool	009554F	009554F	009554F	009554F	009554F	009554F
2-C	Adj. Auto Hi Limit 100-240F	007141F	007141F	007141F	007141F	007141F	007141F
	Adj. Auto Hi Limit 40-180F Max	006445F	006445F	006445F	006445F	006445F	006445F
5-C	Remote Aquastat (Tankstat) (B-2)	007148F	007148F	007148F	007148F	007148F	007148F
	Remote Aquastat (Tankstat) 2-Stage (B-3)	007392F	007392F	007392F	007392F	007392F	007392F
	Remote Aquastat (Tankstat) 2-Stage (B-9)	007392F	007392F	007392F	007392F	007392F	007392F
6-C	Controller 2-Stage (B-4)	007393F	007393F	007393F	007393F	007393F	007393F
	Controller 2-Stage (B-6)	007392F	007392F	007392F	007392F	007392F	007392F
	Controller On/Off (B-20)	006445F	006445F	006445F	006445F	006445F	006445F
7-C	Controller On/Off (B-28) Digital Tekmar	009729F	009729F	009729F	009729F	009729F	009729F
	Controller 2-Stage (B-26 / 27) Digital Raypak	009861F	009861F	009861F	009861F	009861F	009861F
	Controller 4-Stage (B-21 / 23) Digital Raypak	009862F	009862F	009862F	009862F	009862F	009862F
15-C	Sensor Outdoor Air Raypak	010786F	010786F	010786F	010786F	010786F	010786F
16-C	Sensor Water Raypak	010787F	010787F	010787F	010787F	010787F	010787F
8-C	Controller RayTemp (B-25)	010252F	010252F	010252F	010252F	010252F	010252F
9-C	Sensor Return Temperature RayTemp	009506F	009506F	009506F	009506F	009506F	009506F
17-C	Sensor Outdoor Air RayTemp	010788F	010788F	010788F	010788F	010788F	010788F
10-C	Temp Controller Pool (not shown)	003346F	003346F	003346F	003346F	003346F	003346F
11-C	Flow Switch	007142F	007142F	007142F	007142F	007142F	007142F
12-C	Economaster II Control	004675F	004675F	004675F	004675F	004675F	004675F
13-C	Switch Air Pressure (Vent)	007158F	007158F	007158F	007158F	007158F	007158F
14-C	Switch Air Pressure Differential (Blower)	008171F	008171F	008171F	008171F	008171F	008171F
16-C	Relay 24 VAC (Auto Reset Hi Limit 100-240F)	009039F	009039F	009039F	009039F	009039F	009039F
F FAN							
1-F	Blower Combustion Air	007413F	007413F	007414F	007414F	007414F	007414F
2-F	Air Shutter	009618F	009618F	009618F	009618F	009618F	009618F
3-F	Intake Flange (TruSeal)	009697F	009697F	011746F	009697F	009697F	009697F
4-F	Hose Duct 4"	N/A	N/A	007417F	N/A	N/A	N/A
	Hose Duct 6"	007420F	007420F	007420F	007420F	007420F	007420F
5-F	Filter Media 8 x 8	009730F	009730F	009730F	009730F	009730F	009730F
G GAS VALVES							
1-G	Main Valve Gas Manual A 1-1/4" (IRI)	N/A	N/A	007190F	007190F	007190F	007190F
2-G	Valve Gas Manual A 3/4"	007421F	007421F	007421F	007421F	007421F	007421F
3-G	Bleedle Valve 1/4"	007422F	007422F	007422F	007422F	007422F	007422F
	Bleedle Valve 1/8"	007423F	007423F	007423F	007423F	007423F	007423F
4-G	Combination Gas Valve On/Off Nat 3/4"	007424F	007424F	007424F	007424F	007424F	007424F
	Combination Gas Valve On/Off Pro 3/4"	007425F	007425F	007425F	007425F	007425F	007425F
	Combination Gas Valve On/Off Nat 3/4" (Low Gas Press.)	N/A	007666F	N/A	007666F	007666F	N/A
5-G	Switch Low Gas Pressure w/o Bracket (optional)	007187F	007187F	007187F	007187F	007187F	007187F
6-G	Switch High Gas Pressure w/o Bracket (optional)	007188F	007188F	007188F	007188F	007188F	007188F
7-G	Solenoid Gas Valve	008407F	008407F	N/A	N/A	N/A	N/A
8-G	Vent Valve (IRI)	N/A	N/A	011913F	011913F	011913F	011913F
9-G	Valve Gas Manual B (IRI)	N/A	N/A	007195F	007195F	007195F	007195F
10-G	Valve On/Off (IRI)	N/A	N/A	004094F	004094F	004094F	004094F
H HEAT EXCHANGER							
1-H	Heat Exch Assy Cast Iron	007452F	007453F	007454F	007455F	007456F	007457F
	Heat Exch Assy Brass	007458F	007459F	007460F	007461F	007462F	007463F
	Heat Exch Assy Cast Iron w/Pump Hdr	008852F	008853F	007466F	007467F	007468F	007469F
	Heat Exch Assy Brass w/Pump Hdr	008854F	007471F	007472F	007473F	007474F	007475F
	Heat Exch Assy Cast Iron Cupro Nickel	007476F	007477F	007478F	007479F	007480F	007481F
	Heat Exch Assy Brass Cupro Nickel	007482F	007483F	007484F	007485F	007486F	007487F
	Heat Exch Assy Cast Iron w/Pump Hdr Cupro Nickel	007488F	007489F	007490F	007491F	007492F	007493F
	Heat Exch Assy Brass w/Pump Hdr Cupro Nickel	008855F	007495F	007496F	007497F	007498F	007499F
2-H	Inlet/Outlet Header Cast Iron	007500F	007500F	007500F	007500F	007500F	007500F
	Inlet/Outlet Header Brass	007501F	007501F	007501F	007501F	007501F	007501F
3-H	Return Header Cast Iron	007502F	007502F	007502F	007502F	007502F	007502F
	Return Header Brass	007503F	007503F	007503F	007503F	007503F	007503F
4-H	Return Pump Header Cast Iron	007504F	007504F	007504F	007504F	007504F	007504F
	Return Pump Header Brass	007505F	007505F	007505F	007505F	007505F	007505F
5-H	Tube Bundle	007506F	007507F	007508F	007509F	007510F	007511F
	Tube Bundle Cupro Nickel	007512F	007513F	007514F	007515F	007516F	007517F
6-H	Heat Exchange Tube	007518F	007519F	007520F	007521F	007522F	007523F
	Heat Exchange Tube Cupro Nickel	007524F	007525F	007526F	007527F	007528F	007529F
7-H	Stud Bolt Kit	007536F	007536F	007536F	007536F	007536F	007536F
	Stud Bolt Kit w/Pump Header	007537F	007537F	007537F	007537F	007537F	007537F
8-H	Header Gasket	800001B	800001B	800001B	800001B	800001B	800001B
9-H	Baffle Kit "H"	009804F	009805F	009806F	009807F	009808F	009809F
	Baffle Kit "WH" and "P"	007530F	007531F	007532F	007533F	007534F	007535F
10-H	Sensor Well	007211F	007211F	007211F	007211F	007211F	007211F
11-H	Well Retaining Clip	300203	300203	300203	300203	300203	300203

302B, 402B, 502B, 652B, 752B, 902B (HI DELTA)

PARTS-COMMERCIAL

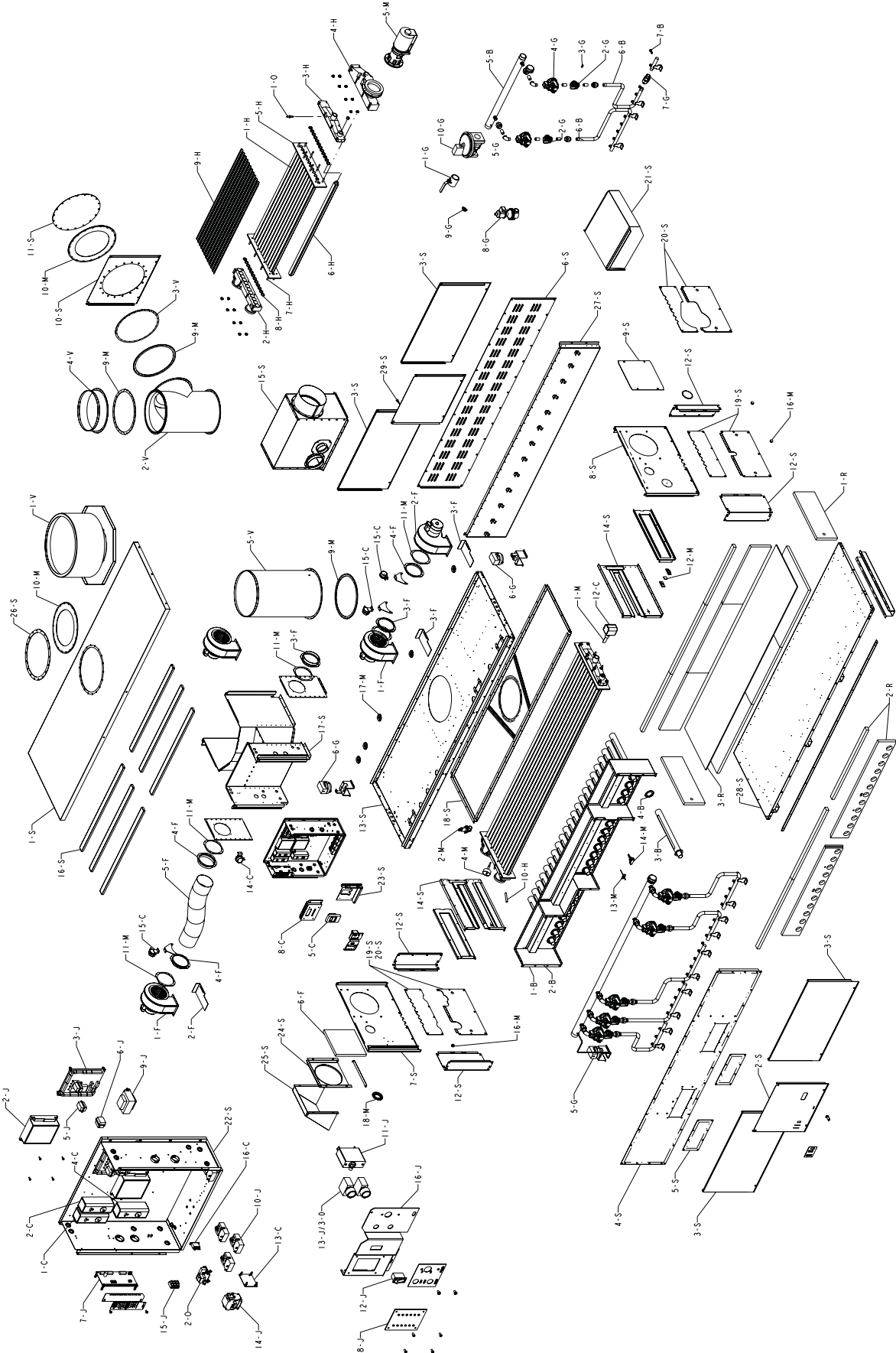
CALL OUT	DESCRIPTION	302B	402B	502B	652B	752B	902B
J	CONTROL BOX						
1-J	Control Box	N/A	N/A	N/A	N/A	N/A	N/A
2-J	Ignition Control	007374F	007374F	007374F	007374F	007374F	007374F
	Ignition Control with Manual Reset	009057F	009057F	009057F	009057F	009057F	009057F
3-J	Printed Circuit Board CPW	009626F	009626F	009626F	009626F	009626F	009626F
5-J	Relay DPDT 24VAC (K1 & K2)	009688F	009688F	009688F	009688F	009688F	009688F
6-J	Relay 3PDT 120VAC (K3)	009689F	009689F	009689F	009689F	009689F	009689F
7-J	Printed Circuit Board UDB (Diagnostic)	011758F	011758F	011758F	011758F	011758F	011758F
8-J	Printed Circuit Board Status Lights	007896F	007896F	007896F	007896F	007896F	007896F
9-J	Transformer 100 VA	007494F	007494F	007494F	007494F	007494F	007494F
10-J	Time Delay Contactor	008921F	008921F	008921F	008921F	008921F	008921F
11-J	Automatic Shut Down Switch	007380F	007380F	007380F	007380F	007380F	007380F
12-J	On/Off Switch	006872F	006872F	006872F	006872F	006872F	006872F
13-J	Momentary Switch	005641F	005641F	005641F	005641F	005641F	005641F
14-J	Terminal Block (3 Space)	007382F	007382F	007382F	007382F	007382F	007382F
15-J	Switch Mtg Panel	009628F	009628F	009628F	009628F	009628F	009628F
M	MISCELLANEOUS						
1-M	Flow Switch Paddle	010026F	004079F	004079F	004079F	004079F	004079F
2-M	PRV 30 PSI	007470F	007470F	007217F	007218F	007219F	007748F
	PRV 45 PSI	007220F	007220F	007220F	007346F	007221F	007221F
	PRV 60 PSI	007222F	007222F	007222F	007222F	007222F	007222F
	PRV 75 PSI	007223F	007223F	007223F	007223F	007223F	007223F
	PRV 125 PSI	011912F	011912F	011912F	007224F	007224F	007224F
	PRV 150 PSI	007225F	007225F	007225F	007225F	007225F	007225F
3-M	Delimiting Kit	052870F	052870F	052870F	052870F	052870F	052870F
4-M	T & P Gauge (H)	007205F	007205F	007205F	007205F	007205F	007205F
	T & P Gauge (W)	007399F	007399F	007399F	007399F	007399F	007399F
5-M	Integral Pump 4" Impeller	009296F	009296F	009296F	009296F	009296F	009296F
	Integral Pump 4-1/4 Impeller	N/A	N/A	004844F	004844F	004844F	004844F
6-M	Pump Inline CIBF Taco 0012	007746	007746	007746	007746	007746	N/A
	Pump Inline BR Taco 0012	007747	007747	007747	007747	007747	N/A
7-M	Pump Cartridge Taco 0012	951153F	951153F	951153F	951153F	951153F	N/A
8-M	Pump Gasket Taco 0012	008749F	008749F	008749F	008749F	008749F	N/A
9-M	Thermostatic Converter diverting valve Sparco	009076F	009076F	009077F	009077F	009077F	009078F
10-M	Gasket diverting (Pool)	009079F	009079F	009080F	009080F	009080F	009081F
11-M	RTV Sealant 2.8 oz	008924F	008924F	008924F	008924F	008924F	008924F
	RTV Sealant 10 oz	005755F	005755F	005755F	005755F	005755F	005755F
12-M	Sealant Tape (gray) Specify Length	800351	800351	800351	800351	800351	800351
13-M	Fiberfrax Insulation 1" Wide	008405F	008405F	008405F	008405F	008405F	008405F
14-M	Flue Exhaust Tee Seal Gasket	009734F	009735F	009735F	009736F	009736F	009736F
15-M	Flue Exhaust Adapter Seal Gasket	009737F	009738F	009738F	009739F	009739F	009739F
16-M	Intake Air Seal Gaskets (TruSeal)	010028F	010028F	010028F	010028F	010028F	010028F
17-M	Window Combustion Chamber	006947F	006947F	006947F	006947F	006947F	006947F
18-M	Flame Sensor	006535F	006535F	006535F	006535F	006535F	006535F
19-M	Igniter	007400F	007400F	007400F	007400F	007400F	007400F
20-M	Touch-up Paint (Green)	750125	750125	750125	750125	750125	750125
	Touch-up Paint (Dark Gray)	750126	750126	750126	750126	750126	750126
21-M	Sight Window Plug	008474F	008474F	008474F	008474F	008474F	008474F
22-M	Gas Manifold Grommet 3/4" NPT	010778F	010778F	010778F	010778F	010778F	010778F
23-M	Gas Manifold Grommet 1-1/4" NPT	N/A	N/A	010779F	010779F	010779F	010779F
O	OPTIONS						
1-O	Remote Sensor for Low Water Cut-Off	007228F	007228F	007228F	007228F	007228F	007228F
2-O	Low Water Cut Off PC Board	007157F	007157F	007157F	007157F	007157F	007157F
3-O	Momentary Switch	005641F	005641F	005641F	005641F	005641F	005641F
R	REFRACTORY						
1-R	Refractory Kit (All Panels)	007401F	007402F	007403F	007404F	007405F	007406F
2-R	Refractory Front Panels	007407F	007408F	007409F	007410F	007411F	007412F
3-R	Refractory Blanket	009863F	009864F	009865F	009866F	009867F	009868F

302B, 402B, 502B, 652B, 752B, 902B (HI DELTA)

CALL OUT	DESCRIPTION	302B	402B	502B	652B	752B	902B
S	SHEETMETAL						
1-S	Jacket Top	009740F	009741F	009742F	009743F	009744F	009745F
2-S	Upfront Control Panel	009746F	009746F	009746F	009746F	009746F	009746F
	Upfront Control Panel w/ Window	009747F	009747F	009747F	009747F	009747F	009747F
3-S	Upper Control Access Jacket Panel	009748F	009749F	009750F	009751F	009752F	009753F
4-S	Lower Front Jacket Panel	009754F	009755F	009756F	009757F	009758F	009759F
5-S	Access Panel Igniter/Sensor	009694F	009694F	009694F	009694F	009694F	009694F
6-S	Lower Rear Jacket Panel	009760F	009761F	009762F	009763F	009764F	009765F
7-S	Upper Left Side Jacket Panel	009816F	009816F	009766F	009766F	009766F	009766F
8-S	Upper Right Side Jacket Panel	009817F	009817F	009767F	009767F	009767F	009767F
9-S	Air Intake Cover Panel	009768F	009768F	009768F	009768F	009768F	009768F
10-S	Rear Flue Exhaust Cover Panel	009769F	009770F	009770F	009771F	009771F	009771F
11-S	Flue Exhaust Cover Panel	009772F	009773F	009773F	009774F	009774F	009774F
12-S	Lower Corner Supports Front and Rear	009775F	009775F	009775F	009775F	009775F	009775F
13-S	Center Support Panel	010245F	010246F	010247F	010248F	010249F	010250F
14-S	Left & Right Heat Exchanger Support	010251F	010251F	010251F	010251F	010251F	010251F
15-S	Air Intake Adapter Panel TruSeal	009776F	009776F	009776F	009776F	009776F	009776F
16-S	Support Horizontal	009777F	009778F	009779F	009780F	009781F	009782F
17-S	Support Assy Controls and Flue Exhaust	009886F	009886F	009783F	009783F	009783F	009783F
18-S	Flue Collector Top	009784F	009785F	009786F	009787F	009788F	009789F
19-S	Access Panel	009790F	009790F	009790F	009790F	009790F	009790F
20-S	Access Panel w/Pump	009791F	009791F	009791F	009791F	009791F	009791F
21-S	Pump Cover	002671F	002671F	002671F	002671F	002671F	002671F
22-S	Control Box Sheetmetal	009792F	009792F	009792F	009792F	009792F	009792F
23-S	Controller Mounting Panel	009698F	009698F	009698F	009698F	009698F	009698F
24-S	Filter Mounting Panel	009793F	009793F	009793F	009793F	009793F	009793F
25-S	Intake Air Vent Hood	010746F	010746F	010746F	010746F	010746F	010746F
26-S	Blower Plenum	009887F	009887F	N/A	N/A	N/A	N/A
27-S	Flue Exhaust Gasket Retainer	010029F	010030F	010030F	010031F	010031F	010031F
28-S	Combustion Chamber Rear Panel	010766F	010767F	010768F	010769F	010770F	010771F
29-S	Base Assy	010754F	010755F	010756F	010757F	010758F	010759F
30-S	Rear Center Cover Panel	011858F	011858F	011858F	011858F	011858F	011858F
V	VENTING						
1-V	Outdoor Stack	010793	010794	010794	010795	010795	010795
2-V	Flue Exhaust Tee	009795F	009796F	009796F	009797F	009797F	009797F
3-V	Flue Exhaust Tee Cap	009798F	009799F	009799F	009800F	009800F	009800F
4-V	Flue Exhaust Adapter	009801F	009802F	009802F	009803F	009803F	009803F
5-V	Flue Exhaust Straight Pipe	011851F	011852F	011852F	011853F	011853F	011853F

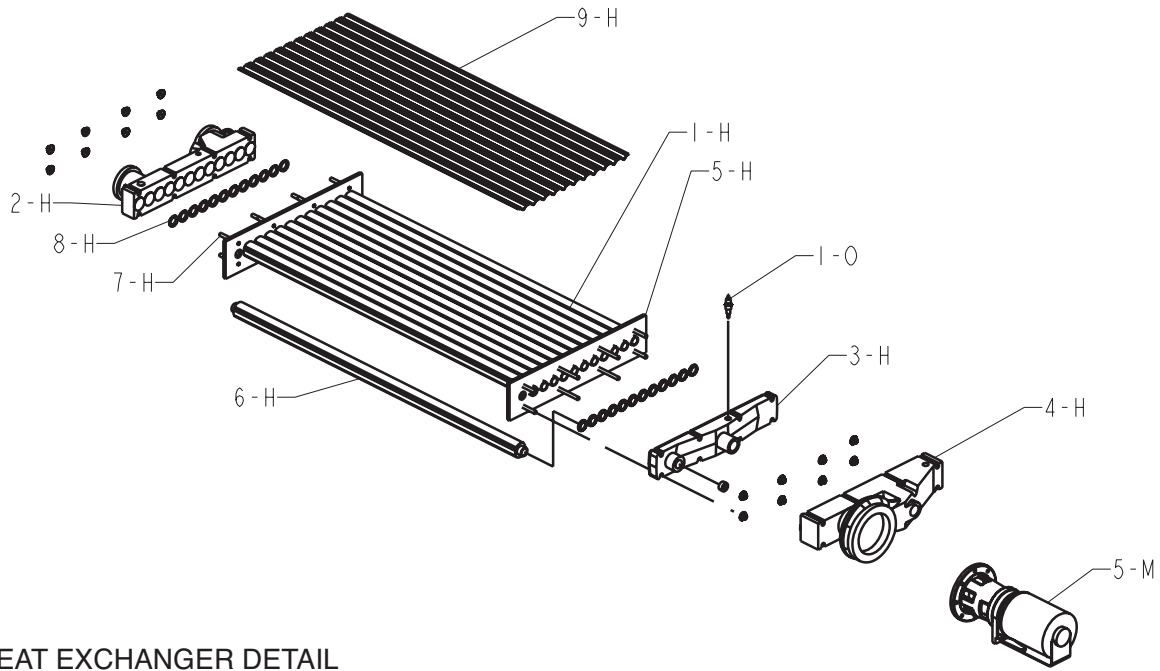
922B, 1262B, 1532B, 1802B, 2002B, 2072B, 2342B (HI DELTA)

DATE OF MANUFACTURE: 01-01-07 THRU CURRENT

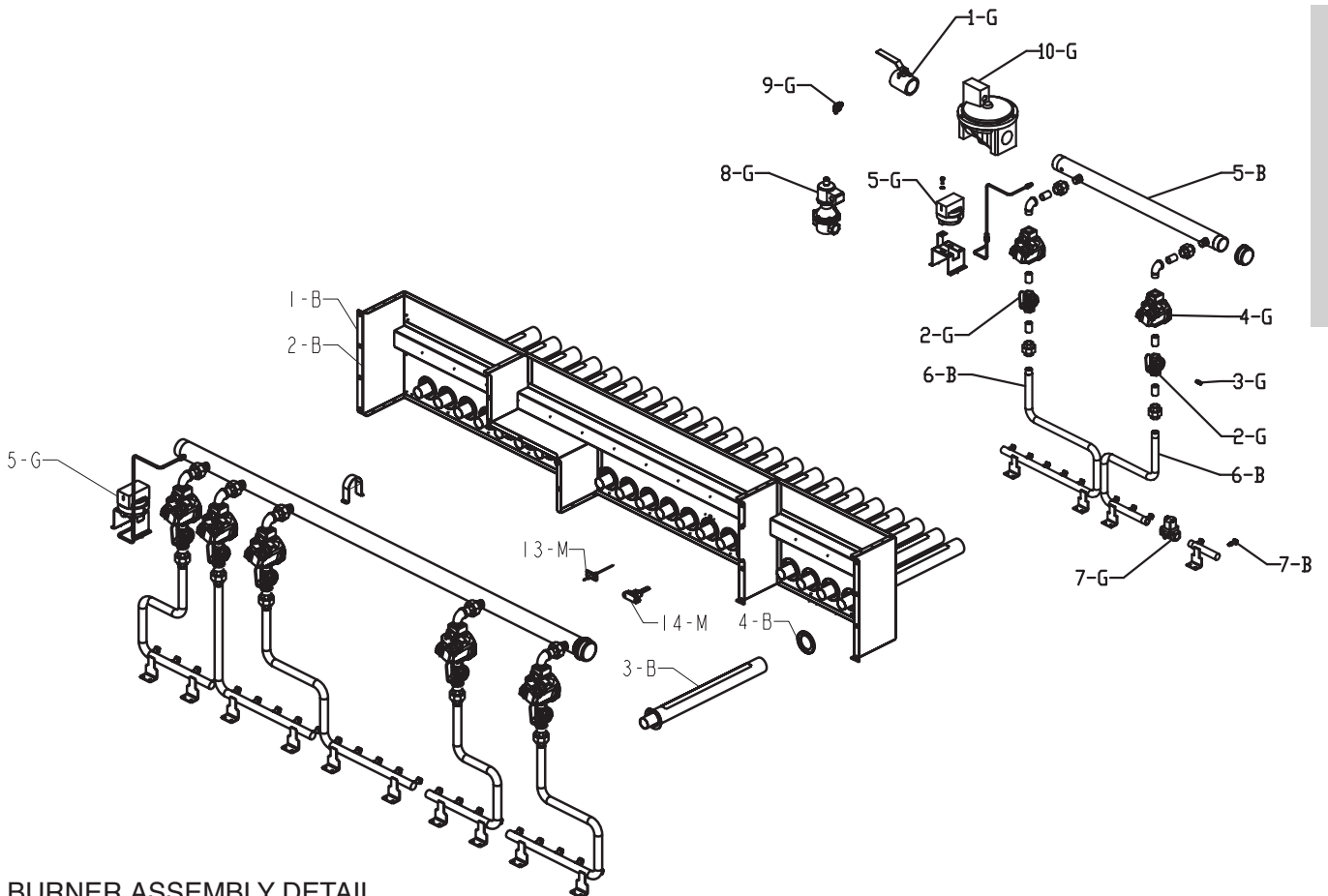


PARTS-COMMERCIAL

922B, 1262B, 1532B, 1802B, 2002B, 2072B, 2342B (HI DELTA)

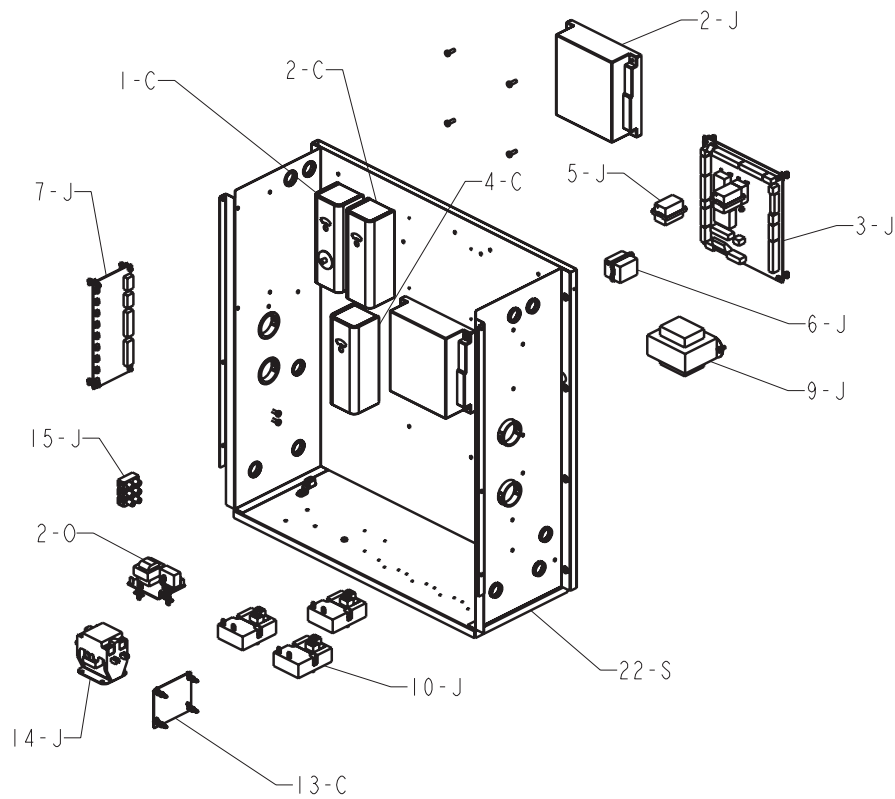


HEAT EXCHANGER DETAIL

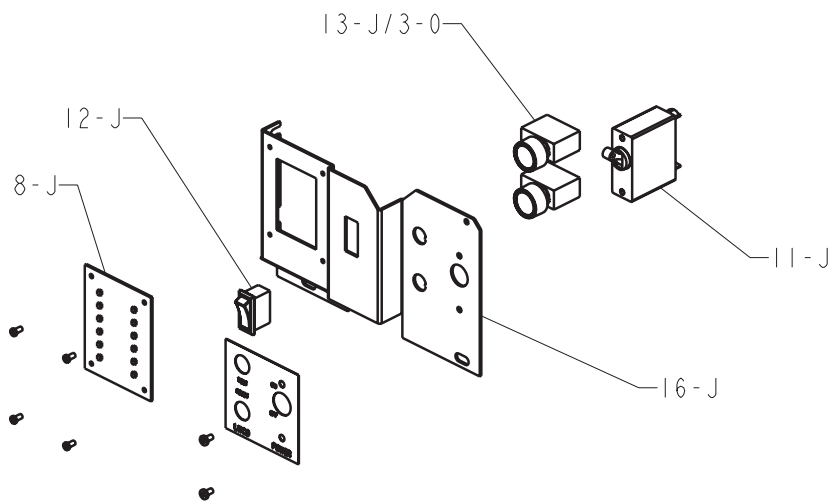


BURNER ASSEMBLY DETAIL

PARTS-COMMERCIAL



CONTROL BOX DETAIL



FRONT SWITCH DETAIL

922B, 1262B, 1532B, 1802B, 2002B, 2072B, 2342B (HI DELTA)

CALL OUT	DESCRIPTION	992B	1262B	1532B	1802B	2002B	2072B	2342B
B BURNER ASSEMBLY								
1-B	Burner Assy w/Burners	009598F	009599F	009600F	009601F	009602F	009602F	009603F
2-B	Burner Mounting Assy	009604F	009605F	009606F	009607F	009608F	009608F	009609F
3-B	Burner	007617F	007617F	007617F	007617F	007617F	007617F	007617F
4-B	Seal Gasket	007443F	007443F	007443F	007443F	007443F	007443F	007443F
5-B	Manifold Upper	009610F	009611F	009612F	009613F	009614F	009614F	009615F
6-B	Manifold Lower	009616F	009617F	008972F	008973F	008974F	008974F	008975F
7-B	Burner Orifice Nat.# 28 (Low Gas Press.)	351641/11	351641/14	351641/17	351641/20	351641/23	351641/23	351641/26
	Burner Orifice Nat.# 33	351444 / 11	351444 / 14	351444 / 17	351444 / 20	N/A	351444 / 23	351444 / 26
	Burner Orifice Nat.# 35	N/A	N/A	N/A	N/A	351618 / 23	N/A	N/A
	Burner Orifice Pro.# 52	351445 / 11	351445 / 14	351445 / 17	351445 / 20	N/A	351445 / 23	351445 / 26
C CONTROLS								
1-C	Manual Hi Limit 100-240F	007144F	007144F	007144F	007144F	007144F	007144F	007144F
	Manual Hi Limit 100-200F Max	008081F	008081F	008081F	008081F	008081F	008081F	008081F
	Manual Hi Limit 40-180F Max Pool	009554F	009554F	009554F	009554F	009554F	009554F	009554F
2-C	Adj. Auto Hi Limit 100-240F	007141F	007141F	007141F	007141F	007141F	007141F	007141F
	Adj. Auto Hi Limit 40-180F Max	006445F	006445F	006445F	006445F	006445F	006445F	006445F
3-C	Remote Aquastat (Tankstat) (B-2)	007148F	007148F	007148F	007148F	007148F	007148F	007148F
	Remote Aquastat (Tankstat) 2-Stage (B-3)	007392F	007392F	007392F	007392F	007392F	007392F	007392F
	Remote Aquastat (Tankstat) 2-Stage (B-9)	007392F	007392F	007392F	007392F	007392F	007392F	007392F
4-C	Controller 2-Stage (B-4)	007393F	007393F	007393F	007393F	007393F	007393F	007393F
	Controller 2-Stage (B-6)	007392F	007392F	007392F	007392F	007392F	007392F	007392F
	Controller On/Off (B-20)	006445F	006445F	006445F	006445F	006445F	006445F	006445F
5-C	Controller On/Off (B-28) Digital Tekmar	009729F	009729F	009729F	009729F	009729F	009729F	009729F
	Controller 2-Stage (B-26 / 27) Digital Raypak	009861F	009861F	009861F	009861F	009861F	009861F	009861F
	Controller 4-Stage (B-21 / 23) Digital Raypak	009862F	009862F	009862F	009862F	009862F	009862F	009862F
6-C	Sensor Outdoor Air Raypak	010786F	010786F	010786F	010786F	010786F	010786F	010786F
7-C	Sensor Water Raypak	010787F	010787F	010787F	010787F	010787F	010787F	010787F
8-C	Controller RayTemp (B-25)	010252F	010252F	010252F	010252F	010252F	010252F	010252F
9-C	Sensor Return Temperature RayTemp	009506F	009506F	009506F	009506F	009506F	009506F	009506F
10-C	Sensor Outdoor Air RayTemp	010788F	010788F	010788F	010788F	010788F	010788F	010788F
11-C	Temp Controller Pool (not shown)	003346F	003346F	003346F	003346F	003346F	003346F	003346F
12-C	Flow Switch	007142F	007142F	007142F	007142F	007142F	007142F	007142F
13-C	Economaster II Control	004675F	004675F	004675F	004675F	004675F	004675F	004675F
14-C	Switch Air Pressure (Vent)	007158F	007158F	007158F	007158F	007158F	007158F	007158F
15-C	Switch Air Pressure Differential (Blower)	008171F	008171F	008171F	008171F	008171F	008171F	008171F
16-C	Relay 24 VAC (Auto Reset Hi Limit100-240F)	009039F	009039F	009039F	009039F	009039F	009039F	009039F
F FAN								
1-F	Blower Combustion Air (Left Hand)	007413F	007413F	007413F	007413F	007413F	007413F	007413F
2-F	Blower Combustion Air (Right Hand)	007414F	007414F	007414F	007414F	007414F	007414F	007414F
3-F	Air Shutter	009618F	009618F	009618F	009618F	009618F	009618F	009618F
4-F	Intake Blower Flange 6" (Truseal)	009697F	009697F	009697F	009697F	009697F	009697F	009697F
	Intake Blower Flange 4" (Truseal)	011746F	N/A	N/A	N/A	N/A	011746F	011746F
5-F	Hose Duct 6" (Truseal)	007420F	007420F	007420F	007420F	007420F	007420F	007420F
	Hose Duct 4" (Truseal)	007419F	N/A	N/A	N/A	N/A	007419F	007419F
6-F	Filter Media	008402F	008402F	008402F	008402F	008402F	008402F	008402F
G GAS VALVES								
1-G	Main Valve Gas Manual A 2" (IRI)	007665F	007665F	007665F	007665F	007665F	007665F	007665F
2-G	Valve Gas Manual A 3/4"	007421F	007421F	007421F	007421F	007421F	007421F	007421F
	Valve Gas Manual A 1" (Low Gas Press.)	007189F	007189F	007189F	007189F	007189F	007189F	007189F
3-G	Bleedle Valve 1/4"	007422F	007422F	007422F	007422F	007422F	007422F	007422F
	Bleedle Valve 1/8"	007423F	007423F	007423F	007423F	007423F	007423F	007423F
4-G	Combination Gas Valve Nat 3/4"	007666F	007666F	007666F	007666F	007666F	007666F	007666F
	Combination Gas Valve Pro 3/4"	007667F	007667F	007667F	007667F	007667F	007667F	007667F
	Combination Gas Valve Nat 1" (Low Gas Press.)	011732F	011732F	011732F	011732F	011732F	011732F	011732F
5-G	Switch Low Gas Pressure w/o Bracket	007187F	007187F	007187F	007187F	007187F	007187F	007187F
6-G	Switch High Gas Pressure w/o Bracket (optional)	007188F	007188F	007188F	007188F	007188F	007188F	007188F
7-G	Solenoid Gas Valve	008407F	N/A	N/A	N/A	N/A	N/A	N/A
8-G	Vent Valve (IRI)	011914F	011914F	011914F	011914F	011914F	011914F	011914F
9-G	Valve Gas Manual B (IRI)	007195F	007195F	007195F	007195F	007195F	007195F	007195F
10-G	Valve On/Off (IRI)	004096F	004096F	004096F	004096F	004096F	004096F	004096F
H HEAT EXCHANGER								
1-H	Heat Exch Assy Cast Iron	007668F	007669F	007670F	007671F	007672F	007672F	007673F
	Heat Exch Assy Brass	007674F	007675F	007676F	007677F	007678F	007678F	007679F
	Heat Exch Assy Cast Iron w/Pump Hdr	007680F	007681F	007682F	007683F	N/A	N/A	N/A
	Heat Exch Assy Brass w/Pump Hdr	007686F	007687F	007688F	007689F	N/A	N/A	N/A
	Heat Exch Assy Cast Iron Cupro Nickel	007692F	007693F	007694F	007695F	007696F	007696F	007697F
	Heat Exch Assy Brass Cupro Nickel	007698F	007699F	007700F	007701F	007702F	007702F	007703F
	Heat Exch Assy Cast Iron w/Pump Hdr Cupro Nickel	007704F	007705F	007706F	007707F	N/A	N/A	N/A
	Heat Exch Assy Brass w/Pump Hdr Cupro Nickel	007710F	007711F	007712F	007713F	N/A	N/A	N/A
2-H	Inlet/Outlet Header Cast Iron	007716F	007716F	007716F	007716F	007716F	007716F	007716F
	Inlet/Outlet Header Brass	007717F	007717F	007717F	007717F	007717F	007717F	007717F
3-H	Return Header Cast Iron	007718F	007718F	007718F	007718F	007718F	007718F	007718F
	Return Header Brass	007719F	007719F	007719F	007719F	007719F	007719F	007719F
4-H	Return Pump Header Cast Iron	007720F	007720F	007720F	007720F	N/A	N/A	N/A
	Return Pump Header Brass	007721F	007721F	007721F	007721F	N/A	N/A	N/A
5-H	Tube Bundle	007722F	007723F	007724F	007725F	007726F	007726F	007727F
	Tube Bundle Cupro Nickel	007728F	007729F	007730F	007731F	007732F	007732F	007733F
6-H	Heat Exchange Tube	007734F	007735F	007736F	007737F	007738F	007738F	007739F
	Heat Exchange Tube Cupro Nickel	007740F	007741F	007742F	007743F	007744F	007744F	007745F
7-H	Stud Bolt Kit	007828F	007828F	007828F	007828F	007828F	007828F	007828F
	Stud Bolt Kit w/Pump Header	007829F	007829F	007829F	007829F	007829F	007829F	007829F
8-H	Header Gasket	007834F	007834F	007834F	007834F	007834F	007834F	007834F
9-H	Baffle Kit "H"	009810F	009811F	009812F	009813F	009814F	009814F	009815F
	Baffle Kit "WH" and "P"	007858F	007859F	007860F	007861F	007862F	007862F	007863F
10-H	Sensor Well	007211F	007211F	007211F	007211F	007211F	007211F	007211F
11-H	Well Retaining Clip	300203	300203	300203	300203	300203	300203	300203

PARTS-COMMERCIAL

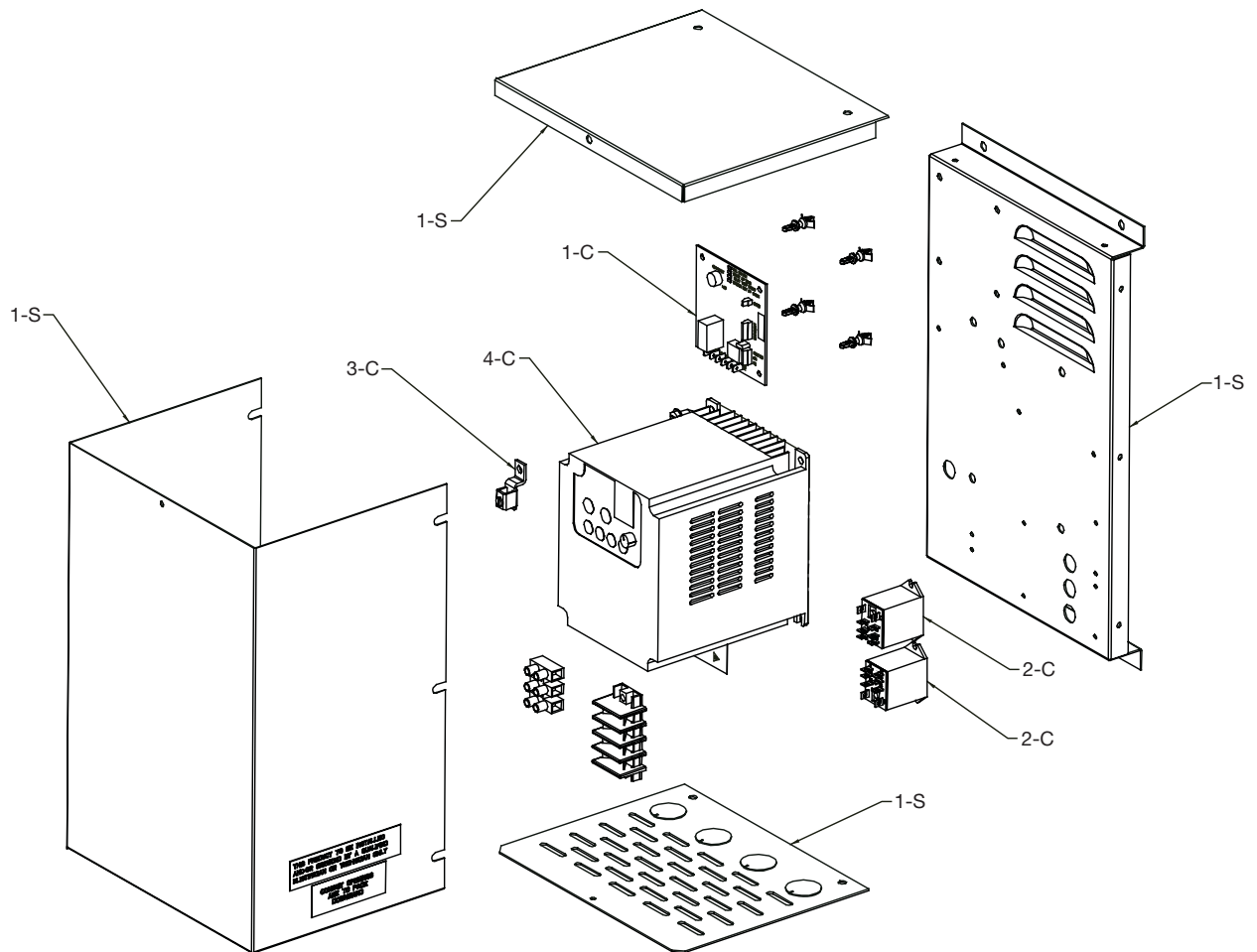
922B, 1262B, 1532B, 1802B, 2002B, 2072B, 2342B (HI DELTA)

PARTS-COMMERCIAL

CALL OUT	DESCRIPTION	992B	1262B	1532B	1802B	2002B	2072B	2342B
J CONTROL BOX								
1-J	Control Box	N/A	N/A	N/A	N/A	N/A	N/A	N/A
	Control Box (Pool)	N/A	N/A	N/A	N/A	N/A	N/A	N/A
2-J	Ignition Control	007374F	007374F	007374F	007374F	007374F	007374F	007374F
	Ignition Control with Manual Reset	009057F	009057F	009057F	009057F	009057F	009057F	009057F
3-J	Printed Circuit Board CPW	009626F	009626F	009627F	009627F	009627F	009627F	009627F
5-J	Relay DPDT 24VAC (K1, K2, K3 & K5)	009688F	009688F	009688F	009688F	009688F	009688F	009688F
6-J	Relay 3PDT 120VAC (K4)	009689F	009689F	009689F	009689F	009689F	009689F	009689F
7-J	Printed Circuit Board UDB	011758F	011758F	011758F	011758F	011758F	011758F	011758F
8-J	Printed Circuit Board Status Lights	007896F	007896F	007896F	007896F	007896F	007896F	007896F
9-J	Transformer 100 VA	007494F	007494F	007494F	007494F	007494F	007494F	007494F
10-J	Time Delay Contactor	008921F	008921F	008921F	008921F	008921F	008921F	008921F
11-J	Automatic Shut Down Switch	007380F	007380F	007380F	007380F	007380F	007380F	007380F
12-J	On/Off Switch	006872F	006872F	006872F	006872F	006872F	006872F	006872F
13-J	Momentary Switch	005641F	005641F	005641F	005641F	005641F	005641F	005641F
14-J	Contactor DPST 24vac 50A	N/A	009860F	009860F	009860F	009860F	009860F	009860F
15-J	Terminal Block (3 Space)	007382F	007382F	007382F	007382F	007382F	007382F	007382F
16-J	Switch Mtg Panel	009628F	009628F	009628F	009628F	009628F	009628F	009628F
M MISCELLANEOUS								
1-M	Flow Switch Paddle	010026F	010026F	010026F	010026F	010026F	010026F	010026F
2-M	PRV 30 PSI	007748F	007748F	007748F	007748F	008088F	008088F	008088F
	PRV 45 PSI	007221F	007751F	007751F	007752F	007752F	007752F	007752F
	PRV 60 PSI	007222F	007753F	007754F	007754F	007754F	007754F	008288F
	PRV 75 PSI	007223F	007756F	007756F	007756F	007757F	007757F	007757F
	PRV 125 PSI	007224F	007224F	007224F	007758F	007759F	007759F	007759F
	PRV 150 PSI	007225F	007225F	007225F	007225F	007225F	007225F	007225F
3-M	Deliming Kit	052870F	052870F	052870F	052870F	052870F	052870F	052870F
4-M	T & P Gauge (H)	007205F	007205F	007205F	007205F	007205F	007205F	007205F
	T & P Gauge (WH)	007399F	007399F	007399F	007399F	007399F	007399F	007399F
5-M	Integral Pump 4" Impeller	009296F	009296F	N/A	N/A	N/A	N/A	N/A
	Integral Pump 4.7 Impeller	004845F	004845F	004845F	004845F	N/A	N/A	N/A
6-M	RTV Sealant 2.8 oz	008924F	008924F	008924F	008924F	008924F	008924F	008924F
	RTV Sealant 10 oz	005755F	005755F	005755F	005755F	005755F	005755F	005755F
7-M	Sealant Tape (gray) Specify Length	800351	800351	800351	800351	800351	800351	800351
8-M	Fiberfrax Insulation 1" Wide	008406F	008406F	008406F	008405F	008405F	008405F	008405F
9-M	Flue Exhaust Tee Seal Gasket	009690F	009691F	009691F	009692F	009692F	009692F	009693F
10-M	Flue Exhaust Adapter Seal Gasket	009635F	009636F	009636F	009637F	009637F	009637F	009638F
11-M	Intake Air Seal Gaskets (Truseal)	010028F	010028F	010028F	010028F	010028F	010028F	010028F
12-M	Window Combustion Chamber	006947F	006947F	006947F	006947F	006947F	006947F	006947F
13-M	Flame Sensor	006535F	006535F	006535F	006535F	006535F	006535F	006535F
14-M	Igniter	007400F	007400F	007400F	007400F	007400F	007400F	007400F
15-M	Touch-up Paint (Green)	750125	750125	750125	750125	750125	750125	750125
	Touch-up Paint (Dark Gray)	750126	750126	750126	750126	750126	750126	750126
16-M	Sight Window Plug	008474F	008474F	008474F	008474F	008474F	008474F	008474F
17-M	Gas Manifold Grommet 3/4" NPT	010778F	010778F	010778F	010778F	010778F	010778F	010778F
18-M	Gas Manifold Grommet 2" NPT	010780F	010780F	010780F	010780F	010780F	010780F	010780F
O OPTIONS								
1-O	Remote Sensor for Low Water Cut-Off	007228F	007228F	007228F	007228F	007228F	007228F	007228F
2-O	Low Water Cut Off PC Board	007157F	007157F	007157F	007157F	007157F	007157F	007157F
3-O	Momentary Switch	005641F	005641F	005641F	005641F	005641F	005641F	005641F
R REFRACTORY								
1-R	Refractory Kit (All Panels)	007760F	007761F	007762F	007763F	007764F	007764F	007765F
2-R	Refractory Front Panels	007766F	007767F	007768F	007769F	007770F	007770F	007771F
3-R	Refractory Blanket	009869F	009870F	009871F	009872F	009873F	009873F	009874F
S SHEETMETAL								
1-S	Jacket Top	009629F	009630F	009631F	009632F	009633F	009633F	009634F
2-S	Upfront Control Panel (10 Indicator Lights)	009639F	N/A	N/A	N/A	N/A	N/A	N/A
	Upfront Control Panel (11 Indicator Lights)	N/A	009640F	009640F	009640F	N/A	N/A	N/A
	Upfront Control Panel (12 Indicator Lights)	N/A	N/A	N/A	N/A	009641F	009641F	009641F
	Upfront Control Panel w/ Window (10 Indicator Lights)	009642F	N/A	N/A	N/A	N/A	N/A	N/A
	Upfront Control Panel w/ Window (11 Indicator Lights)	N/A	009643F	009643F	009643F	N/A	N/A	N/A
	Upfront Control Panel w/ Window (12 Indicator Lights)	N/A	N/A	N/A	N/A	009644F	009644F	009644F
3-S	Upper Control Access Jacket Panel	009645F	009646F	009647F	009648F	009649F	009649F	009650F
4-S	Lower Front Jacket Panel	009651F	009652F	009653F	009654F	009655F	009655F	009656F
5-S	Access Panel Igniter/Sensor	009694F	009694F	009694F	009694F	009694F	009694F	009694F
6-S	Lower Rear Jacket Panel	009657F	009658F	009659F	009660F	009661F	009661F	009662F
7-S	Upper Left Side Jacket Panel	009663F	009663F	009663F	009663F	009663F	009663F	009663F
8-S	Upper Right Side Jacket Panel	009695F	009695F	009695F	009695F	009695F	009695F	009695F
9-S	Air Intake Cover Panel	009696F	009696F	009696F	009696F	009696F	009696F	009696F
10-S	Rear Flue Exhaust Cover Panel	009664F	009665F	009665F	009666F	009666F	009666F	009667F
11-S	Flue Exhaust Cover Panel	009713F	009714F	009714F	009715F	009715F	009715F	009716F
12-S	Lower Corner Supports Front and Rear	009668F	009668F	009668F	009668F	009668F	009668F	009668F
13-S	Center Support Panel	010237F	010238F	010239F	010240F	010241F	010241F	010243F
14-S	Left & Right Heat Exchanger Support	010244F	010244F	010244F	010244F	010244F	010244F	010244F
15-S	Intake Air Distribution Box (Truseal)	009669F	009669F	010789F	010789F	009670F	009670F	009670F
16-S	Support Horizontal	009671F	009672F	009673F	009674F	009675F	009675F	009676F
17-S	Support Assy Controls and Flue Exhaust	009677F	009677F	009677F	009677F	009677F	009677F	009677F
18-S	Flue Collector Top	009678F	009679F	009680F	009681F	009682F	009682F	009683F
19-S	Access Panel	009684F	009684F	009684F	009684F	009684F	009684F	009684F
20-S	Access Panel w/Pump	009685F	009685F	009685F	009685F	009685F	009685F	009685F
21-S	Pump Cover	002671F	002671F	002671F	002671F	002671F	002671F	002671F
22-S	Control Box Sheetmetal	009686F	009686F	009686F	009686F	009686F	009686F	009686F
23-S	Controller Mounting Panel	009698F	009698F	009698F	009698F	009698F	009698F	009698F
24-S	Filter Mounting Panel	009699F	009699F	009699F	009699F	009699F	009699F	009699F
25-S	Intake Air Vent Hood	010747F	010747F	010747F	010747F	010747F	010747F	010747F
26-S	Flue Exhaust Gasket Retainer	010032F	010033F	010033F	010034F	010034F	010034F	010035F
27-S	Combustion Chamber Rear Panel	010772F	010773F	010774F	010775F	010776F	010776F	010777F
28-S	Base Assy	010760F	010761F	010762F	010763F	010764F	010764F	010765F
29-S	Rear Center Cover Panel	011859F	011859F	011859F	011859F	011859F	011859F	011859F
V VENTING								
1-V	Outdoor Stack	010796	010797	010797	010798	010798	010798	010799
2-V	Flue Exhaust Tee	009701F	009702F	009702F	009703F	009703F	009703F	009704F
3-V	Flue Exhaust Tee Cap	009705F	009706F	009706F	009707F	009707F	009707F	009708F
4-V	Flue Exhaust Adapter	009709F	009710F	009710F	009711F	009711F	009711F	009712F
5-V	Flue Exhaust Straight Pipe	011854F	011855F	011855F	011856F	011856F	011856F	011857F

COLD RUN HI DELTA

DATE OF MANUFACTURE: 2006 THRU CURRENT



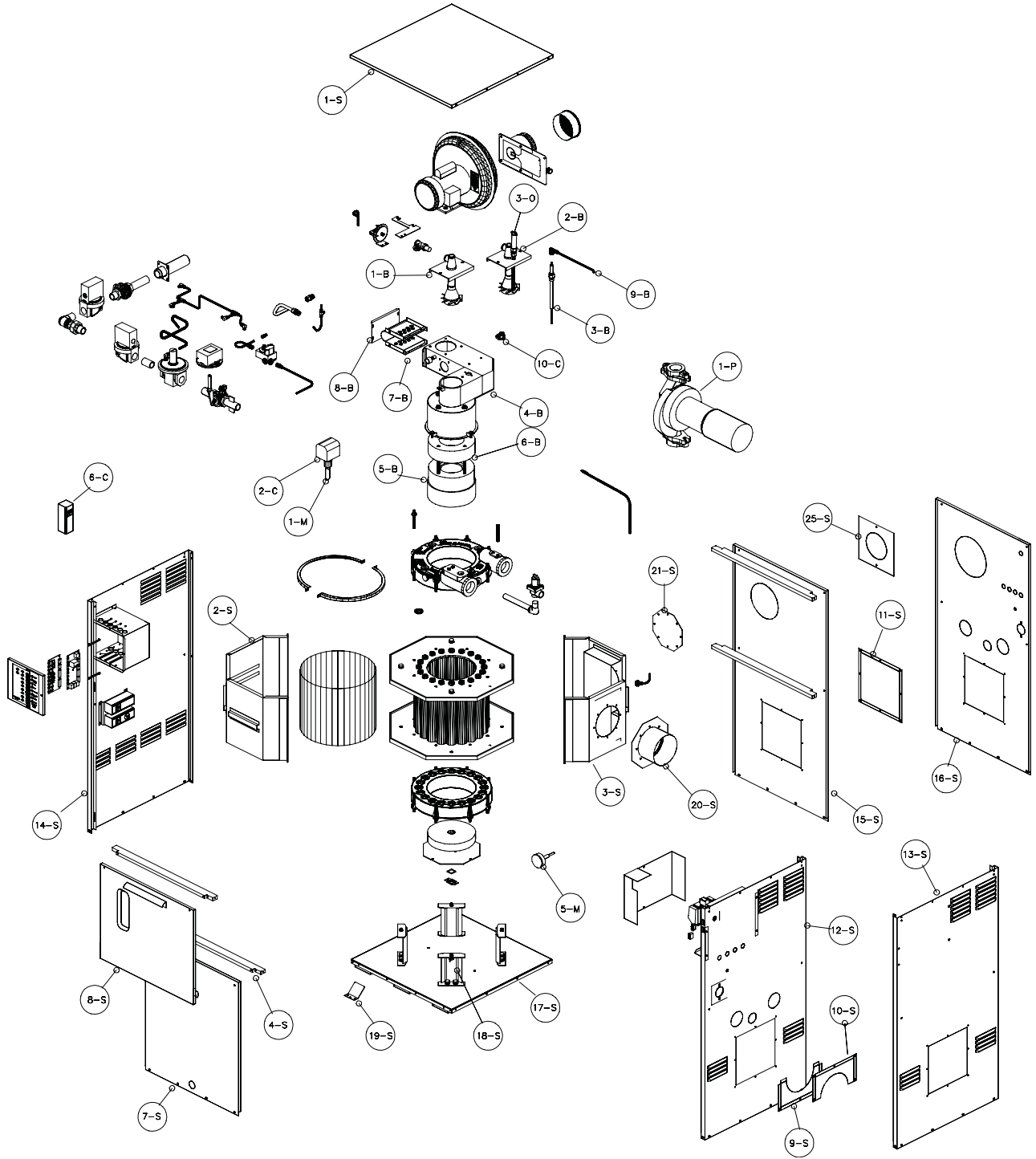
PARTS-COMMERCIAL

COLD RUN HI DELTA

CALL OUT	DESCRIPTION	PART NO.
1-C	PC BOARD ASSY-CONTROL	011717F
2-C	RELAY-DPDT 24V	011720F
3-C	GROUND LUG	007155F
4-C	INVERTER-1/2 HP	011835F
	INVERTER-1 HP	011836F
5-C	TEMPERATURE SENSOR 10K (NOT SHOWN)	010788F
1-M	PUMP-WATER BR 2" FLANGE, 1/4 HP	007226F
	PUMP-WATER CI 2" FLANGE, 1/4 HP	007232F
	PUMP-WATER BR 2-1/2" FLANGE, 3/4 HP	007348F
	PUMP-WATER CI 2-1/2" FLANGE, 3/4 HP	007354F
	PUMP-WATER BR 2-1/2" FLANGE, 1 HP	007351F
	PUMP-WATER CI 2-1/2" FLANGE, 1 HP	007357F
3-M	THERMOMETER-VERTICAL	000919
1-S	CONTROL BOX SHEET METAL	011716F

500,750,1000 (ADVANCED DESIGN BOILER)

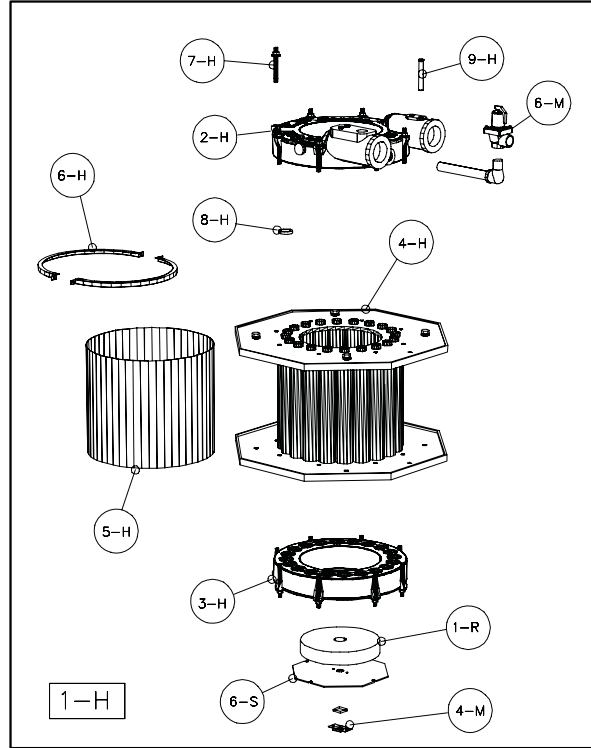
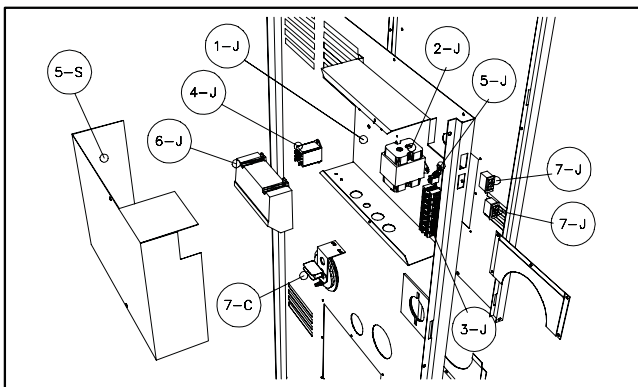
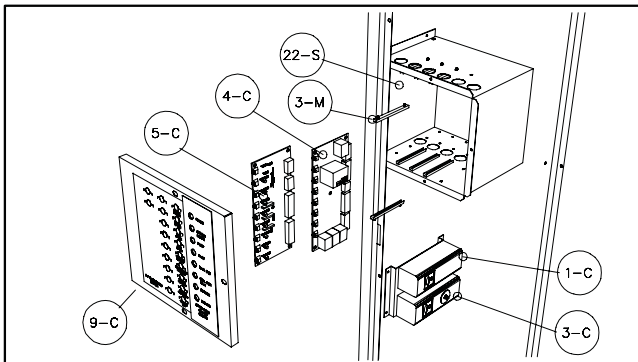
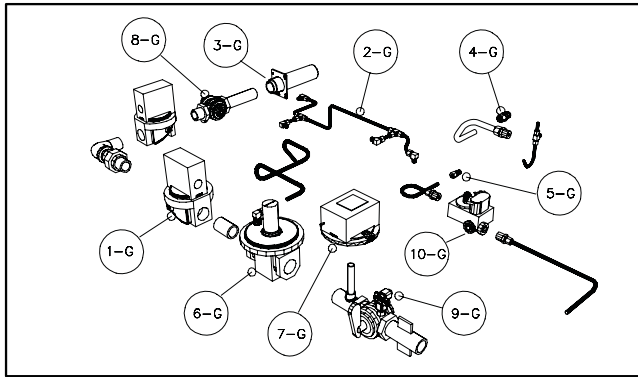
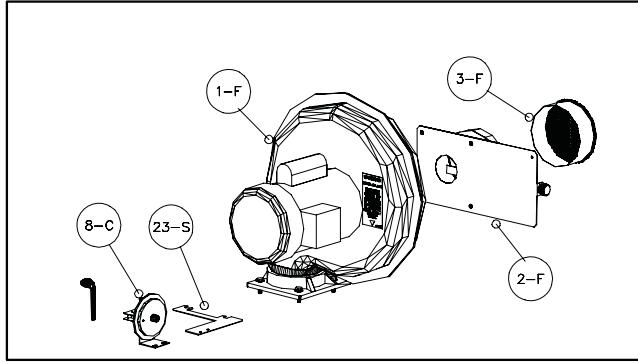
DATE OF MANUFACTURE: MODEL 500 08-01-97 THRU CURRENT
MODEL 750 08-01-97 THRU 03-13-02
MODEL 1000 08-01-97 THRU 03-18-02



PARTS-COMMERCIAL

Reference
IPL 9300.70

500,750,1000 (ADVANCED DESIGN BOILER)



PARTS-COMMERCIAL

500,750,1000 (ADVANCED DESIGN BOILER)

CALL OUT	DESCRIPTION	500	750	1000
B	BURNER ASSEMBLY			
1-B	Burner / Pilot Assembly IID	007105F	007106F	007107F
2-B	Burner / Pilot Assembly C-2	007110F	007111F	007112F
3-B	Ignitor-Spark Rod	007124F	007124F	007125F
4-B	Plenum Assembly Complete	007131F	007132F	007133F
5-B	Burner Block	007115F	007116F	007117F
6-B	Burner Housing Refractory Block	007118F	007119F	007120F
7-B	Baffle-Gas/Air Mixing	007126F	007127F	007128F
8-B	Plenum End Panel	007136F	007137F	007138F
9-B	High Tension Wire	007121F	007121F	007121F
10-B	Pilot Burner (not shown)	007923F	007923F	007923F
C	CONTROLS			
1-C	Auto Reset High Limit	007141F	007141F	007141F
2-C	Flow Switch	007142F	007142F	007142F
3-C	Manual Reset High Limit	007144F	007144F	007144F
4-C	Printed Circuit Board - Central Point Wiring	007146F	007146F	007146F
5-C	Printed Circuit Board - U2	007147F	007147F	007147F
6-C	Remote Aquastat- Storage tank (Tankstat)	007148F	007148F	007148F
7-C	Switch-Pressure Vent Normally Closed	007158F	007158F	007158F
8-C	Switch-Pressure Air Normally Open	007163F	007163F	007163F
9-C	Control Box Cover	007149F	007149F	007149F
10-C	Thermostat Manual Reset	006035F	006035F	006035F
J	CONTROL BOX			
1-J	Control Box Complete	007150F	007150F	007150F
2-J	Transformer 120/24 50 VA	006533F	006533F	006533F
3-J	Terminal Block 8 space	007152F	007152F	007152F
	Terminal Block w/Ground Tab (Not Shown)	008523F	008523F	008523F
4-J	Relay DPDT 24 VAC	007925F	007925F	007925F
5-J	Connector-Wire Bonding 14/6	007155F	007155F	007155F
6-J	Ignition Control IID	007156F	007156F	007156F
7-J	Switch-Rocker SPST 16A	006872F	006872F	006872F
F	FAN			
1-F	Blower Combustion Air	007159F	007159F	007159F
2-F	Air Shutter Assembly	006942F	006943F	006943F
3-F	Cap Intake Vent	007162F	007162F	007162F
G	GAS TRAIN			
1-G	Auto On/Off Valve (V-88)	004093F	004093F	004094F
2-G	Bleed Line Assembly	007166F	007166F	007166F
	Vent Line Assembly	007167F	007167F	007167F
3-G	Manifold-Gas Injector Nat	007168F	007169F	007170F
	Manifold-Gas Injector Pro	007173F	007174F	007175F
4-G	Orifice-Pilot Air	007178F	007178F	007178F
5-G	Orifice-Pilot Pro	007180F	007180F	007180F
	Orifice-Pilot Nat	007181F	007181F	007181F
6-G	Regulator Gas 1" Nat	007182F	007183F	N/A
	Regulator Gas 1-1/4" Nat	N/A	N/A	007184F
	Regulator Gas 1" Pro	007185F	007185F	N/A
	Regulator Gas 1-1/4" Pro	N/A	N/A	007186F
7-G	Switch Low Gas Pressure	007187F	007187F	007187F
8-G	Valve Gas Manual A 1"	007189F	007189F	N/A
	Valve Gas Manual A 1-1/4"	N/A	N/A	007190F
9-G	Valve Gas Manual B	007195F	007195F	007195F
10-G	Valve Pilot Gas Nat	007196F	007196F	007196F
	Valve Pilot Gas Pro	007197F	007197F	007197F
11-G	Switch High Gas Pressure (optional) Not Shown	007188F	007188F	007188F

500,750,1000 (ADVANCED DESIGN BOILER)

PARTS-COMMERCIAL

CALL OUT	DESCRIPTION	500	750	1000
H	HEAT EXCHANGER			
1-H	Heat Transfer Assy. Cupro Nickel (Includes 17-S)	007202F	007200F	007341F
	Heat Transfer Assy. Copper (Includes 17-S)	008738F	008739F	008740F
2-H	Inlet/Outlet Header Bronze	007203F	007203F	007342F
3-H	Return Header Bronze	007204F	007204F	007204F
4-H	Tube Bundle Cupro-Nickel (Use 1-H)	N/A	N/A	N/A
	Tube Bundle Copper (Use 1-H)	N/A	N/A	N/A
5-H	Flue Baffle	N/A	N/A	N/A
6-H	Heat Shield Baffle (2 pcs)	N/A	N/A	N/A
7-H	Studbolt HX 500-1000	006945F	006945F	006945F
8-H	Header Gasket (20 PCS)	007343F	007343F	007343F
9-H	Well-Bulb Sensor 1/2"x 3-5/16"	007211F	007211F	007211F
10-H	Drain Valve (Not Shown)	006536F	006536F	006536F
M	MISCELLANEOUS COMPONENTS			
1-M	Flow Swich Paddle	004079F	004079F	004079F
2-M	In Line Fuse Holder (Not Shown)	007216F	007216F	007216F
7-M	Fuse 15 AMP (Not Shown)	007936F	007936F	007936F
3-M	Guide PC Card	007143F	007143F	007143F
4-M	Window Combustion Chamber	006947F	006947F	006947F
5-M	T & P Guage Direct Mount	007205F	007205F	007205F
	T & P Guage 0-75 PSI Remote Mount	007344F	007344F	007344F
	T & P Guage 0-200 PSI Remote Mount	007345F	007345F	007345F
6-M	PRV 30 PSI	007217F	007218F	007219F
	PRV 45 PSI	007220F	007346F	007221F
	PRV 60 PSI	007222F	007222F	007222F
	PRV 75 PSI	007223F	007223F	007223F
	PRV 125 PSI	007224F	007224F	007224F
	PRV 150 PSI	007225F	007225F	007225F
8-M	RTV Sealant 2.8 oz	008924F	008924F	008924F
	RTV Sealant 10 oz	005755F	005755F	005755F
9-M	Touch Up Paint (Green)	750125	750125	750125
	Touch Up Paint (Dark Gray)	750126	750126	750126
O	OPTIONS (Not Shown)			
1-O	Amplifier-Flame Rectification C-2	007358F	007358F	007358F
2-O	Control-Burner Flame Safeguard C-2 Ignition	007359F	007359F	007359F
3-O	Detector-UV Flame C-2	007360F	007360F	007360F
4-O	Generator-Spark C-2	007361F	007361F	007361F
5-O	Panel-Contol Mounting	007362F	007362F	007362F
6-O	Remote Sensor for Low Water Cut-Off	007228F	007228F	007228F
7-O	Low Water Cut Off PC Board	007157F	007157F	007157F
P	PUMPS			
		2"	2"	2-1/2"
1-P	Pump -Circulating - Bronze (Soft Water)	007226F	007226F	007227F
	Pump -Circulating - Bronze (Medium Water)	007226F	007347F	007348F
	Pump -Circulating - Bronze (Hard Water)	007349F	007350F	007351F
	Pump -Circulating - CI (Soft Water)	007232F	007232F	007233F
	Pump -Circulating- CI (Medium Water)	007232F	007353F	007354F
	Pump -Circulating- CI (Hard Water)	007355F	007356F	007357F
R	REFRACTORY			
1-R	Blanket Return Header Refractory	007241F	007241F	007241F

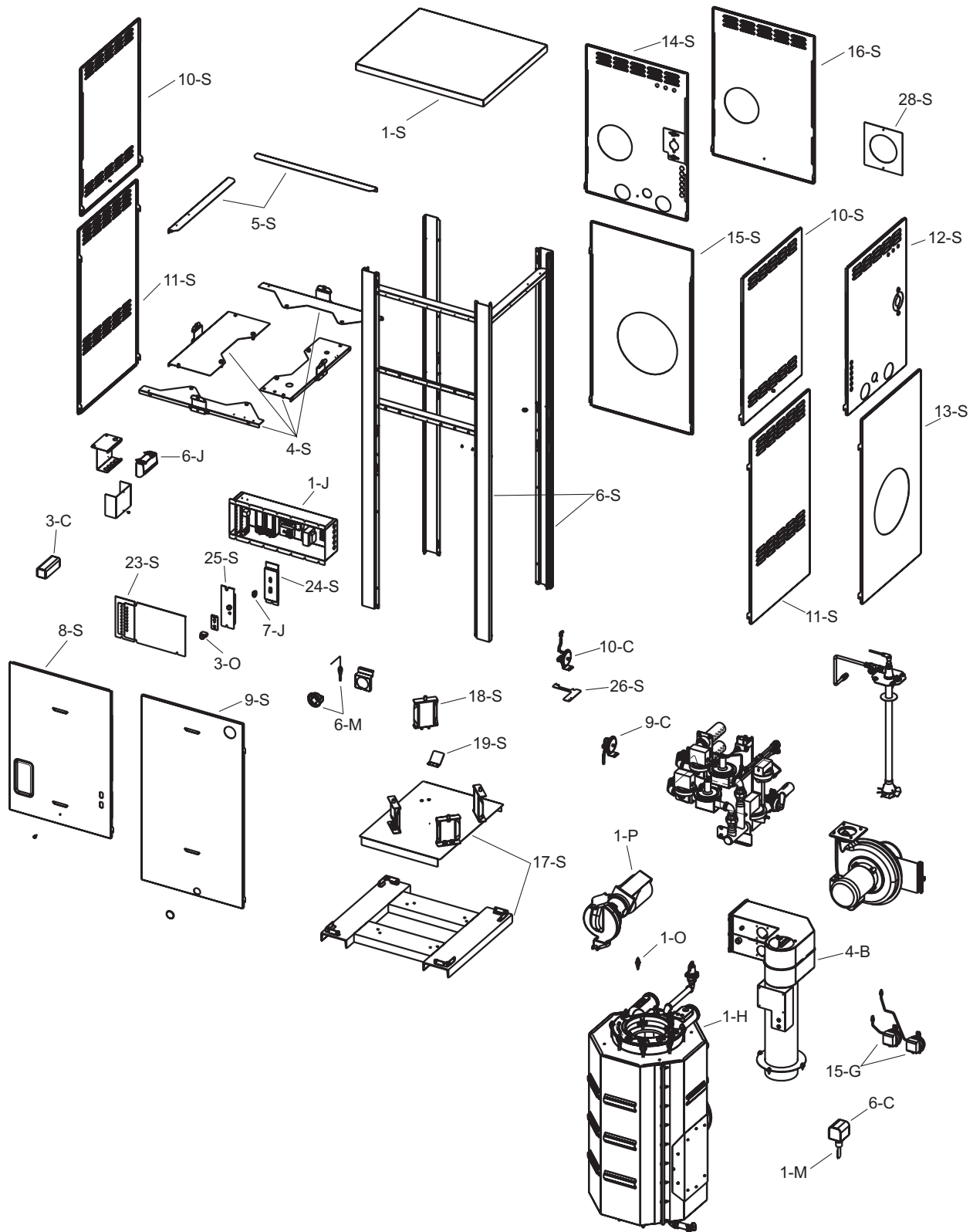
500,750,1000 (ADVANCED DESIGN BOILER)

CALL OUT	DESCRIPTION	500	750	1000
S	SHEETMETAL			
1-S	Jacket Top	007242F	007242F	007243F
2-S	Flue Collector Front (No opening)	007244F	007245F	007246F
3-S	Flue Collector Rear (opening)	007249F	007250F	007251F
4-S	Support Channel	007254F	007254F	007255F
5-S	Control Box Cover	007256F	007256F	007256F
6-S	Return Header Cover	007257F	007257F	007257F
7-S	Door (Lower)	007258F	007259F	007260F
8-S	Jacket Upper Front Panel	007263F	007263F	007264F
9-S	Access Panel Flue (Lower)	007267F	007268F	007269F
10-S	Access Panel Flue (Upper)	007272F	007273F	007274F
11-S	Access Panel Flue (1 Pc.) (blank-solid)	007277F	007277F	007278F
12-S	Jacket Side Right Panel	007281F	007282F	007283F
13-S	Jacket Side Right Panel Connection Option	007284F	007285F	007286F
14-S	Jacket Side Left Panel	007289F	007290F	007291F
15-S	Jacket Rear Panel	007294F	007295F	007296F
16-S	Jacket Rear Panel Connection Option	007299F	007300F	007301F
17-S	Base Assembly	007304F	007304F	007305F
18-S	Leg Bracket (4 pcs per boiler)	007306F	007306F	007306F
19-S	Base Reflector Panel	007307F	007307F	007307F
20-S	Flue Exhaust Flange Assembly	USE 3-S	006949F	006946F
21-S	Flue Exhaust Cover	USE 3-S	007311F	007312F
22-S	Control Box Assy	007145F	007145F	007145F
23-S	Bracket Pressure Switch MTG	007161F	007161F	007161F
24-S	Valve Pilot Mounting Bracket (Not shown)	007198F	007198F	007198F
25-S	Intake Air Cover Panel	007315F	007315F	007315F

751,1001,1501 (ADVANCED DESIGN BOILER)

DATE OF MANUFACTURE: 04-01-03 THRU CURRENT

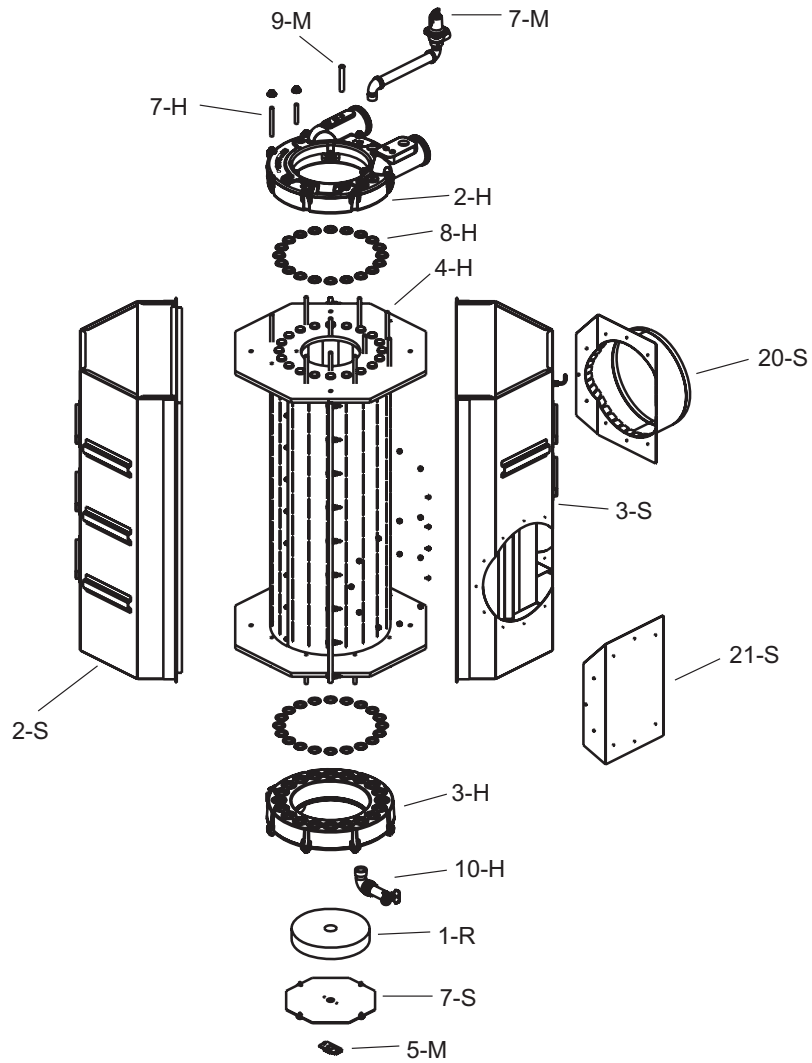
PARTS-COMMERCIAL



Reference
IPL 9300.72

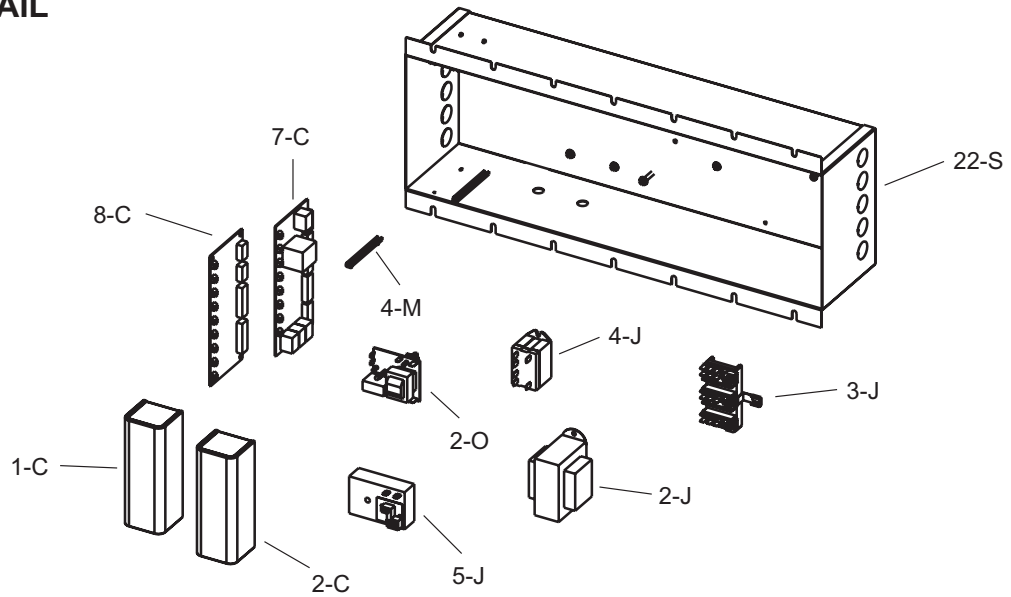
751,1001,1501 (ADVANCED DESIGN BOILER)

HEAT EXCHANGER DETAIL



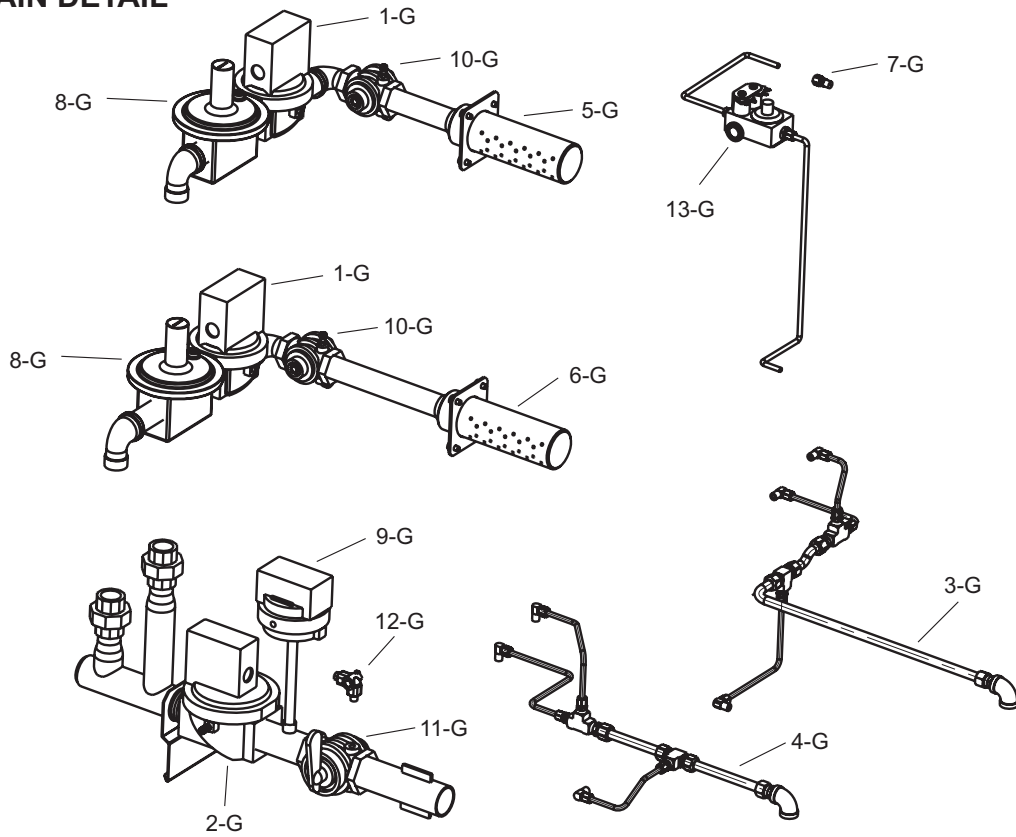
PARTS-COMMERCIAL

J-BOX DETAIL

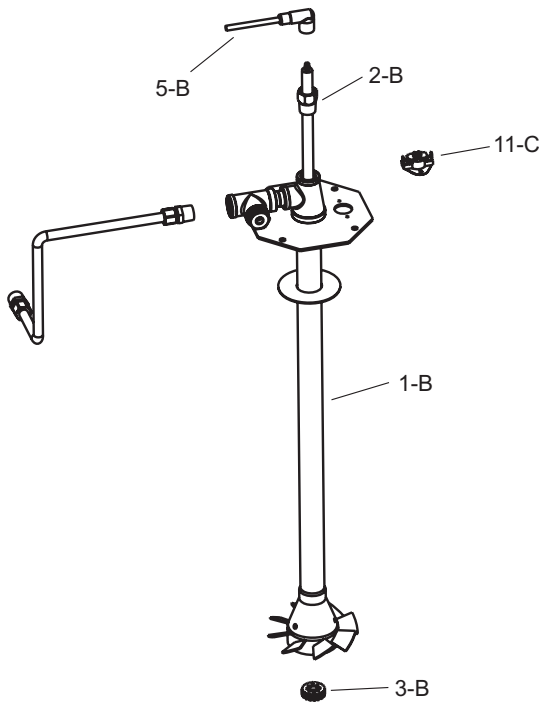


751,1001,1501 (ADVANCED DESIGN BOILER)

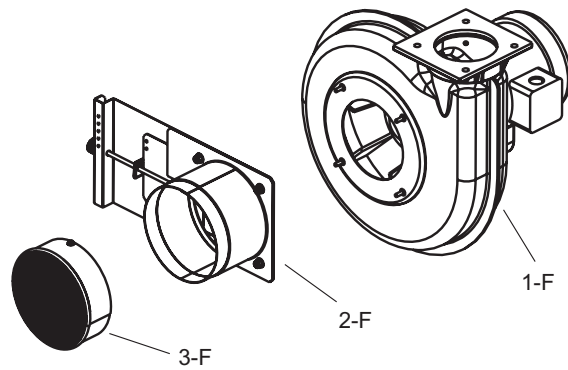
GAS TRAIN DETAIL



BURNER HEAD DETAIL



BLOWER DETAIL



751,1001,1501 (ADVANCED DESIGN BOILER)

CALL OUT	DESCRIPTION	751	1001	1501
B	BURNER ASSEMBLY			
1-B	Burner / Pilot Assembly IID Burner / Pilot Assembly C-2	008787F N/A	008787F N/A	007108F N/A
2-B	Ignitor-Spark Rod	007922F	007922F	007922F
3-B	Pilot Burner	007923F	007923F	007923F
4-B	Plenum Assembly Complete	008789F	008790F	007134F
5-B	High Tension Wire	009058F	009058F	009058F
C	CONTROLS			
1-C	Auto Reset High Limit 240 Auto Reset High Limit 200	007141F 006445F	007141F 006445F	007141F 006445F
2-C	Manual Reset High Limit 240 Manual Reset High Limit 200	007144F 008081F	007144F 008081F	007144F 008081F
3-C	Remote Aquastat (Tankstat) B-2 Remote Aquastat (Tankstat) 2-Stage B-3 Remote Aquastat (Tankstat) 2-Stage B-9	007148F 007392F 006760F	007148F 007392F 006760F	007148F 007392F 006760F
4-C	Controller 4-Stage B-10 Digital Controller 2-Stage B-11 Digital	006759F 007395F	006759F 007395F	006759F 007395F
5-C	Controller On/Off B-20	006445F	006445F	006445F
6-C	Flow Switch	007142F	007142F	007142F
7-C	Printed Circuit Board Central Point Wiring	007146F	007146F	007146F
8-C	Printed Circuit Board U2	007147F	007147F	007147F
9-C	Switch Pressure Vent Normally Closed	007158F	007158F	007158F
10-C	Switch Pressure Air Normally Open	007163F	007163F	007163F
11-C	Thermostat Manual Reset	006035F	006035F	006035F
J	CONTROLS			
1-J	Control Box Complete	009094F	009094F	009094F
2-J	Transformer 120/24 100 VA	007373F	007373F	007373F
3-J	Terminal Block w / Ground Lug	008523F	008523F	008523F
4-J	Relay DPST 24 VAC	007925F	007925F	007925F
5-J	Time Delay Contactor	008667F	008667F	008667F
6-J	Ignition Control IID	007156F	007156F	007156F
7-J	Switch-Rocker SPST 16A	006872F	006872F	006872F
F	FAN			
1-F	Blower Combustion Air	008793F	008793F	008793F
2-F	Air Shutter Assembly	007926F	007926F	009095F
3-F	Cap Intake Vent	007162F	007162F	007162F
G	GAS TRAIN			
1-G	Auto On/Off Valve 1" (V-88)	004093F	004093F	004093F
2-G	Auto On/Off Valve 1-1/2" (V-88)	004095F	004095F	004095F
3-G	Bleed Line Assembly	007927F	007927F	007927F
4-G	Vent Line Assembly	007928F	007928F	007928F
5-G	Manifold-Gas Injector Nat Upper Manifold-Gas Injector Pro Upper	008860F 007176F	007171F 007176F	007171F N/A
6-G	Manifold-Gas Injector Nat Lower Manifold-Gas Injector Pro Lower	008794F 008796F	008795F 008797F	007929F 007930F
7-G	Orifice Pilot Pro Orifice Pilot Nat	007180F 008826F	007180F 008826F	N/A 008826F
8-G	Regulator Gas 1" Nat Top Regulator Gas 1" Nat Bottom Regulator Gas 1" Pro	008869F 007932F 003570F	007932F 007932F 003570F	007932F 007932F N/A
9-G	Switch Low Gas Pressure	007187F	007187F	007187F
10-G	Valve Gas Manual A 1"	007189F	007189F	007189F
11-G	Valve Gas Manual A 1-1/2"	007933F	007933F	007933F
12-G	Valve Gas Manual B	007195F	007195F	007195F
13-G	Valve Pilot Gas Nat Valve Pilot Gas Pro	007196F 007197F	007196F 007197F	007196F N/A
14-G	Switch High Gas Pressure (optional) Not Shown	007188F	007188F	007188F
15-G	Gas Pressure Switch	008169F	008169F	008169F

751,1001,1501 (ADVANCED DESIGN BOILER)

PARTS-COMMERCIAL

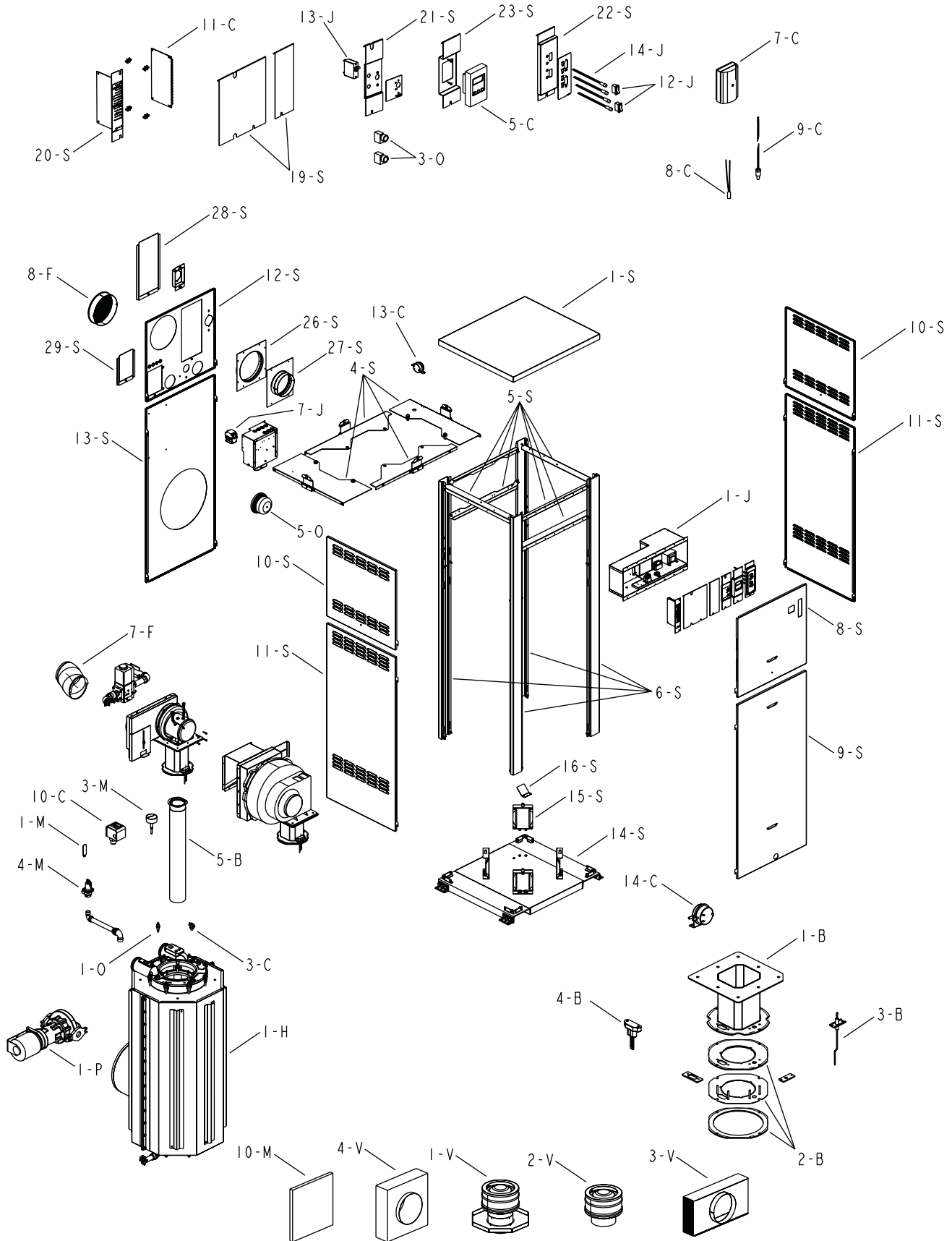
CALL OUT	DESCRIPTION	751	1001	1501
H	HEAT EXCHANGER			
1-H	Heat Exchange Assy. Cupro-Nickel (Bronze Header) (Includes 18	009096F	009097F	009098F
	Heat Exchange Assy. Copper (Bronze Header) (Includes 18-S)	009099F	009100F	009101F
2-H	Inlet/Outlet Header Bronze	009102F	009103F	009103F
3-H	Return Header Bronze	007204F	007204F	007204F
4-H	Tube Bundle Cupro-Nickel (Use 1-H)	N/A	N/A	N/A
	Tube Bundle Copper (Use 1-H)	N/A	N/A	N/A
5-H	Flue Baffle	N/A	N/A	N/A
6-H	Heat Shield Baffle (2 pcs)	N/A	N/A	N/A
7-H	Studbolt	009104F	009104F	009104F
8-H	Header Gasket (20 PCS)	007343F	007343F	007343F
9-H	Well-Bulb Sensor 1/2"x 3-5/16"	007211F	007211F	007211F
10-H	Drain Valve	006536F	006536F	006536F
M	MISCELLANEOUS COMPONENTS			
1-M	Flow Swich Paddle	004079F	004079F	004079F
2-M	In Line Fuse Holder (Not Shown)	007216F	007216F	007216F
3-M	Fuse 15 amp (Not Shown)	007936F	007936F	007936F
4-M	Guide PC Card	007143F	007143F	007143F
5-M	Window Combustion Chamber	006947F	006947F	006947F
6-M	T & P Gauge 0-75 PSI Remote Mount	007344F	007344F	007344F
	T & P Gauge 0-200 PSI Remote Mount	007345F	007345F	007345F
7-M	PRV 30 PSI	007218F	007219F	007748F
	PRV 45 PSI	007346F	007221F	007751F
	PRV 60 PSI	007222F	007222F	007753F
	PRV 75 PSI	007223F	007223F	007156F
	PRV 125 PSI	011912F	007224F	007224F
	PRV 150 PSI	007225F	007225F	007225F
8-M	RTV Sealant 2.8 oz	008924F	008924F	008924F
	RTV Sealant 10 oz	005755F	005755F	005755F
9-M	Touch up Paint (Green)	750125	750125	750125
	Touch up Paint (Dark Gray)	750126	750126	750126
O	OPTIONS			
1-O	Remote Sensor for Low Water Cut-Off	007228F	007228F	007228F
2-O	Low Water Cut Off PC Board	007157F	007157F	007157F
3-O	Test / Reset Switch	005641F	005641F	005641F
P	PUMPS			
1-P	Pump -Circulating - Bronze (Soft Water)	007226F	007227F	007351F
	Pump -Circulating - Bronze (Medium Water)	007347F	007348F	007937F
	Pump -Circulating - Bronze (Hard Water)	007350F	007351F	007937F
	Pump -Circulating - CI (Soft Water)	007232F	007233F	007357F
	Pump -Circulating- CI (Medium Water)	007353F	007354F	007938F
	Pump -Circulating- CI (Hard Water)	007356F	007357F	007938F
R	REFRACTORY			
1-R	Blanket Return Header Refractory	007241F	007241F	007241F

751,1001,1501 (ADVANCED DESIGN BOILER)

CALL OUT	DESCRIPTION	751	1001	1501
S	SHEETMETAL			
1-S	Jacket Top	009106F	009106F	009106F
2-S	Flue Collector Front (No opening)	007245F	007246F	007247F
3-S	Flue Collector Rear (opening)	008802F	008803F	007252F
4-S	Heat Transfer Supports	009107F	009107F	009107F
5-S	Upper Cabinet Supports	009108F	009108F	009108F
6-S	Vertical Cabinet Supports	009109F	009110F	009111F
7-S	Return Header Cover	007257F	007257F	007257F
8-S	Jacket Upper Front Panel	009112F	009112F	009112F
9-S	Jacket Lower Front Panel	009113F	009114F	009115F
10-S	Jacket Upper Side Panel	009116F	009116F	009116F
11-S	Jacket Lower Side Panel	009117F	009118F	009119F
12-S	Jacket Upper Right Side Panel Connection Optional	009120F	009120F	009120F
13-S	Jacket Lower Right Side Panel Connection Optional	009121F	009122F	009123F
14-S	Jacket Upper Rear Panel	009124F	009124F	009124F
15-S	Jacket Lower Rear Panel	009125F	009126F	009127F
16-S	Jacket Upper Rear Panel Connection Optional	009128F	009128F	009128F
17-S	Base Assembly	009129F	009129F	009129F
18-S	Leg Bracket (4 pcs per boiler)	007306F	007306F	007306F
19-S	Base Reflector Panel	007307F	007307F	007307F
20-S	Flue Exhaust Flange Assembly	008816F	008817F	007308F
21-S	Flue Exhaust Cover	008818F	008819F	007313F
22-S	Control Box Assy	009130F	009130F	009130F
23-S	Control Box Cover	009131F	009131F	009131F
24-S	Power/Pump Switch Mounting Panel	009132F	009132F	009132F
25-S	Control Box Inner Panel	009105F	009105F	009105F
26-S	Bracket Pressure Switch MTG	007161F	007161F	007161F
27-S	Valve Pilot Mounting Bracket (Not shown)	007198F	007198F	007198F
28-S	Intake Air Cover Panel	007315F	007315F	007315F

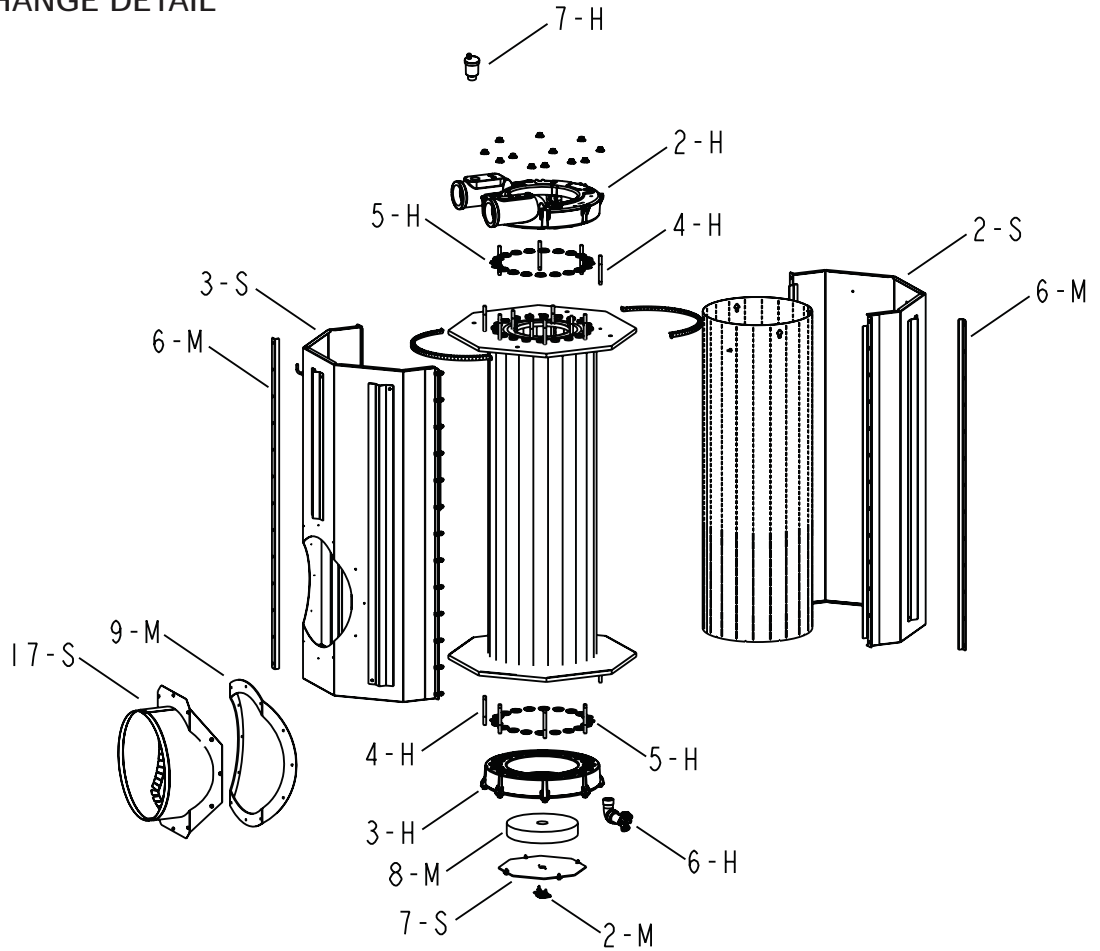
504,754,1104,2004 MVB

DATE OF MANUFACTURE: 07-01-07 THRU CURRENT

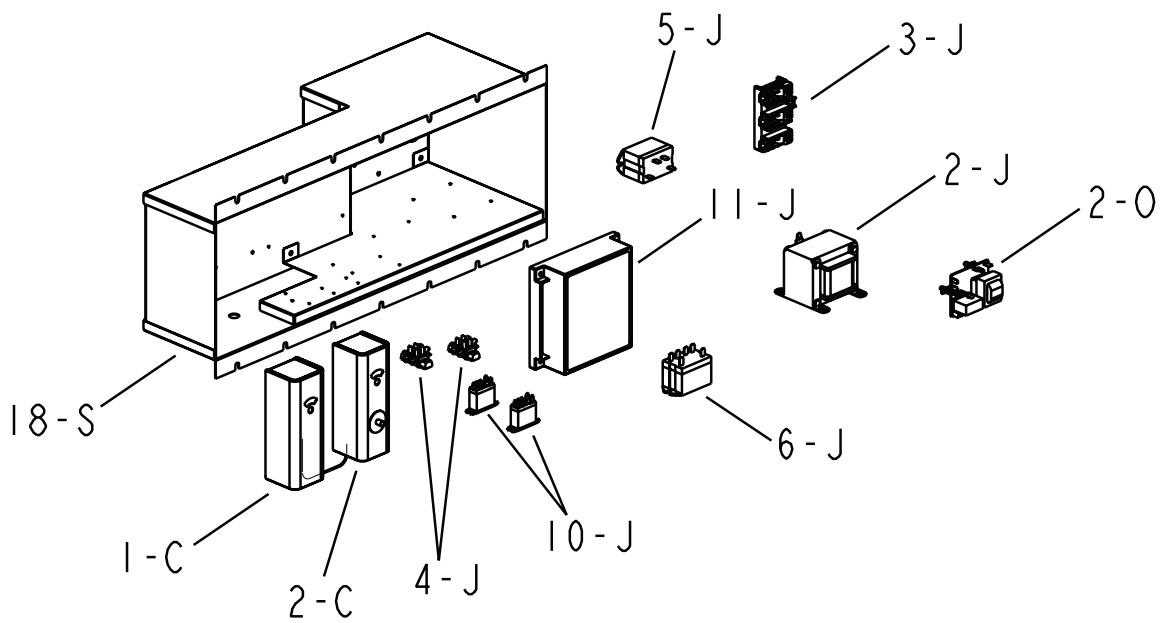


PARTS-COMMERCIAL

HEAT EXCHANGE DETAIL



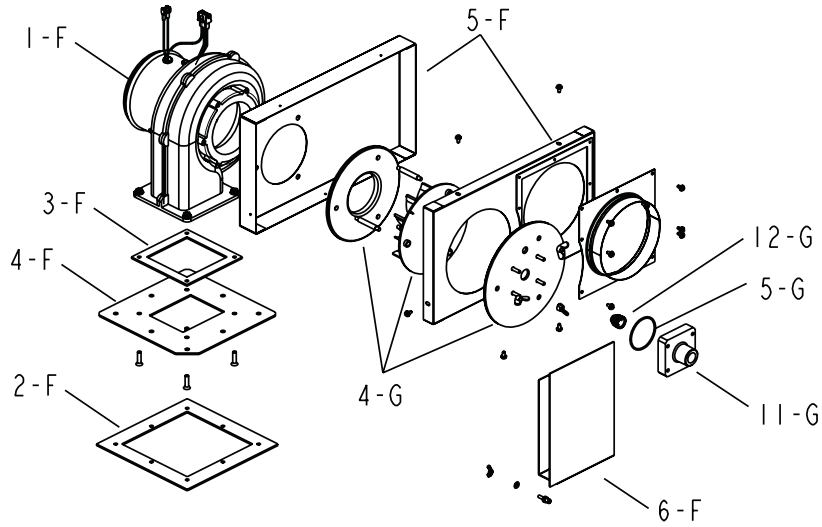
J-BOX DETAIL



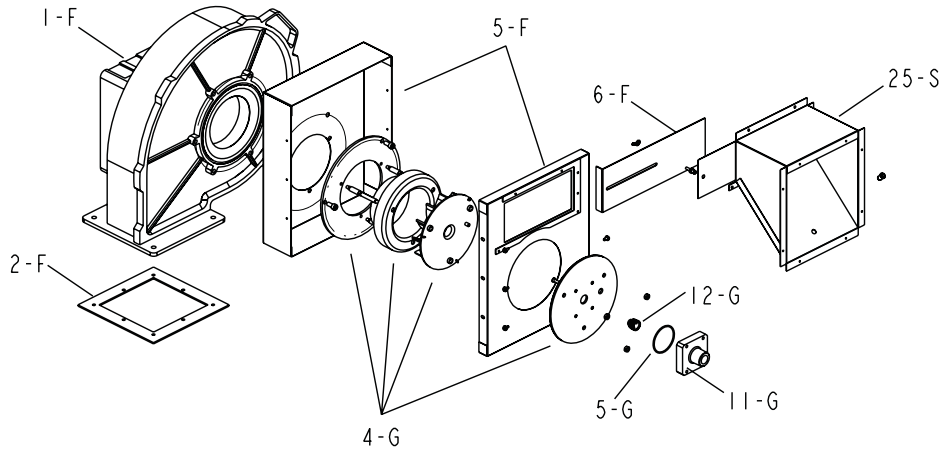
PARTS-COMMERCIAL

504,754,1104,2004 MVB

BLOWER DETAIL MODELS 504-1504

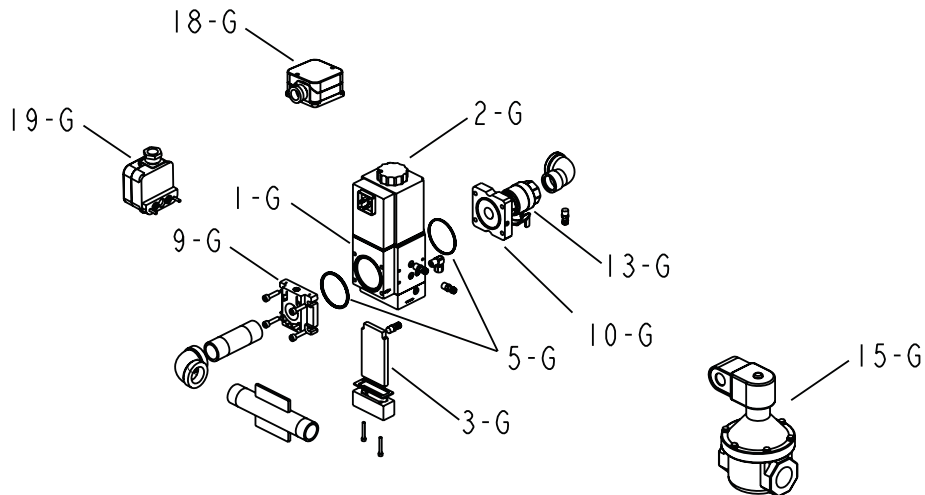


BLOWER DETAIL MODEL 2004



PARTS-COMMERCIAL

GAS TRAIN DETAIL



504,754,1104,2004 MVB

CALL OUT	DESCRIPTION	504	754	1104	1504	2004
B BURNER ASSEMBLY						
1-B	Adapter Assembly	011749F	011749F	011749F	011749F	011750F
2-B	Adapter Gaskets and Heat Sheild	011751F	011751F	011751F	011751F	011751F
3-B	Flame Sensor Probe	011752F	011752F	011752F	011752F	011752F
4-B	Igniter	007400F	007400F	007400F	007400F	007400F
5-B	Burner	011753F	011754F	011754F	011755F	011756F
C CONTROLS						
1-C	Auto Reset High Limit 240F	011860F	011860F	011860F	011860F	011860F
	Auto Reset High Limit 180F	006445F	006445F	006445F	006445F	006445F
	Auto Reset High Limit 140F Pool	006445F	006445F	006445F	006445F	006445F
2-C	Manual Reset High Limit 240F	007144F	007144F	007144F	007144F	007144F
	Manual Reset High Limit 200F	008081F	008081F	008081F	008081F	008081F
	Manual Hi Limit 40-180F Max Pool	009554F	009554F	009554F	009554F	009554F
3-C	Manual Reset Fixed 240F	008520F	008520F	008520F	008520F	008520F
	Manual Reset Fixed 200F	008093F	008093F	008093F	008093F	008093F
	Manual Reset Fixed 175F	600952B	600952B	600952B	600952B	600952B
4-C	Remote Aquastat (Tankstat) 2-Stage B-3 (Not Shown)	007392F	007392F	007392F	007392F	007392F
5-C	Controller Modulating (Tekmar) H7 MIN 70%	012251F	012251F	012251F	012251F	012251F
	Controller On/Off (Tekmar) WH1	012252F	012252F	012252F	012252F	012252F
	Controller On/Off (Tekmar) P, WHP	012253F	012253F	012253F	012253F	012253F
6-C	Controller 4-Stage B-21 Digital Optional (Not Shown)	009862F	009862F	009862F	009862F	009862F
	Controller 2-Stage B-26 Digital Optional (Not Shown)	009861F	009861F	009861F	009861F	009861F
7-C	Sensor Outdoor Air B-23	010786F	010786F	010786F	010786F	010786F
8-C	Sensor Water B-21 thru B-26	010787F	010787F	010787F	010787F	010787F
9-C	Sensor Water screw-In (Tekmar)	011861F	011861F	011861F	011861F	011861F
15-C	Sensor Water (Temp Tracker) B-36 thru B-38	012187F	012187F	012187F	012187F	012187F
10-C	Flow Switch	007142F	007142F	007142F	007142F	007142F
11-C	Printed Circuit Board UDB (Diagnostic)	011758F	011758F	011758F	011758F	011758F
13-C	Air Vent Pressure Switch	007158F	007158F	007158F	007158F	007158F
14-C	Air Intake Pressure Switch	011761F	011761F	011761F	011761F	011761F
J CONTROL BOX						
1-J	Control Box Complete	N/A	N/A	N/A	N/A	N/A
2-J	Transformer 120/24	011762F	011762F	011762F	011762F	011762F
3-J	Terminal Block w / Ground Lug	008523F	008523F	008523F	008523F	008523F
4-J	Terminal Block 2 Space	011763F	011763F	011763F	011763F	011763F
5-J	Blower Relay 120 VAC	008977F	008977F	008977F	008977F	N/A
6-J	Pump Relay 24 VAC	007925F	007925F	007925F	007925F	007925F
7-J	Pump Contactor 120 VAC (Over 3/4 HP Pumps)	007906F	007906F	007906F	007906F	007906F
	Blower Contactor 120 VAC	N/A	N/A	N/A	N/A	007906F
10-J	Relay 24 VAC (Alarm)	009039F	009039F	009039F	009039F	009039F
11-J	Ignition Control HSI Single Try	009057F	009057F	009057F	009057F	009057F
	Ignition Control HSI Three Try	007374F	007374F	007374F	007374F	007374F
12-J	Rocker Switch (Burner / Pump)	006872F	006872F	006872F	006872F	006872F
13-J	On / Off Shut Down Switch	007380F	007380F	007380F	007380F	007380F
14-J	Indicator Lamp	011848F	011848F	011848F	011848F	011848F
F FAN						
1-F	Blower Combustion Air	012442F	012443F	012445F	012446F	011765F
2-F	Blower Gasket	011885F	011885F	011885F	011885F	011885F
3-F	Adapter Gasket	011886F	011886F	011886F	011886F	N/A
4-F	Adapter Plate	011887F	011887F	011887F	011887F	N/A
5-F	Plenum Assembly	011863F	011863F	011863F	011863F	011864F
6-F	Air Shutter	011875F	011875F	011875F	011875F	011876F
7-F	Hose Duct 6"	007420F	007420F	007420F	007420F	N/A
8-F	Screen Intake Vent Cap	007162F	007162F	007162F	011865F	011865F
G GAS TRAIN						
1-G	Valve Gas Modulating (Dungs) Natural Gas	011766F	011766F	011766F	011766F	011768F
	Valve Gas Modulating (Dungs) Propane Gas	011766F	011766F	011766F	011766F	011766F
2-G	Valve Coil Nat	012310F	012310F	012310F	012310F	012311F
	Valve Coil Pro	012310F	012310F	012310F	012310F	012310F
3-G	Inlet Gas Filter	012294F	012294F	012294F	012294F	012295F
4-G	Swirlor	011888F	011888F	011888F	011888F	011889F
5-G	O Rings (Includes Gas Valve and Adapter O Rings)	012440F	012440F	012440F	012440F	012441F
9-G	Adapter Gas Valve 1" Inlet (Includes O Rings)	011915F	011915F	011915F	011915F	011915F
	Adapter Gas Valve 1-1/4" Inlet (Includes O Rings)	N/A	N/A	011916F	011916F	N/A
	Adapter Gas Valve 2" Inlet (Includes O Rings)	N/A	N/A	N/A	N/A	011917F
10-G	Adapter Gas Valve Outlet (Includes Venturi & O Ring)	012296F	012296F	012296F	012296F	012297F
11-G	Adapter Swirl Plate	012298F	012298F	012298F	012298F	012298F
12-G	Nozzle Natural Gas	012299F	012300F	012301F	012303F	012305F
	Nozzle Propane Gas	012306F	012307F	012308F	012308F	012301F
13-G	Valve Gas Ball (WOG)	011769F	011769F	011769F	011769F	011769F
14-G	Motorized Safety Shut Off Valve (Optional)	011908F	011908F	011908F	011908F	011908F
15-G	Solenoid Safety Shut Off Valve Nat (Optional)	011909F	011909F	011910F	011910F	011911F
	Solenoid Safety Shut Off Valve Pro (Optional)	011909F	011909F	011909F	011909F	011909F
17-G	Vent Valve Gas Nat (Optional) Not Shown	011913F	011913F	011914F	011914F	011914F
	Vent Valve Gas Pro (Optional) Not Shown	011913F	011913F	011913F	011913F	011913F
18-G	Switch Low Gas Pressure (Optional)	011770F	011770F	011770F	011770F	011770F
19-G	Switch High Gas Pressure (Optional)	011771F	011771F	011771F	011771F	011771F

PARTS-COMMERCIAL

CALL OUT	DESCRIPTION	504	754	1104	1504	2004
H HEAT EXCHANGER						
1-H	Heat Transfer Cupro-Nickle Bronze (Includes 15-S)	012254F	012255F	012256F	012257F	012258F
	Heat Transfer Copper Bronze (Includes 15-S)	012259F	012260F	012261F	012262F	012263F
2-H	Inlet/Outlet Header Bronze	009102F	009102F	009103F	009103F	009103F
3-H	Return Header Bronze	007204F	007204F	007204F	007204F	007204F
4-H	Studbolt	009104F	009104F	009104F	009104F	009104F
5-H	Header Gasket (20 PCS)	007343F	007343F	007343F	007343F	007343F
6-H	Drain Valve	006536F	006536F	006536F	006536F	006536F
7-H	Air Vent Valve	011866F	011866F	011866F	011866F	011866F
M MISCELLANEOUS COMPONENTS						
1-M	Flow Switch Paddle (Taco)	010026F	010026F	010026F	010026F	010026F
2-M	Window Combustion Chamber	006947F	006947F	006947F	006947F	006947F
3-M	T & P Guage 0-75 PSI	007205F	007205F	007205F	007205F	007205F
	T & P Guage 0-200 PSI	007399F	007399F	007399F	007399F	007399F
4-M	PRV 30 PSI	007217F	007218F	007219F	007748F	007748F
	PRV 45 PSI	007220F	007346F	007221F	007751F	007751F
	PRV 60 PSI	007222F	007222F	007222F	007753F	007754F
	PRV 75 PSI	007223F	007223F	007223F	007223F	007756F
	PRV 125 PSI	011912F	011912F	007224F	007224F	007758F
	PRV 150 PSI	007225F	007225F	007225F	007225F	007225F
5-M	RTV Sealant 2.8 oz (Not Shown)	008924F	008924F	008924F	008924F	008924F
	RTV Sealant 10 oz (Not Shown)	005755F	005755F	005755F	005755F	005755F
6-M	Flue Collector Vertical Seal Gasket	011772F	011772F	011772F	011772F	011772F
8-M	Insulation Blanket Return Header	007241F	007241F	007241F	007241F	007241F
9-M	Flue Exhaust Adapter Gasket	009736F	012264F	012264F	012265F	012266F
10-M	Inline Intake Air Filter	008402F	008402F	008402F	011897F	011897F
11-M	Touch up Paint (Green) Not Shown	750125	750125	750125	750125	750125
	Touch up Paint (Dark Gray) Not Shown	750126	750126	750126	750126	750126
O OPTIONS						
1-O	Remote Sensor (LWCO)	007228F	007228F	007228F	007228F	007228F
2-O	Control PC Board (LWCO)	007157F	007157F	007157F	007157F	007157F
3-O	Test / Reset Switch (LWCO)	005641F	005641F	005641F	005641F	005641F
4-O	Silencer/Reset Switch (Alarm)	005641F	005641F	005641F	005641F	005641F
5-O	Alarm Bell 3"	005642F	005642F	005642F	005642F	005642F
	Alarm Bell 4"	005643F	005643F	005643F	005643F	005643F
6-O	Time Delay Contactor 5 Second (Alarm / Dry contacts)	008921F	008921F	008921F	008921F	008921F
7-O	Relay SPDT 24 VAC (Alarm / Dry Contact)	009039F	009039F	009039F	009039F	009039F
8-O	Relay DPDT 24 VAC (Alarm)	011720F	011720F	011720F	011720F	011720F
P PUMPS						
1-P	Pump -Circulating - Bronze (Soft Water)	007226F	007226F	007227F	011845F	007351F
	Pump -Circulating - Bronze (Medium Water)	007226F	007347F	011845F	007351F	007937F
	Pump -Circulating - Bronze (Hard Water)	007349F	007349F	007351F	007351F	007937F
	Pump -Circulating - CI (Soft Water)	007232F	007232F	007233F	011846F	007357F
	Pump -Circulating- CI (Medium Water)	007232F	007353F	011846F	007357F	007938F
	Pump -Circulating- CI (Hard Water)	007355F	007355F	007357F	007357F	007938F
	Pump -Circulating - Bronze (Pool Heaters and CWR)	007226F	007226F	011845F	007351F	007937F
S SHEETMETAL						
1-S	Jacket Top	011833F	011833F	011833F	011833F	011833F
2-S	Flue Collector Front (No Opening) (Includes 6-M)	012267F	012268F	012269F	012270F	012271F
3-S	Flue Collector Rear (Opening) (Includes 6-M)	012272F	012273F	012274F	012275F	012276F
4-S	Heat Transfer Supports	009107F	009107F	009107F	009107F	009107F
5-S	Upper Cabinet Supports	011849F	011849F	011849F	011849F	011849F
6-S	Vertical Cabinet Supports	011801F	011802F	011803F	011804F	011806F
7-S	Return Header Cover	007257F	007257F	007257F	007257F	007257F
8-S	Jacket Upper Front Panel	011808F	011808F	011808F	011808F	011809F
9-S	Jacket Lower Front Panel	011810F	011811F	011812F	011813F	011815F
10-S	Jacket Upper Side Panel	011817F	011817F	011817F	011817F	011818F
11-S	Jacket Lower Side Panel	011819F	011820F	011821F	011822F	011824F
12-S	Jacket Upper Rear Panel	011877F	011877F	011878F	011879F	011880F
13-S	Jacket Lower Rear Panel	012277F	012278F	012279F	012280F	012281F
14-S	Base Assembly	009129F	009129F	009129F	009129F	009129F
15-S	Leg Bracket (4 pcs per boiler)	007306F	007306F	007306F	007306F	007306F
16-S	Base Reflector Panel	007307F	007307F	007307F	007307F	007307F
17-S	Flue Exhaust Adapter Assembly	011901F	012282F	012282F	012283F	012284F
18-S	Control Box Assy	011869F	011869F	011869F	011869F	011869F
19-S	Control Box Cover Panel	011870F	011870F	011870F	011870F	011870F
20-S	Control Box Cover Panel w/Lights	011871F	011871F	011871F	011871F	011871F
21-S	Power Switch Mounting Panel	011872F	011872F	011872F	011872F	011872F
22-S	Blower/Pump Switch Mounting Panel	011873F	011873F	011873F	011873F	011873F
23-S	Controller Mounting Panel	011874F	011874F	011874F	011874F	011874F
25-S	Intake Air Adapter	N/A	N/A	N/A	N/A	011881F
26-S	Intake Air Collar (Outside)	011898F	011898F	011898F	011899F	011882F
27-S	Intake Air Collar (Inside)	011905F	011905F	011905F	011905F	N/A
28-S	Access Panel	011883F	011883F	011883F	011883F	011884F
29-S	Access Panel Wiring Box	011906F	011906F	011906F	011906F	011906F
V VENTING						
1-V	Outdoor Stack	011895	011894	011894	011895	011895
2-V	Vent Cap Vertical for Indoor Units	010803	010804	010804	010805	010806
3-V	Vent Cap Horizontal Thru-the-Wall for Indoor Units	006646	006650	006650	007001	007002
4-V	Inline Air filter (Complete)	006926	006926	006926	006927	006927