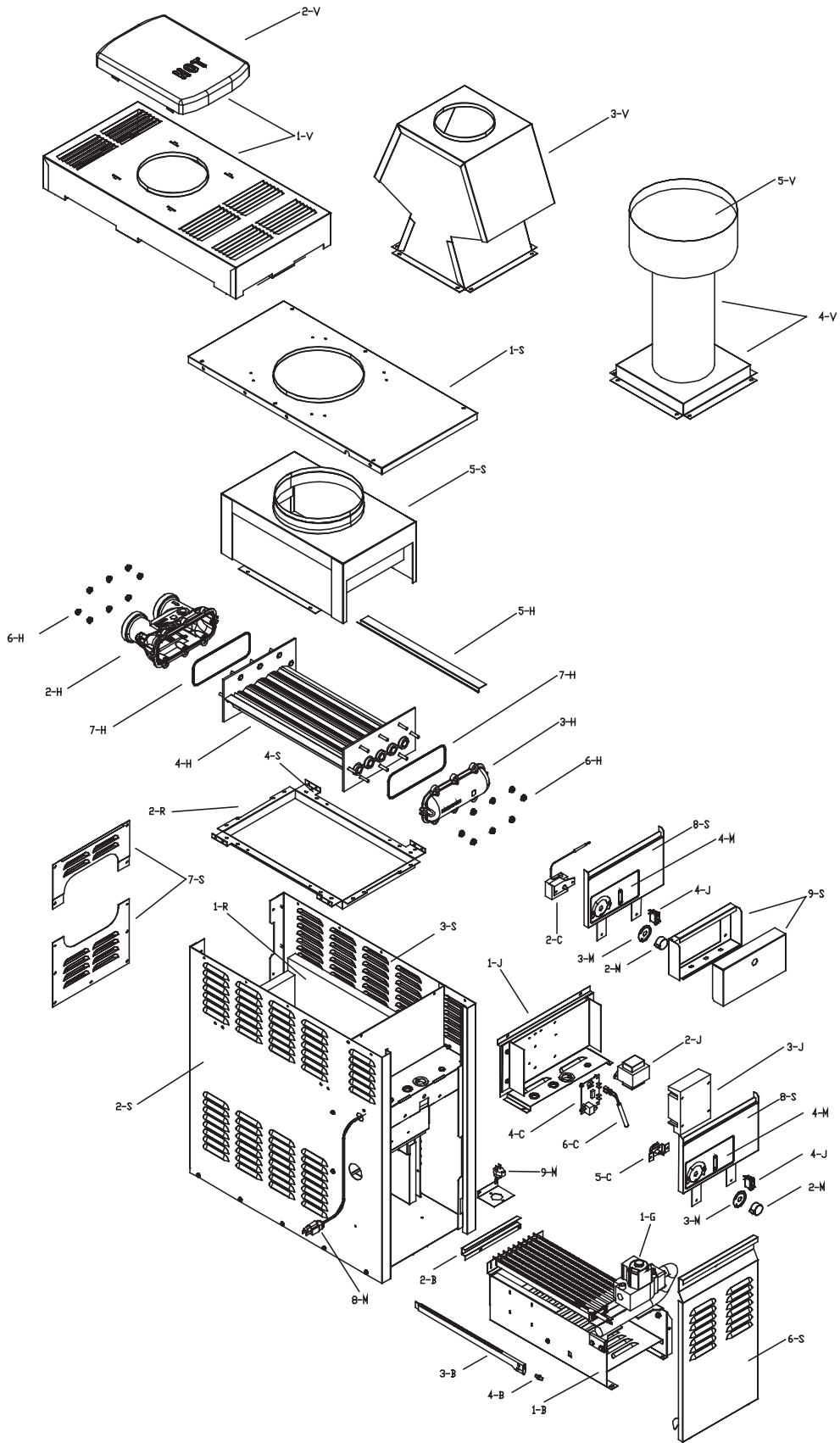
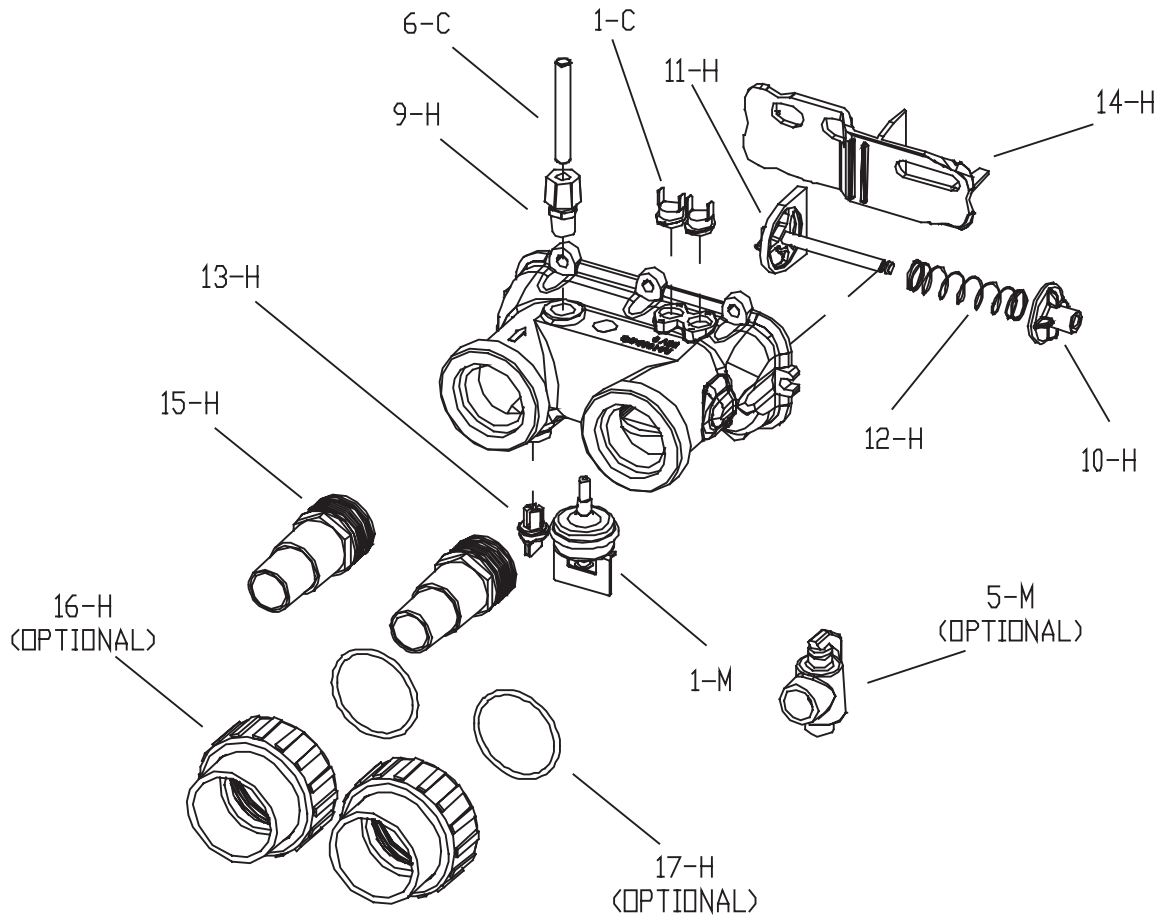
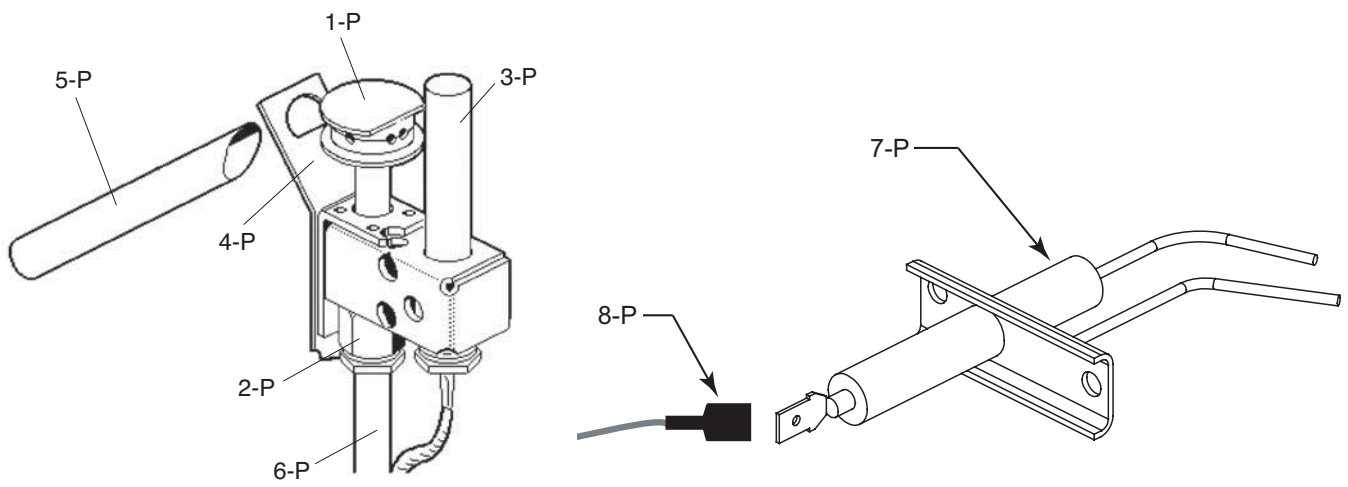


DATE OF MANUFACTURE: 10-30-05 THRU CURRENT





PARTS - RESIDENTIAL



HONEYWELL MILLIVOLT PILOT

CALL OUT	DESCRIPTION	Plastic Green	Plastic Gray
B	BURNER TRAY		
1-B	Burner Tray w/Burners (Sea Level)*	011578F	011578F
	Burner Tray w/o Burners (Sea Level)*	011579F	011579F
	Burner Tray w/Gas Valve Natural MV	011580F	011580F
	Burner Tray w/Gas Valve Propane MV	011581F	011581F
	Burner Tray w/Gas Valve Natural DSI	011582F	011582F
	Burner Tray w/Gas Valve Propane DSI	011583F	011583F
2-B	Burner Hold Down Kit	011584F	011584F
3-B	Burner	301210/10	301210/10
4-B	Burner Orifice Nat. #51 (Sea Level)*	350080F/10	350080F/10
	Burner Orifice Pro. #59 (Sea Level)*	350350F/10	350350F/10
C	CONTROLS		
1-C	Thermostat Auto Reset 135° Surface Mount	006725F	006725F
2-C	Thermostat Control MV (Mechanical)	003346F	003346F
3-C	Thermostat Control DSI (Solid State)	011585F	011585F
4-C	PC Board	005086B	005086B
5-C	Potentiometer	011586F	011586F
6-C	Temperature Sensor	011587F	011587F
G	GAS VALVE		
1-G	Combination Valve Nat. MV	011588F	011588F
	Combination Valve Pro. MV	011589F	011589F
	Combination Valve Nat. DSI	011590F	011590F
	Combination Valve Pro. DSI	011591F	011591F
H	HEAT EXCHANGER		
1-H	Heat Exchange Assy Copper	011592F	011592F
	Heat Exchange Assy Cupro Nickel	011593F	011593F
2-H	Inlet/Outlet Header Complete	011594F	011594F
	Inlet/Outlet Header (Includes 6-H)	011595F	011595F
3-H	Return Header (Includes 6-H)	011596F	011596F
4-H	Tube Bundle Copper **	011597F	011597F
	Tube Bundle Cupro Nickel **	011598F	011598F
5-H	Baffle	011599F	011599F
6-H	Flange Nut Kit	008259F	008259F
7-H	O Ring Gasket (2)	011600F	011600F
8-H	Sensor Adapter DSI	006714F	006714F
	Sensor Well Millivolt	006805F	006805F
9-H	Bypass Kit	011601F	011601F
10-H	Bypass Valve	006716F	006716F
11-H	Bypass Dam / Shaft	006717F	006717F
12-H	Bypass Spring	011602F	011602F
13-H	Drain Plug	006721F	006721F
14-H	Inlet/Outlet Header Dam	011603F	011603F
15-H	Hose Adapter 1-1/2" MPT x 1-1/2" Hose	011635	011635
16-H	2" PVC Connector & Nut (2) Optional	006723F	006723F
17-H	O Ring (2) Optional	006724F	006724F
J	CONTROL BOX		
1-J	Control Box DSI (Includes 3-C)	011604F	011604F
2-J	Transformer 120/240/24V	011605F	011605F
3-J	Ignition Control Direct Spark	011606F	011606F
4-J	Rocker Switch	009493F	009493F

*FOR ALTITUDES ABOVE 2,000 FEET ABOVE SEA LEVEL, CONSULT THE FACTORY.

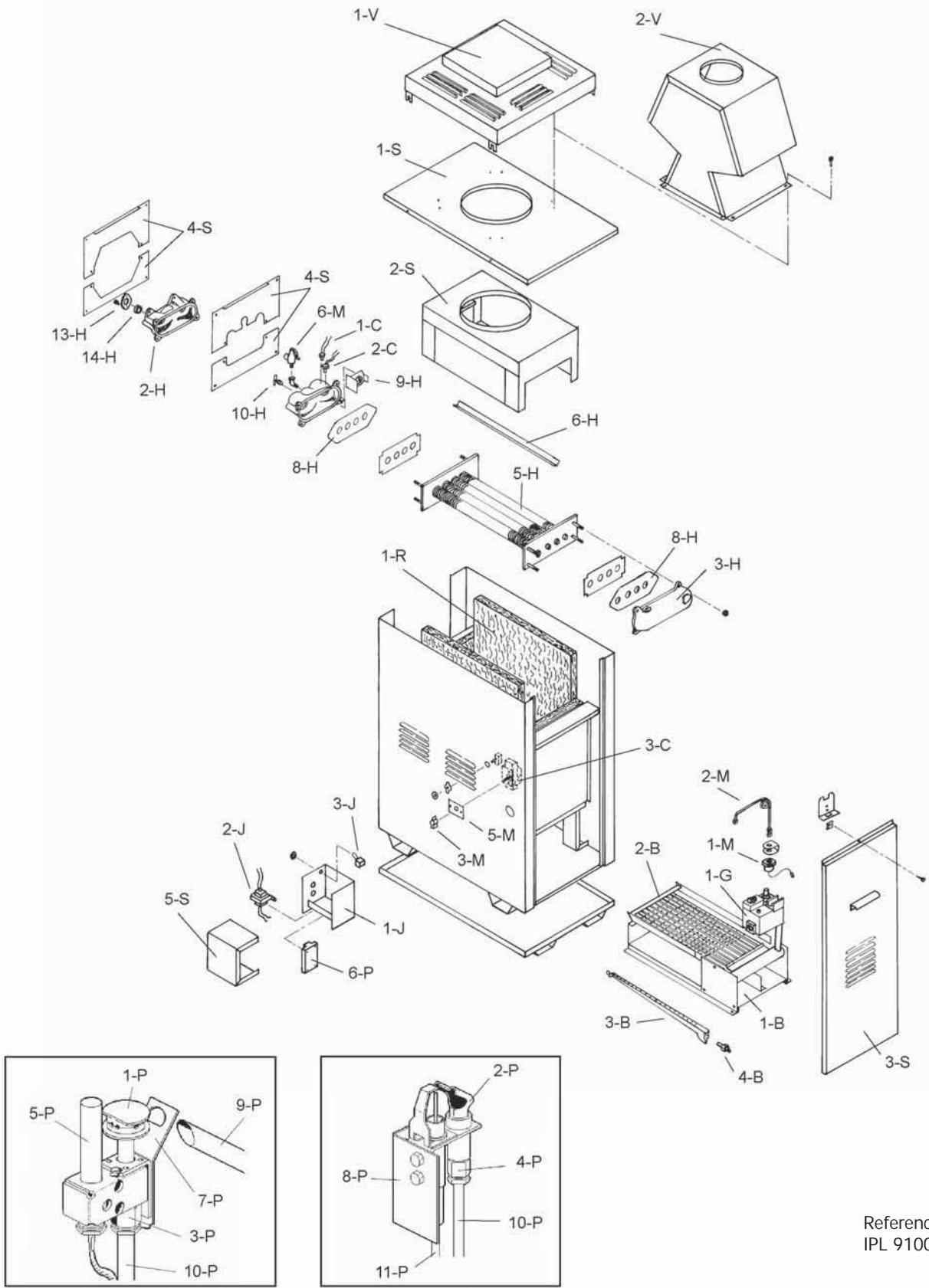
** **WARNING:** The Hydraulic conditions or water chemistry that caused the tube bundle to fail have very likely also damaged the bypass valve. We recommend you inspect the bypass assembly. Failure to do so could cause premature failure of this replacement part.

CALL OUT	DESCRIPTION	Plastic Green	Plastic Gray
M	MISCELLANEOUS COMPONENTS		
1-M	Pressure Switch 1.75 PSI	006737F	006737F
	Pressure Switch 11 PSI Special-See Adj in Service Manual	009133F	009133F
2-M	Thermostat Knob	009499F	009499F
3-M	Knob Stop	006886F	006886F
4-M	Dial Plate	901768	901769
5-M	PRV 125 PSI (Optional)	008091F	008091F
6-M	Delimiting Kit (not shown)	052871F	052871F
7-M	Wire Harness MV (not shown)	011607F	011607F
	Wire Harness DSI(not shown)	011608F	011608F
8-M	Line Cord	011609F	011609F
9-M	Thermal Fuse	005899F	005899F
10-M	Touch-up Paint (Green)	750125	
	Touch-up Paint (Dark Gray)		750126
P	PILOT		
1-P	Pilot Nat. MV	600525B	600525B
	Pilot Pro. MV	600575B	600575B
2-P	Pilot Orifice Nat. MV	003901F	003901F
	Pilot Orifice Pro. MV	003902F	003902F
3-P	Pilot Generator MV	600019B	600019B
4-P	Pilot Mounting Bracket MV	011610F	011610F
5-P	Lighter Tube MV	052797	052797
6-P	Pilot Tube MV	004078F	004078F
7-P	Ignitor DSI	011611F	011611F
8-P	Hi Tension Wire DSI	011612F	011612F
R	REFRACTORY		
1-R	Refractory Kit	011613F	011613F
2-R	Refractory Retainer Kit	011614F	011614F
S	SHEETMETAL		
1-S	Jacket Top	011615F	011616F
2-S	Jacket Left	011617F	011618F
3-S	Jacket Right	011619F	011620F
4-S	Jacket Rear	011621F	011622F
5-S	Flue Collector	011623F	011623F
6-S	Door Assy.	011624F	011625F
7-S	Access Panels	011626F	011627F
8-S	Control Panel	011628F	011629F
9-S	Poolstat Control Cover	006492	006492
V	VENTING		
1-V	Stackless Top (Outdoor)	011630F	011631F
2-V	"Pagoda" Top	010334	011632
3-V	Drafthood (Indoor)	003723	003723
4-V	Outdoor Stack w/Adapter (Outdoor)	004301	011558
5-V	Outdoor Stack	N/A	N/A

CONVERSION KITS**	
GAS CONVERSIONS	
Natural to Propane MV	011633F
Propane to Natural MV	011634F
Natural to Propane DSI	N/A
Propane to Natural DSI	N/A

** Gas conversions are to be done only by a qualified agency.

DATE OF MANUFACTURE: 1974 THRU 12-01-81
 ELECTRONIC IGNITION: 11-01-80 THRU 12-01-81



Reference
 IPL 9100.25

CALL OUT	DESCRIPTION	CAL III CAST IRON	SPA PAK BRASS
B	BURNER TRAY		
1-B	Burner Tray w/Burners (Sea Level)*	N/A	N/A
	Burner Tray w/o Burners (Sea Level)*	N/A	N/A
2-B	Burner Hold Down Kit	001991F	001991F
3-B	Burner	301210/10	301210/10
4-B	Burner Orifice Nat. #51 (Sea Level)*	350080F/10	350080F/10
	Burner Orifice Pro. #57 (Sea Level)*	350083F/10	350083F/10
C	CONTROLS		
1-C	High Limit 135°F	600892B	600892B
2-C	High Limit 140°F	600893B	600893B
3-C	Thermostat Control	003346F	003346F
G	GAS VALVE		
1-G	Combination Valve 1/2" Nat.	003898F	003898F
	Combination Valve 1/2" Pro.	003899F	003899F
	Combination Valve 1/2" Nat. IID	003900F	003900F
H	HEAT EXCHANGER		
1-H	Heat Exchanger Assy. (Complete)	N/A	N/A
2-H	Inlet/Outlet Header	N/A	N/A
3-H	Return Header	002437F	N/A
4-H	Tube Bundle	002439F	002439F
5-H	Heat Exchanger Tube	002440F	002440F
6-H	Baffle Kit	004055F	004055F
7-H	Bolt Kit	001056F	001056F
8-H	Header Gasket	800075B	800075B
9-H	Unitherm Governor	053242B	053242B
10-H	Drain Valve	500719	500719
11-H	Sensor Well	007211F	007211F
12-H	Well Retaining Clip	300203	300203
13-H	Inlet/Outlet Flange		004056F
14-H	Flange Gasket		800013B
J	J-BOX		
1-J	J-Box (IID Units) Complete	N/A	N/A
2-J	Transformer 120/240/24V	006736F	006736F
3-J	Toggle Switch	650761	650761
M	MISCELLANEOUS COMPONENTS		
1-M	Pressure Switch	062237B	062237B
2-M	Pressure Switch Tube Assy.	003271F	003271F
3-M	Thermostat Knob		
4-M	Knob Stop		
5-M	Dial Plate		
6-M	PRV 125 PSI	008091F	008091F
7-M	Delimiting Kit	052870F	052870F

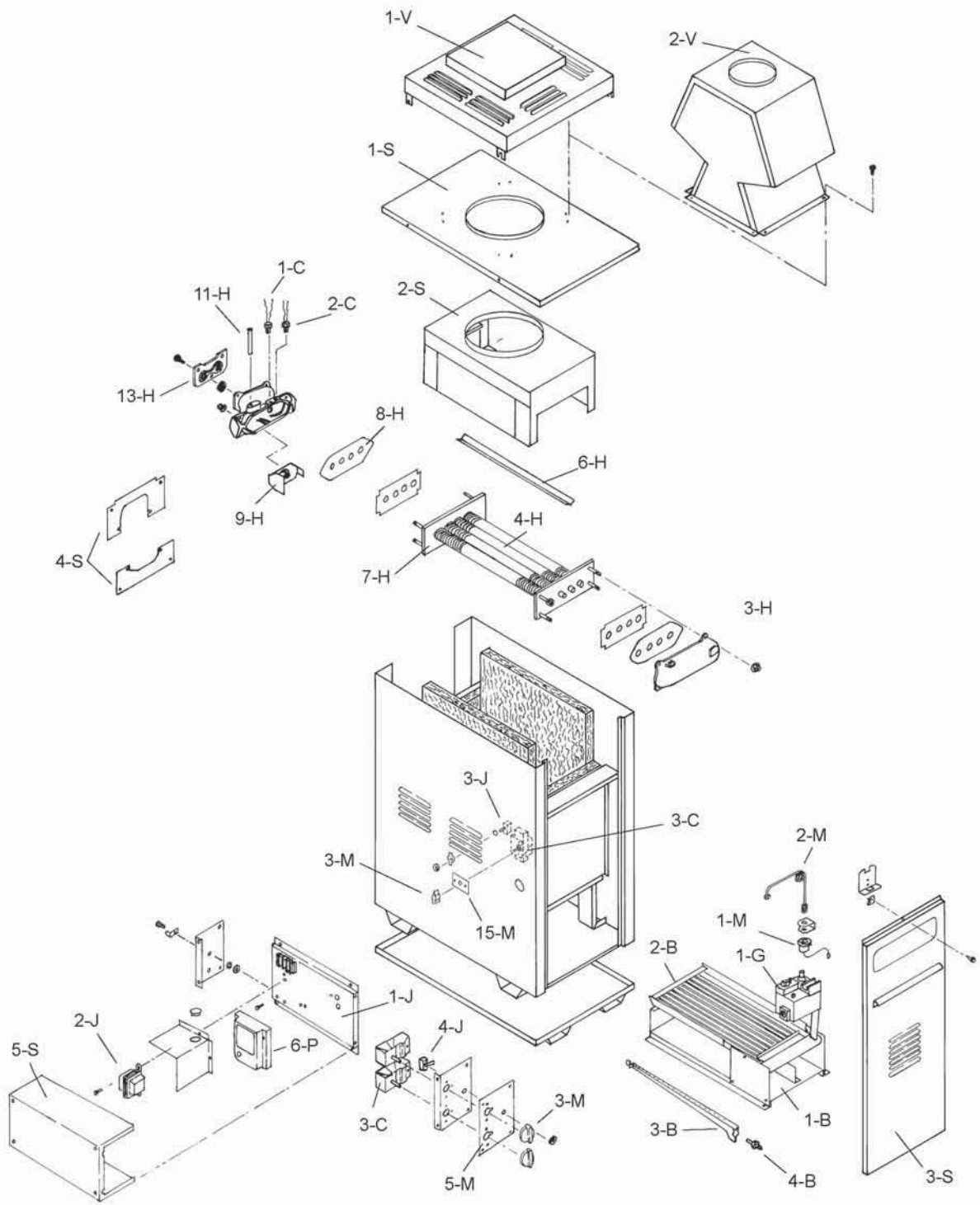
*FOR ALTITUDES ABOVE 2,000 FEET ABOVE SEA LEVEL, CONSULT THE FACTORY.

CALL OUT	DESCRIPTION	CAL III CAST IRON	SPA PAK BRASS
P	PILOT		
1-P	Pilot Nat. Standing	600525B	600525B
	Pilot Pro. Standing	600575B	600575B
2-P	Pilot Nat. IID	002003F	002003F
3-P	Pilot Orifice Nat. Standing	003901F	003901F
	Pilot Orifice Pro. Standing	003902F	003902F
4-P	Pilot Orifice Nat. IID	003903F	003903F
5-P	Pilot Generator (Standing Pilot Only)	600019B	600019B
6-P	Ignition Control (IID Pilot Only)	004817B	004817B
7-P	Pilot Mounting Bracket Standing	303730	303730
8-P	Pilot Mounting Bracket IID	304670	304670
9-P	Lighter Tube (Standing Pilot Only)	052797	052797
10-P	Pilot Tube	004078F	004078F
11-P	Hi Tension Wire	006088B	006088B
R	REFRACTORY		
1-R	Refractory Kit	000992F	000992F
2-R	Refractory Retainer Kit	001057F	001057F
S	SHEETMETAL		
1-S	Jacket Top	002007F	002007F
2-S	Flue Collector	002008F	002008F
3-S	Door Assy.	N/A	N/A
4-S	Access Panel Group	N/A	N/A
5-S	J-Box Sheetmetal	N/A	N/A
V	VENTING		
1-V	Stackless Top Kit (Outdoor)	N/A	N/A
2-V	Draft Hood Kit (Indoor)	003723	003723

CONVERSION KIT **		
Gas Conversion		
Nat. to Pro. Standing Pilot	004690B	004690B
Pro. to Nat. Standing Pilot	004691F	004691F
Nat. to Pro. Electric Pilot	N/A	N/A

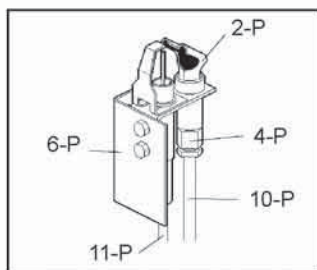
** Gas conversions are to be done only by a qualified agency.

DATE OF MANUFACTURE: 12-01-81 THRU 01-01-84

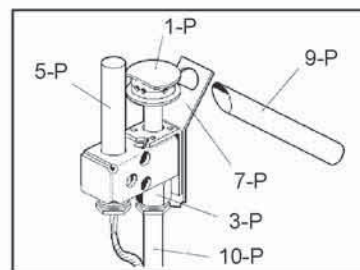


PARTS - RESIDENTIAL

Reference
IPL 9100.30



Honeywell IID



Honeywell MV

CALL OUT	DESCRIPTION	GEMINI	SPA PAK
B	BURNER TRAY		
1-B	Burner Tray w/Burners (Sea Level)*	001989F	001989F
	Burner Tray w/o Burners (Sea Level)*	001990F	001990F
2-B	Burner Hold Down Kit	001991F	001991F
3-B	Burner	301210/10	301210/10
4-B	Burner Orifice Nat. #51 (Sea Level)*	350080F/10	350080F/10
	Burner Orifice Pro. #57 (Sea Level)*	350083F/10	350083F/10
C	CONTROLS		
1-C	High Limit 135°F	600892B	600892B
2-C	High Limit 140°F	600893B	600893B
3-C	Thermostat Control	003346F	003346F
G	GAS VALVE		
1-G	Combination Valve 1/2" Nat.	003898F	003898F
	Combination Valve 1/2" Pro.	003899F	003899F
	Combination Valve 1/2" Nat. IID	003900F	003900F
H	HEAT EXCHANGER		
1-H	Heat Exchanger Assy. (Complete)	N/A	N/A
2-H	Inlet/Outlet Header	N/A	N/A
3-H	Return Header	002437F	use 002437F
4-H	Tube Bundle	002439F	002439F
5-H	Heat Exchange Tube	002440F	002440F
6-H	Baffle Kit	004055F	004055F
7-H	Bolt Kit	001056F	001056F
8-H	Header Gasket	800075B	800075B
9-H	Unitherm Governor	053242B	053242B
10-H	Drain Valve	500719	500719
11-H	Sensor Well	007211F	007211F
12-H	Well Retaining Clip	300203	300203
13-H	Inlet/Outlet Flange	002432F	002432F
14-H	Flange Gasket	800013B	800013B
J	J-BOX		
1-J	J-Box (IID Unit)	N/A	N/A
2-J	Transformer	006736F	006736F
3-J	Toggle Switch (Single Thermostat)	650761	650761
4-J	Toggle Switch (Dual Thermostat)	650553F	N/A
M	MISCELLANEOUS COMPONENTS		
1-M	Pressure Switch	062237B	062237B
2-M	Pressure Switch Tube Assy.	003271F	003271F
3-M	Thermostat Knob	006885F	006885F
4-M	Knob Stop	006886F	006886F
5-M	Dial Plate Std.	N/A	N/A
	Dial Plate IID	N/A	N/A
	Dial Plate IID Dual	N/A	N/A
6-M	PRV 125 PSI (Not Shown)	008091F	008091F
7-M	Delimiting Kit	052870F	052870F

FOR ALTITUDES ABOVE 2,000 FEET ABOVE SEA LEVEL, CONSULT THE FACTORY.

CALL OUT	DESCRIPTION	GEMINI	SPA PAK
P	PILOT		
1-P	Pilot Nat. Standing	600525B	600525B
	Pilot Pro. Standing	600575B	600575B
1-P	Pilot Nat. IID	002003F	002003F
3-P	Pilot Orifice Nat. Standing	003901F	003901F
	Pilot Orifice Pro. Standing	003902F	003902F
4-P	Pilot Orifice Nat. IID	003903F	003903F
5-P	Pilot Generator (Standing Pilot Only)	600019B	600019B
6-P	Ignition Control (IID Pilot Only)	004817B	004817B
7-P	Pilot Mounting Bracket Standing	006054F	006054F
8-P	Pilot Mounting Bracket IID	006055F	006055F
9-P	Lighter Tube (Standing Pilot Only)	052797	052797
10-P	Pilot Tube	004078F	004078F
11-P	Hi Tension Wire	006088B	006088B
R	REFRACTORY		
1-R	Refractory Kit	000992F	000992F
2-R	Refractory Retainer Kit	001057F	001057F
S	SHEETMETAL		
1-S	Jacket Top	002007F	002007F
2-S	Flue Collector	002008F	002008F
3-S	Door Assy.	N/A	N/A
4-S	Access Panel Group	N/A	N/A
5-S	J- Box Sheetmetal	N/A	N/A
V	VENTING		
1-V	Stackless Top Kit (Outdoor)	N/A	N/A
2-V	Draft Hood Kit (Indoor)	003723	003723

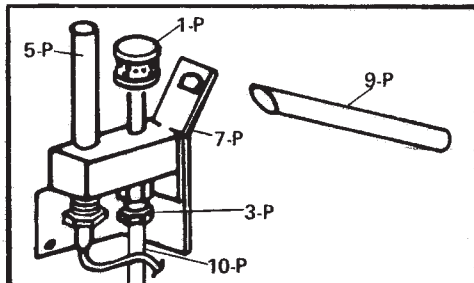
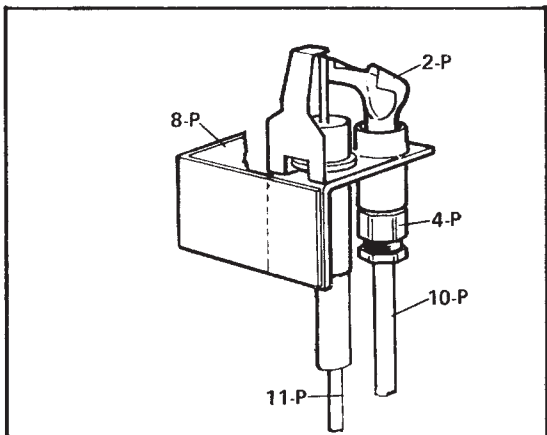
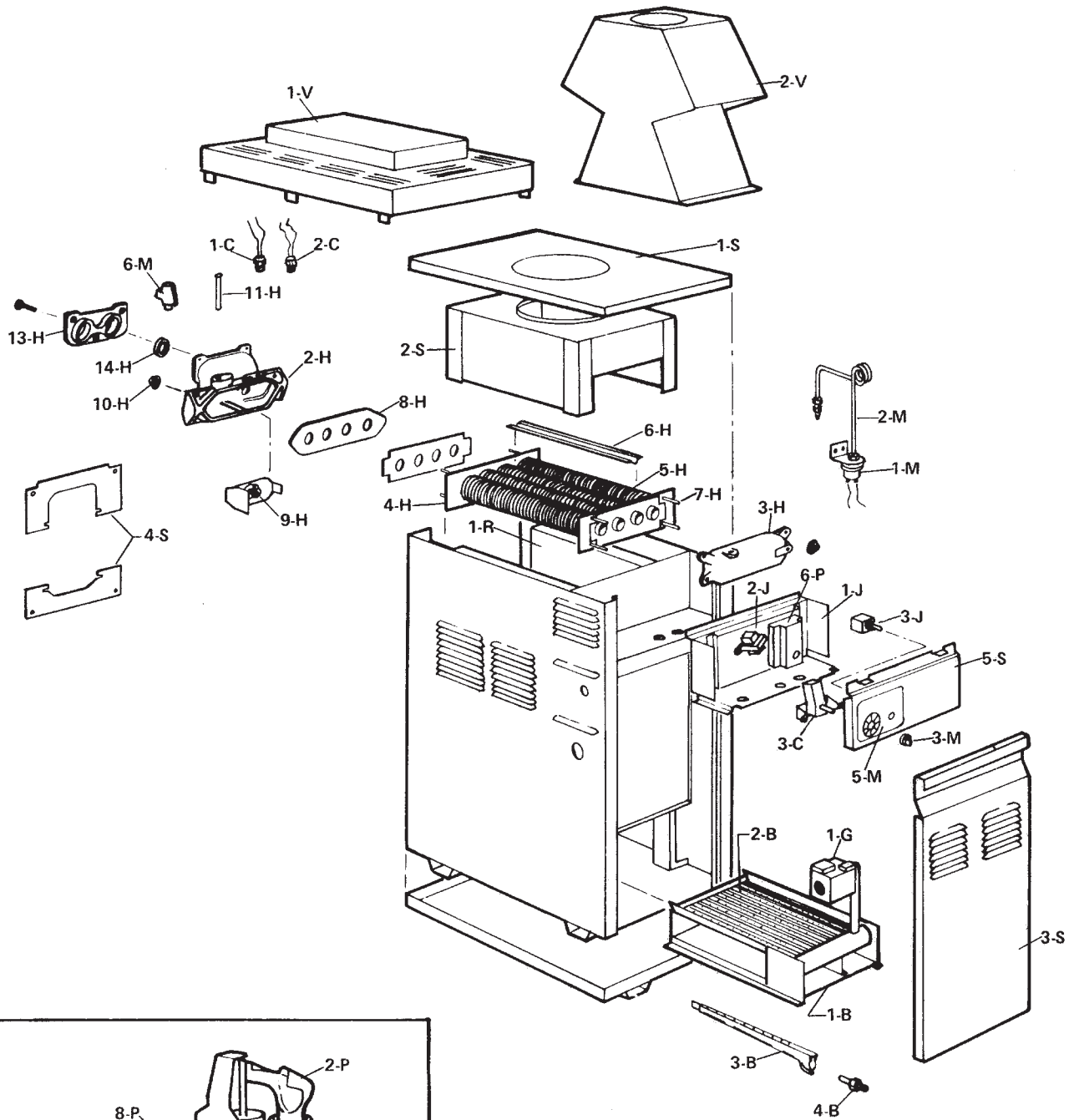
CONVERSION KIT**			
Gas Conversions			
	Nat. to Pro. Standing Pilot	004690F	004690F
	Pro. to Nat. Standing Pilot	004691F	004691F
	Nat. to Pro. Electric Pilot	N/A	N/A

** Gas conversions are to be done only by a qualified agency.

153A

DATE OF MANUFACTURE: 01-01-84 THRU 02-15-87

PARTS - RESIDENTIAL



Reference
IPL 9100.301

CALL OUT	DESCRIPTION	GEMINI	SPA PAK
B	BURNER TRAY		
1-B	Burner Tray w/Burners (Sea Level)*	001989F	001989F
	Burner Tray w/o Burners (Sea Level)*	001990F	001990F
2-B	Burner Hold Down Kit	001991F	001991F
3-B	Burner	301210/10	301210/10
4-B	Burner Orifice Nat. #51 (Sea Level)*	350080/10	350080/10
	Burner Orifice Pro. #57 (Sea Level)*	350083/10	350083/10
C	CONTROLS		
1-C	High Limit 135°F	600892B	600892B
2-C	High Limit 140°F	600893B	600893B
3-C	Thermostat Control	003346F	003346F
G	GAS VALVE		
1-G	Combination Valve 1/2" Nat.	003898F	003898F
	Combination Valve 1/2" Pro.	003899F	003899F
	Combination Valve 1/2" Nat. IID	003900F	003900F
H	HEAT EXCHANGER		
1-H	Heat Exchanger Assy. (Complete)	N/A	N/A
2-H	Inlet/Outlet Header	N/A	N/A
3-H	Return Header	002437F	N/A
4-H	Tube Bundle	002439F	002439F
5-H	Heat Exchange Tube	002440F	002440F
6-H	Baffle Kit	002000F	002000F
7-H	Bolt Kit	001056F	001056F
8-H	Header Gasket	800075B	800075B
9-H	Unitherm Governor	053242B	053242B
10-H	Drain Valve	500719	500719
11-H	Sensor Well	007211F	007211F
12-H	Well Retaining Clip	300203	300203
13-H	Inlet/Oulet Flange	002432F	002432F
14-H	Flange Gasket	800013B	800013B
J	J-BOX (CONTROL BOX)		
1-J	Control Box (IID Unit)	N/A	N/A
2-J	Transformer 120/240/24V	006736F	006736F
3-J	Toggle Switch (Single Thermostat)	650761	650761
	Toggle Switch (Dual Thermostat)	650553F	N/A
M	MISCELLANEOUS COMPONENTS		
1-M	Pressure Switch	062237B	062237B
2-M	Pressure Switch Tube Assy.	003271F	003271F
3-M	Thermostat Knob	006885F	006885F
4-M	Knob Stop	006886F	006886F
5-M	Dial Plate	N/A	N/A
6-M	PRV 125 PSI	008091F	008091F
7-M	Deliming Kit	052870F	052870F

*FOR ALTITUDES ABOVE 2,000 FEET ABOVE SEA LEVEL, CONSULT THE FACTORY.

CALL OUT	DESCRIPTION	GEMINI	SPA PAK
P	PILOT		
1-P	Pilot Nat. Standing	600525B	600525B
	Pilot Pro. Standing	600575B	600575B
2-P	Pilot Nat. IID	002003F	002003F
3-P	Pilot Orifice Nat. Standing	003901F	003901F
	Pilot Orifice Pro. Standing	003902F	003902F
4-P	Pilot Orifice Nat. IID	003903F	003903F
5-P	Pilot Generator (Standing Pilot Only)	600019B	600019B
6-P	Ignition Control (IID Pilot Only)	004817B	004817B
7-P	Pilot Mounting Bracket Standing	006054F	006054F
8-P	Pilot Mounting Bracket IID	006055F	006055F
9-P	Lighter Tube (Standing Pilot Only)	052797	052797
10-P	Pilot Tube	004078F	004078F
11-P	Hi Tension Wire	006088B	006088B
R	REFRACTORY		
1-R	Refractory Kit	000992F	000992F
2-R	Refractory Retainer Kit	002006F	002006F
S	SHEETMETAL		
1-S	Jacket Top	002007F	002007F
2-S	Flue Collector	002008F	002008F
3-S	Door Assy.	002010F	002010F
4-S	Access Panel Group	N/A	N/A
5-S	Control Panel	N/A	N/A
V	VENTING		
1-V	Stackless Top Kit (Outdoor)	003710	003710
2-V	Draft Hood Kit (Indoor)	003723	003723

CONVERSION KIT**

Nat. to Pro. Standing Pilot	004690B
Pro. to Nat. Standing Pilot	004691F
Nat. to Pro. Electric Pilot	N/A

**Gas conversions are to be done only by a qualified agency.

CALL OUT	DESCRIPTION	PREMIUM BRONZE	CAST IRON
B	BURNER TRAY		
1-B	Burner Tray w/Burners (Sea Level)*	001989F	001989F
	Burner Tray w/o Burners (Sea Level)*	001990F	001990F
	Burner Tray w/Gas Valve NAT STG	004848F	004848F
	Burner Tray w/Gas Valve PRO STG	004850F	004850F
	Burner Tray w/Gas Valve NAT IID	004849F	004849F
	Burner Tray w/Gas Valve PRO IID	004851F	004851F
2-B	Burner Hold Down Kit	001991F	001991F
3-B	Burner	301210/10	301210/10
4-B	Burner Orifice Nat. #50 (Sea Level)*	350079F/10	350079F/10
	Burner Orifice Pro. #57 (Sea Level)*	350083F/10	350083F/10
C	CONTROLS		
1-C	High Limit 135 F	600892B	600892B
2-C	High Limit 140 F	600893B	600893B
3-C	Thermostat Control MV (Mechanical)	003346F	003346F
8-C	Thermostat Control MV (Solid State)	005391F	005391F
5-C	PC Board	005089B	005089B
6-C	Potentiometer	005087B	005087B
7-C	Temperature Sensor	005088B	005088B
9-C	Thermostat Control IID (Solid State)	005389F	005389F
4-C	PC Board	005086B	005086B
6-C	Potentiometer	005087B	005087B
7-C	Temperature Sensor	005088B	005088B
G	GAS VALVE		
1-G	Combination Valve Nat. MV	003898F	003898F
	Combination Valve Pro. MV	003899F	003899F
	Combination Valve Nat. IID	003900F	003900F
	Combination Valve Pro. IID	004306F	004306F
H	HEAT EXCHANGER		
1-H	Heat Exchange Assy. (Complete)	N/A	N/A
2-H	Inlet/Outlet Header	N/A	N/A
3-H	Return Header	N/A	002437F
4-H	Tube Bundle	002439F	002439F
5-H	Heat Exchange Tube**	002440F	002440F
6-H	Baffle Kit***	002000F	002000F
7-H	Bolt Kit	001056F	001056F
8-H	Header Gasket	800075B	800075B
9-H	Unitherm Governor	053242B	053242B
10-H	Drain Valve	500719	500719
11-H	Sensor Well	007211F	007211F
12-H	Well Retaining Clip	300203	300203
13-H	Inlet/Outlet Flange	002432F	002432F
14-H	Flange Gasket	800013B	800013B
J	J BOX/CONTROL BOX		
1-J	Control Box IID w/o Thermostat Nat.	003790F	003790F
	Control Box IID w/o Thermostat Pro.	004309F	004309F
2-J	Ignition Control IID Nat.	004817B	004817B
	Ignition Control IID Pro	004818B	004818B
3-J	Transformer 120/240/24V	006736F	006736F
4-J	Toggle Switch	650761	650761

*FOR ALTITUDES ABOVE 2,000 FEET ABOVE SEA LEVEL, CONSULT THE FACTORY.

**FOR HEATERS BUILT AFTER JAN. 90 USE KIT #001999F

***FOR HEATERS BUILT AFTER JAN. 90 USE KIT #001622F

CALL OUT	DESCRIPTION	PREMIUM BRONZE	CAST IRON
M	MISCELLANEOUS COMPONENTS		
1-M	Pressure Switch	062237B	062237B
2-M	Pressure Switch Tube Assy.	003271F	003271F
3-M	Thermostat Knob	006885F	006885F
4-M	Knob Stop	006886F	006886F
5-M	Dial Plate Std.	900741	900748
	Dial Plate IID	900742	900749
6-M	PRV-75 PSI	501507F	501507F
7-M	Delimiting Kit	052871F	052871F
8-M	Wire Harness Std.	004012F	004012F
	Wire Harness IID	004013F	004013F
P	PILOT		
1-P	Pilot Nat. MV	600525B	600525B
	Pilot Pro. MV	600575B	600575B
3-P	Pilot Nat. IID	002003F	002003F
	Pilot Pro IID	002003F	002003F
5-P	Pilot Orifice Nat. MV	003901F	003901F
	Pilot Orifice Pro. MV	003902F	003902F
7-P	Pilot Orifice Nat. IID	003903F	003903F
	Pilot Orifice Pro IID	004308F	004308F
9-P	Pilot Generator MV	600019B	600019B
12-P	Ignition Control IID Nat.	004817B	004817B
	Ignition Control IID Pro	004818B	004818B
13-P	Pilot Mounting Bracket MV	006054F	006054F
14-P	Pilot Mounting Bracket IID	006055F	006055F
15-P	Lighter Tube (MV Units Only)	052797	052797
16-P	Pilot Tube	004078F	004078F
17-P	Hi Tension Wire IID	006088B	006088B
R	REFRACTORY		
1-R	Refractory Kit	000992F	000992F
2-R	Refractory Retainer Kit	002006F	002006F
S	SHEETMETAL		
1-S	Jacket Top	002007F	002007F
2-S	Flue Collector	002008F	002008F
3-S	Door Assy.	002010F	002010F
4-S	Access Panel Group	004890F	004890F
5-S	Control Panel Standing Pilot	003788F	003788F
	Control Panel IID Pilot	003789F	003789F
V	VENTING		
1-V	Stackless Top (Outdoor)	003710	003710
2-V	Drafthood (Indoor)	003723	003723
3-V	Outdoor Stack w/Adapter (Outdoor)	004301	004301
4-V	Outdoor Stack	951018	951018

CONVERSION KITS**	
GAS CONVERSIONS	
Nat. to Pro. Standing Pilot	004690B
Pro. to Nat. Standing Pilot	004691F
Nat. to Pro. Electronic Pilot	N/A
Pro. to Nat. Electronic Pilot	N/A

** Gas Conversions are to be done only by a qualified agency.

155B/C

DATE OF MANUFACTURE: 09-01-91 THRU CURRENT
 155C UNITS MANUFACTURE: 11-01-96 THRU CURRENT

PARTS - RESIDENTIAL

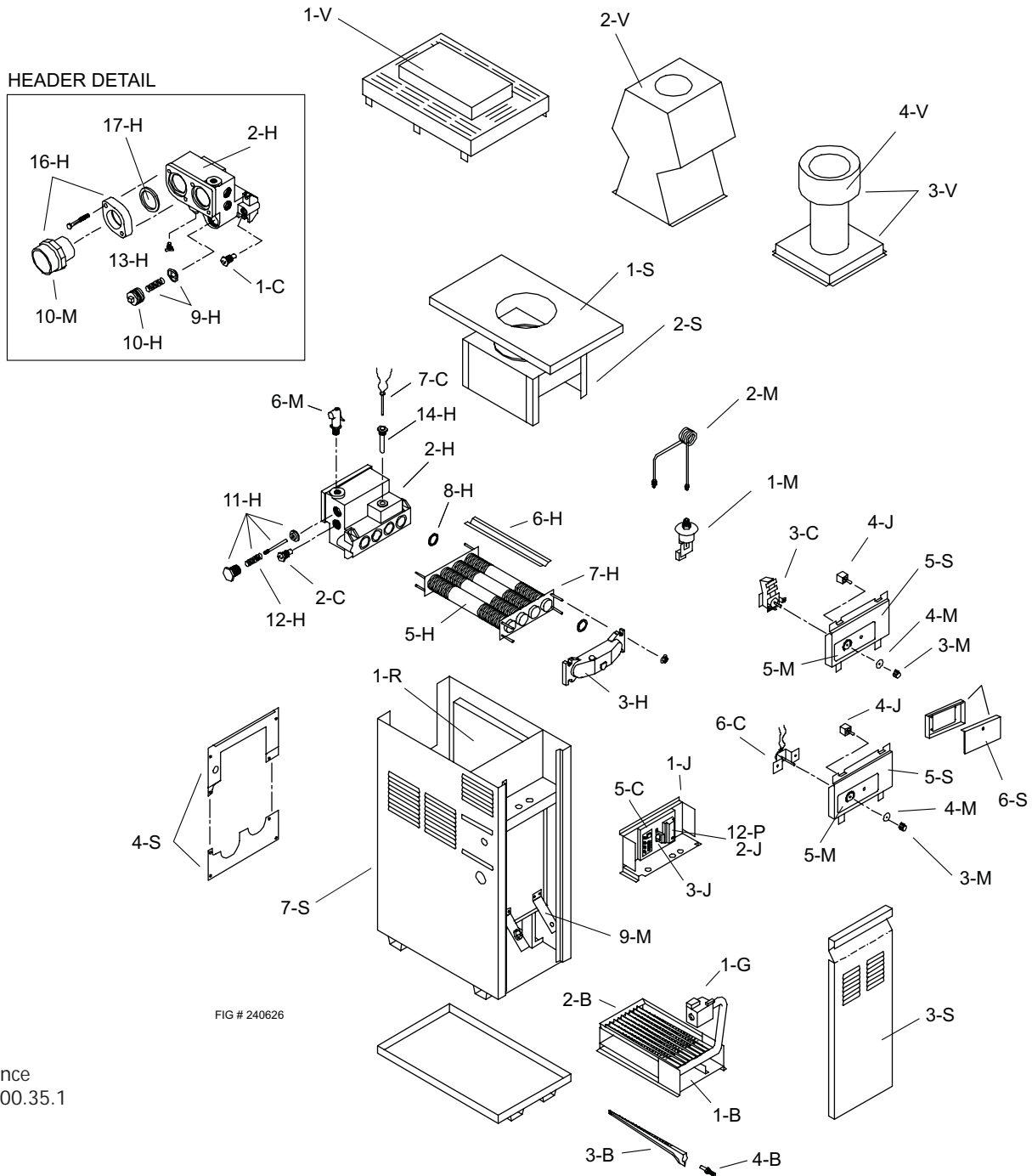


FIG # 240626

Reference
 IPL 9100.35.1

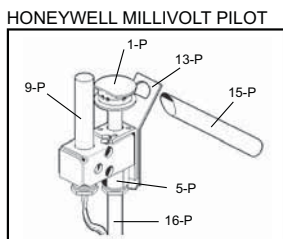


FIG #8107

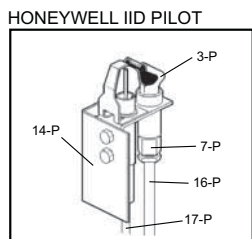


FIG #8124

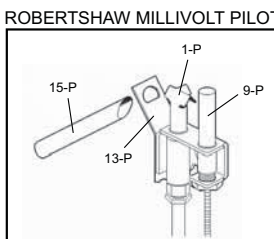


FIG #8123

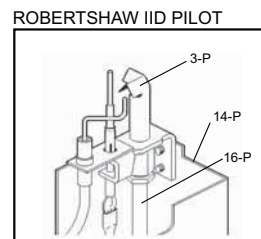


FIG #8122

CALL OUT	DESCRIPTION	PREMIUM BRONZE	CAST IRON
B	BURNER TRAY		
1-B	Burner Tray w/Burners (Sea Level)*	001989F	001989F
	Burner Tray w/Burners & (1) piece manifold (Sea level)	007331F	007331F
	Burner Tray w/o Burners (Sea Level)*	001990F	001990F
	Burner Tray w/o Bruners & (1) piece manifold (Sea level)	007332F	007332F
	Burner Tray w/Gas Valve NAT STG	004848F	004848F
	Burner Tray w/Gas Valve PRO STG	004850F	004850F
	Burner Tray w/Gas Valve NAT IID	004849F	004849F
	Burner Tray w/Gas Valve PRO IID	004851F	004851F
2-B	Burner Hold Down Kit	001991F	001991F
3-B	Burner	301210/10	301210/10
4-B	Burner Orifice Nat. #50 (Sea Level)*	350079F/10	350079F/10
	Burner Orifice Pro. #57 (Sea Level)*	350083F/10	350083F/10
C	CONTROLS		
1-C	High Limit 135 F	600892B	600892B
2-C	High Limit 140 F	600893B	600893B
3-C	Thermostat Control MV (Mechanical)	003346F	003346F
4-C	Thermostat Control IID (Solid State)	005390F	005390F
5-C	PC Board	005086B	005086B
6-C	Potentiometer	005087B	005087B
7-C	Temperature Sensor	005088B	005088B
G	GAS VALVE		
1-G	Combination Valve Nat. MV	003898F	003898F
	Combination Valve Pro. MV	003899F	003899F
	Combination Valve Nat. IID	003900F	003900F
	Combination Valve Pro. IID	004306F	004306F
H	HEAT EXCHANGER		
1-H	Heat Exchange Assy. (Complete)	004886F	004962F
2-H	Inlet/Outlet Header	004887F	004963F
3-H	Return Header	004888F	004964F
4-H	Tube Bundle	004896F	004896F
5-H	Heat Exchange Tube **	001999F	001999F
6-H	Baffle Kit ***	001622F	001622F
7-H	Carriage Bolt Kit	004889F	004889F
	Stud Bolt Kit	007910F	007910F
8-H	Header Gasket	800086B	800086B
9-H	Unitherm Governor	062234B	062234B
10-H	U.G. Retainer Spring	850254	850254
11-H	Bypass Valve	062235B	062235B
12-H	Bypass Spring	850252	850252
13-H	Drain Valve	500719	500719
14-H	Sensor Well	003765F	003765F
15-H	Well Retaining Clip	300203	300203
16-H	Inlet & Outlet Flange	003766F	003766F
17-H	Flange Gasket 1-1/2" Connections	062236B	062236B
	Flange Gasket 2" Connections	800080B	800080B
J	J BOX/CONTROL BOX		
1-J	Control Box IID w/o Thermostat Nat.	003790F	003790F
	Control Box IID w/o Thermostat Pro.	004309F	004309F
2-J	Ignition Control IID Nat.	004817B	004817B
	Ignition Control IID Pro	004818B	004818B
3-J	Transformer 120/240/24V	006736F	006736F
4-J	Toggle Switch	650761	650761

*FOR ALTITUDES ABOVE 2,000 FEET ABOVE SEA LEVEL, CONSULT THE FACTORY.

**FOR HEATERS BUILT AFTER APRIL 1996 USE KIT #002440F

***FOR HEATERS BUILT AFTER APRIL 1996 USE KIT #002000F

CALL OUT	DESCRIPTION	PREMIUM BRONZE	CAST IRON
M	MISCELLANEOUS COMPONENTS		
1-M	Pressure Switch	062237B	062237B
2-M	Pressure Switch Tube Assy.	003271F	003271F
3-M	Thermostat Knob	006885F	006885F
4-M	Knob Stop	006886F	006886F
5-M	Dial Plate Std.	900741	900748
	Dial Plate IID	900742	900749
6-M	PRV-75 PSI	501507F	501507F
7-M	Deliming Kit	052870F	052870F
8-M	Wire Harness Std.	004012F	004012F
	Wire Harness IID	004013F	004013F
9-M	Thermal Fuse	005899F	005899F
10-M	CPVC Adapter	005393F	005393F
P	PILOT		
1-P	Pilot Nat. MV	600525B	600525B
	Pilot Pro. MV	600575B	600575B
3-P	Pilot Nat. IID	002003F	002003F
	Pilot Pro IID	002003F	002003F
5-P	Pilot Orifice Nat. MV	003901F	003901F
	Pilot Orifice Pro. MV	003902F	003902F
7-P	Pilot Orifice Nat. IID	003903F	003903F
	Pilot Orifice Pro IID	004308F	004308F
9-P	Pilot Generator MV	600019B	600019B
12-P	Ignition Control IID Nat.	004817B	004817B
	Ignition Control IID Pro	004818B	004818B
13-P	Pilot Mounting Bracket MV (Plus Models)	006054F	006054F
	Pilot Mounting Bracket MV	303730	303730
	Pilot Mounting Bracket IID	304670	304670
14-P	Pilot Mounting Bracket IID (Plus Models)	006055F	006055F
15-P	Lighter Tube (MV Units Only)	052797	052797
16-P	Pilot Tube	004078F	004078F
17-P	Hi Tension Wire IID	006088B	006088B
	Hi Tension Wire IID w/Pilot Electrode	007864F	007864F
R	REFRACTORY		
1-R	Refractory Kit	000992F	000992F
2-R	Refractory Retainer Kit	002006F	002006F
S	SHEETMETAL		
1-S	Jacket Top	002007F	002007F
2-S	Flue Collector	002008F	002008F
3-S	Door Assy.	002010F	002010F
4-S	Access Panel Group	004890F	004890F
5-S	Control Panel Standing Pilot	003788F	003788F
	Control Panel IID Pilot	003789F	003789F
6-S	Poolstat Control Cover	006492	006492
7-S	Jacket Left	009174F	009174F
	Jacket Right	009175F	009175F
	Jacket Side	009176F	009176F
V	VENTING		
1-V	Stackless Top (Outdoor)	003710	003710
2-V	Drafhood (Indoor)	003723	003723
3-V	Outdoor Stack w/Adapter (Outdoor)	004301	004301
4-V	Outdoor Stack	N/A	N/A

CONVERSION KITS**	
GAS CONVERSIONS	
Nat. to Pro. Standing Pilot	004690B
Pro. to Nat. Standing Pilot	004691F
Nat. to Pro. Electronic Pilot	N/A
Pro. to Nat. Electronic Pilot	N/A

** Gas Conversions are to be done only by a qualified agency.