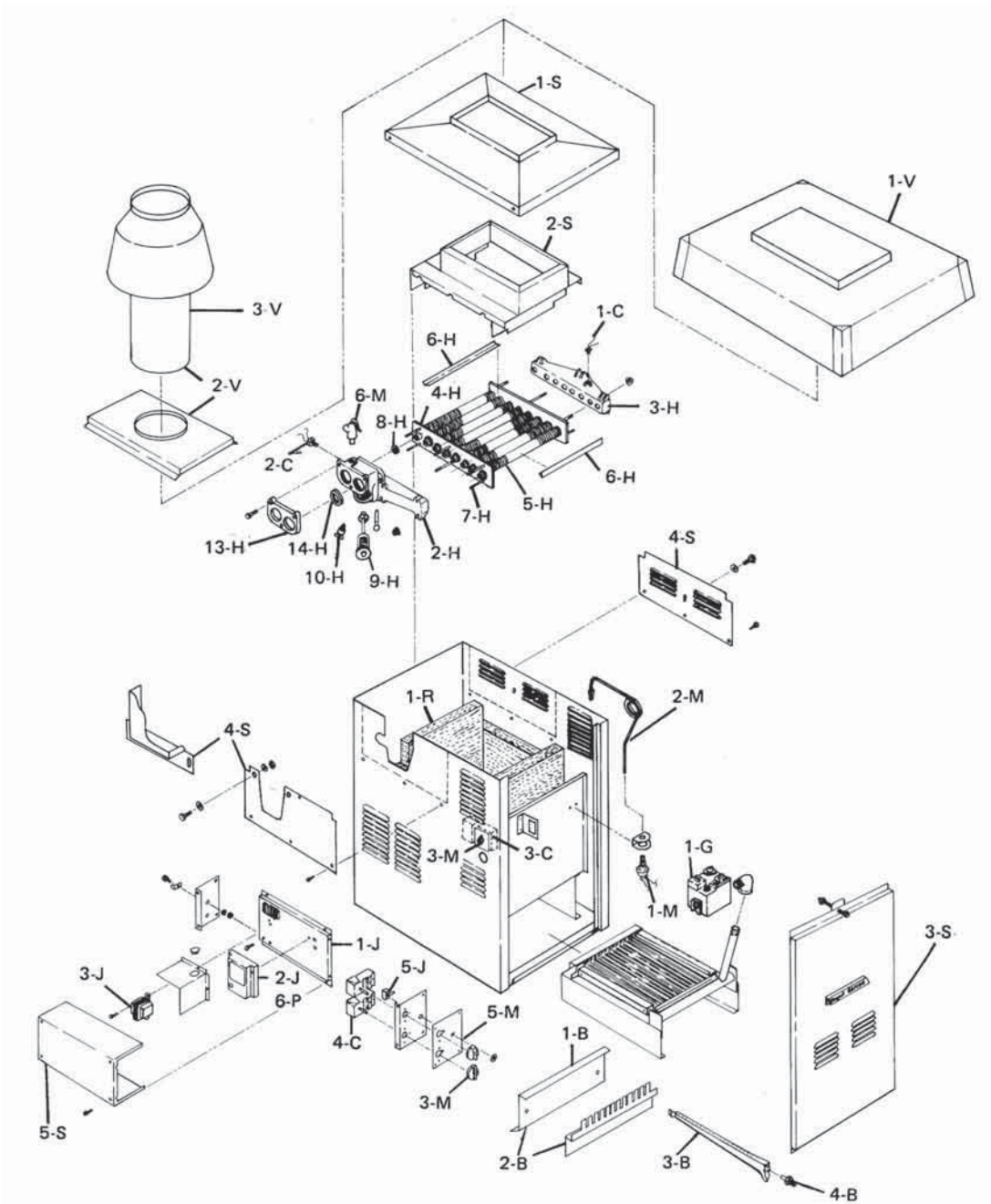


181,261,331,401

DATE OF MANUFACTURE: 1974 THRU 02-01-82



PARTS - RESIDENTIAL

HONEYWELL MILLIVOLT PILOT

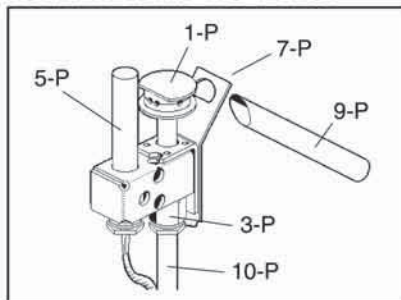


FIG #8107

HONEYWELL IID PILOT

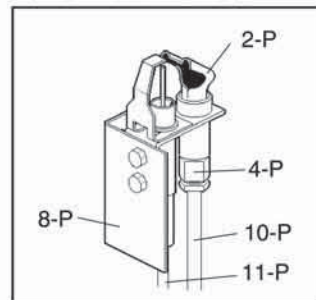


FIG #8124

Reference
IPL 9100.45

CALL OUT	DESCRIPTION	181	261	331	401
B	BURNER TRAY				
1-B	Burner Tray w/Burners (Sea Level)*	N/A	N/A	N/A	N/A
	Burner Tray w/o Burners (Sea Level)*	N/A	N/A	N/A	N/A
2-B	Burner Spacer/Hold Down Kit	N/A	N/A	N/A	N/A
3-B	Burner	301210/12	301210/17	301210/22	301210/27
4-B	Burner Orifice Nat. #51 (Sea Level)*	350080F/12	350080F/17	350080F/22	350080F/27
	Burner Orifice Pro. #57 (Sea Level)*	350083F/12	350083F/17	350083F/22	350083F/27
C	CONTROLS				
1-C	High Limit 135 [∞]	600892B	600892B	600892B	600892B
2-C	High Limit 140 [∞]	600893B	600893B	600893B	600893B
3-C	Thermostat Control MV Units	003346F	003346F	003346F	003346F
4-C	Thermostat Control IID Units	003346F	003346F	003346F	003346F
G	GAS VALVE				
1-G	Combination Valve Nat. MV	003898F	003898F	003898F	003898F
	Combination Valve Pro. MV	003899F	003899F	003899F	003899F
	Combination Valve Nat. IID	003900F	003900F	003900F	003900F
H	HEAT EXCHANGER				
1-H	Heat Exchanger Assy.	N/A	N/A	N/A	N/A
2-H	Inlet/Outlet Header (8 Tube)	004031F	004031F	004031F	004031F
	Inlet/Outlet Header (9 Tube)	002433F	002433F	002433F	002433F
3-H	Return Header (8 Tube)	004032F	004032F	004032F	004032F
	Return Header (9 Tube)	002450F	002450F	002450F	002450F
4-H	Tube Bundle (8 Tube)	004041F	004041F	004042F	004042F
	Tube Bundle (9 Tube)	001559F	001559F	001561F	001561F
5-H	Heat Exchange Tube (8 Tube)	003075F	003075F	003077F	003077F
	Heat Exchange Tube (9 Tube)	003079F	003079F	003081F	003081F
6-H	Baffle Kit (8 Tube)	001204F	001204F	001205F	001205F
	Baffle Kit (9 Tube)	004047F	004047F	004048F	004048F
7-H	Bolt Kit	001303F	001303F	001303F	001303F
8-H	Header Gasket	800014B	800014B	800014B	800014B
9-H	Unitherm Governor	051492B	051492B	051492B	051492B
10-H	Drain Valve	500719	500719	500719	500719
11-H	Sensor Well	007211F	007211F	007211F	007211F
12-H	Well Retaining Clip	300203	300203	300203	300203
13-H	Inlet/Outlet Flange	002432F	002432F	002432F	002432F
14-H	Flange Gasket	800013B	800013B	800013B	800013B
J	J-BOX				
1-J	J-Box	N/A	N/A	N/A	N/A
2-J	Ignition Control IID	004817B	004817B	004817B	004817B
3-J	Transformer 120/240/24V	006736F	006736F	006736F	006736F
4-J	Toggle Switch (MV Units)	650761	650761	650761	650761
5-J	Toggle Switch (IID Units)	650553F	650553F	650553F	650553F

* FOR ALTITUDES ABOVE 2,000 FEET ABOVE SEA LEVEL, CONSULT FACTORY.

CALL OUT	DESCRIPTION	181	261	331	401
M	MISCELLANEOUS COMPONENTS				
1-M	Pressure Switch	062237B	062237B	062237B	062237B
2-M	Pressure Switch Tube Assy.	N/A	N/A	N/A	N/A
3-M	Thermostat Knob	N/A	N/A	N/A	N/A
4-M	Knob Stop	N/A	N/A	N/A	N/A
5-M	Dial Plate Std.	N/A	N/A	N/A	N/A
	Dial Plate IID	N/A	N/A	N/A	N/A
6-M	PRV - 125 PSI	008091F	007224F	007224F	007224F
7-M	Deliming Kit	052871F	052871F	052871F	052871F
P	PILOT				
1-P	Pilot Nat. MV	600525B	600525B	600525B	600525B
	Pilot Pro. MV	600575B	600575B	600575B	600575B
2-P	Pilot Nat. IID	002003F	002003F	002003F	002003F
3-P	Pilot Orifice Nat. MV	003901F	003901F	003901F	003901F
	Pilot Orifice Pro. MV	003902F	003902F	003902F	003902F
4-P	Pilot Orifice Nat. IID	003903F	003903F	003903F	003903F
5-P	Pilot Generator MV	600019B	600019B	600019B	600019B
6-P	Ignition Control IID	004817B	004817B	004817B	004817B
7-P	Pilot Mounting Bracket MV	N/A	N/A	N/A	N/A
8-P	Pilot Mounting Bracket IID	N/A	N/A	N/A	N/A
9-P	Lighter Tube (MV Units Only)	052797	052797	052797	052797
10-P	Pilot Tube	400275	400275	400275	400275
11-P	Hi Tension Wire IID	002654B	002654B	002654B	002654B
R	REFRACTORY				
1-R	Refractory Kit	000993F	000993F	000994F	000994F
2-R	Refractory Retainer Kit	N/A	N/A	N/A	N/A
S	SHEETMETAL				
1-S	Jacket Top	N/A	N/A	N/A	N/A
2-S	Flue Collector	N/A	N/A	N/A	N/A
3-S	Door Assy.	N/A	N/A	N/A	N/A
4-S	Access Panel Group	N/A	N/A	N/A	N/A
5-S	J-Box Sheetmetal	N/A	N/A	N/A	N/A
V	VENTING				
1-V	Stackless Top (Outdoor)	N/A	N/A	N/A	N/A
2-V	Draft Hood w/Stack Adapter (Indoor)	N/A	N/A	N/A	N/A
3-V	Draft Hood w/o Stack Adapter (Indoor)	N/A	N/A	N/A	N/A

CONVERSION KITS **

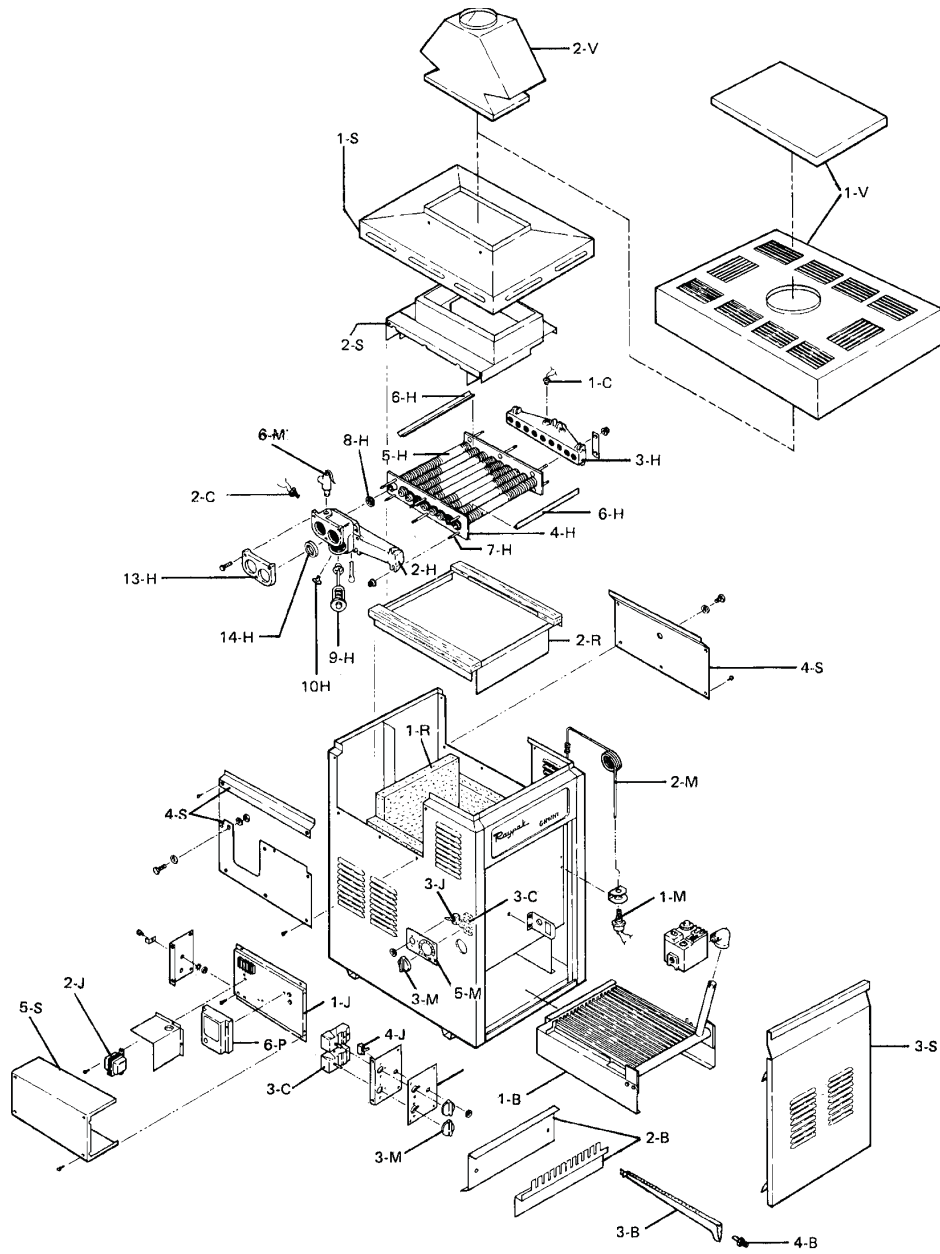
Gas Conversions					
Nat. to Pro. MV Pilot	004690B	004690B	004692B	004692B	
Pro. to Nat. MV Pilot	004691F	004691F	004693F	004693F	
Nat. to Pro. IID Pilot	N/A	N/A	N/A	N/A	

** GAS CONVERSIONS ARE TO BE DONE ONLY BY A QUALIFIED AGENCY.

183,263,333,403

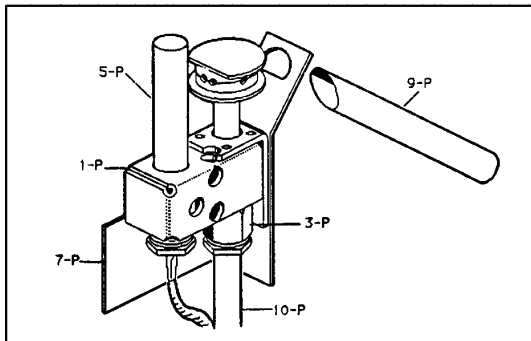
DATE OF MANUFACTURE: 12-01-81 THRU 02-28-84

PARTS - RESIDENTIAL

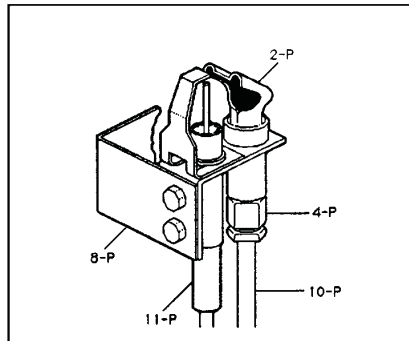


Reference
IPL 9100.50

MILLIVOLT PILOT



IID PILOT



CALL OUT	DESCRIPTION	183	263	333	403
B	BURNER TRAY				
1-B	Burner Tray w/Burners (Sea Level)*	N/A	N/A	N/A	N/A
	Burner Tray w/o Burners (Sea Level)*	N/A	N/A	N/A	N/A
2-B	Burner Spacer/Hold Down Bracket Kit	N/A	N/A	N/A	N/A
3-B	Burner	301210/10	301210/17	301210/21	301210/26
4-B	Burner Orifice Nat. #51 (Sea Level)*	350080F/12	350080F/17	350080F/21	350080F/26
	Burner Orifice Pro. #57 (Sea Level)*	350083F/12	350083F/17	350083F/21	350083F/26
C	CONTROLS				
1-C	High Limit 135°F	600892B	600892B	600892B	600892B
2-C	High Limit 140°F	600893B	600893B	600893B	600893B
3-C	Thermostat Control	003346F	003346F	003346F	003346F
G	GAS VALVES				
1-G	Combination Valve Nat.	003898F	003898F	003898F	003898F
	Combination Valve Pro.	003899F	003899F	003899F	003899F
	Combination Valve Nat. IID	003900F	003900F	003900F	003900F
H	HEAT EXCHANGER				
1-H	Heat Exchanger Assy. CI (Complete)	002443F	002444F	002445F	002446F
	Heat Exchanger Assy. Brass (Complete)	N/A	N/A		
2-H	Inlet/Outlet Header Cast Iron	002433F	002433F	002433F	002433F
	Inlet/Outlet Header Brass	N/A	N/A		
3-H	Return Header Cast Iron	002450F	002450F	002450F	002450F
	Return Header Brass	002451F	002451F		
4-H	Tube Bundle	004671F	004672F	004673F	004674F
5-H	Heat Exchange Tube	002456F	002457F	002458F	002459F
6-H	Baffle Kit	001299F	001300F	001301F	001302F
7-H	Bolt Kit	001303F	001303F	001303F	001303F
8-H	Header Gasket	800014B	800014B	800014B	800014B
9-H	Unitherm Governor	051492B	051492B	051492B	051492B
10-H	Drain Valve	500719	500719	500719	500719
11-H	Sensor Well	007211F	007211F	007211F	007211F
12-H	Well Retaining Clip	300203	300203	300203	300203
13-H	Inlet/Outlet Flange	002432F	002432F	002432F	002432F
14-H	Flange Gasket	800013B	800013B	800013B	800013B
J	J-BOX				
1-J	J-Box	N/A	N/A	N/A	N/A
2-J	Transformer	006736F	006736F	006736F	006736F
3-J	Toggle Switch (Single Thermostat)	650761	650761	650761	650761
4-J	Toggle Switch (Dual Thermostat)	650553F	650553F	650553F	650553F
M	MISCELLANEOUS				
1-M	Pressure Switch	062237B	062237B	062237B	062237B
2-M	Pressure Switch Tube Assy.	004050F	004050F	004050F	004050F
3-M	Thermostat Knob	006885F	006885F	006885F	006885F
4-M	Knob Stop	006886F	006886F	006886F	006886F
5-M	Dial Plate Gemini				
	Dial Plate Spa Pak				
	Dial Plate Gemini IID				
	Dial Plate Spa Pak IID				
6-M	Prv 125 PSI	008091F	011912F	011912F	011912F
7-M	Delimiting Kit	052871F	052871F	052871F	052871F

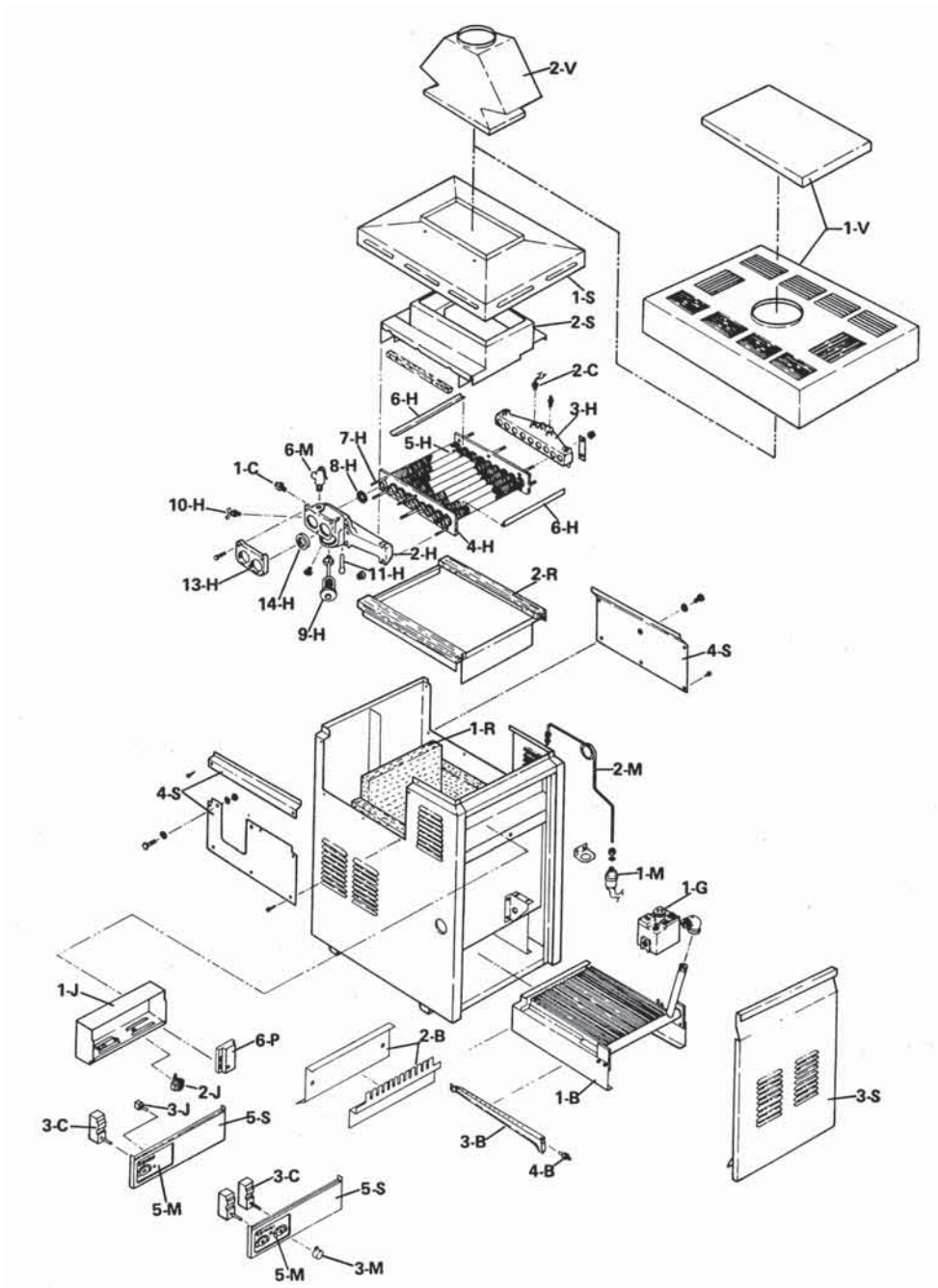
*FOR ALTITUDES ABOVE 2,000 FEET ABOVE SEA LEVEL, CONSULT THE FACTORY.

CALL OUT	DESCRIPTION	183	263	333	403
P	PILOT				
1-P	Pilot Nat. Standing	600525B	600525B	600525B	600525B
	Pilot Pro. Standing	600575B	600575B	600575B	600575B
2-P	Pilot Nat. IID	002003F	002003F	002003F	002003F
3-P	Pilot Orifice Nat. Standing	003901F	003901F	003901F	003901F
	Pilot Orifice Pro. Standing	003902F	003902F	003902F	003902F
4-P	Pilot Orifice Nat. IID	003903F	003903F	003903F	003903F
5-P	Pilot Generator (Standing Pilot Only)	600019B	600019B	600019B	600019B
6-P	Ignition Control IID	004817B	004817B	004817B	004817B
7-P	Pilot Mounting Bracket Standing	305161F	305161F	305161F	305161F
8-P	Pilot Mounting Bracket IID	305160F	305160F	305160F	305160F
9-P	Lighter Tube (Standing Pilot Only)	052797	052797	052797	052797
10-P	Pilot Tube	400275	400275	400275	400275
11-P	Hi Tension Wire	002654B	002654B	002654B	002654B
R	REFRACTORY				
1-R	Refractory Kit	001295F	001296F	001297F	001298F
2-R	Refractory Retainer Kit	001304F	001305F	001306F	001307F
S	SHEETMETAL				
1-S	Jacket Top	002066F	002067F	002068F	002069F
2-S	Flue Collector	002070F	002071F	002072F	002073F
3-S	Door Assy.	N/A	N/A	N/A	N/A
4-S	Access Panel Group	N/A	N/A	N/A	N/A
5-S	J-Box Sheet Metal	N/A	N/A	N/A	N/A
V	VENTING				
1-V	Stackless Top Kit (Outdoor)	003711	003712	003713	003714
2-V	Draft Hood Kit (Indoor)	003724F	003725F	003726	003727
CONVERSION KITS **					
	Nat. to Pro. Standing Pilot	004690B	004690B	004692B	004692B
	Pro. to Nat. Standing Pilot	004691F	004691F	004693F	004693F
	Nat. to Pro. Electric Pilot	N/A	N/A	N/A	N/A

** GAS CONVERSIONS ARE TO BE DONE ONLY BY A QUALIFIED AGENCY.

183A,263A,333A,403A

DATE OF MANUFACTURE: 01-01-84 THRU 11-01-86



PARTS - RESIDENTIAL

Reference
IPL 9100.501

HONEYWELL STANDING PILOT

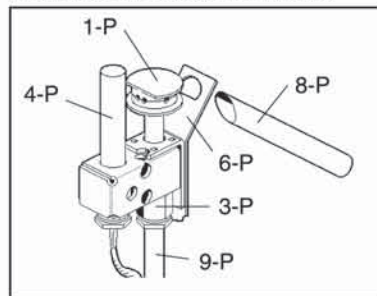


FIG #8107

HONEYWELL IID PILOT

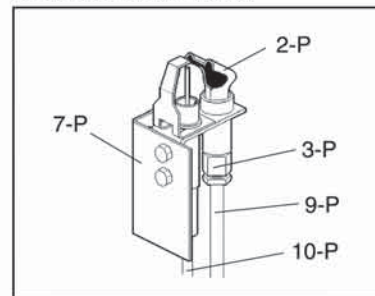


FIG #8124

183A,263A,333A,403A

CALL OUT	DESCRIPTION	183A	263A	333A	403A
B	BURNER TRAY				
1-B	Burner Tray w/Burners (Sea Level)*	N/A	N/A	N/A	N/A
	Burner Tray w/o Burners (Sea Level)*	N/A	N/A	N/A	N/A
2-B	Burner Spacer/Hold Down Brkt. kit	N/A	N/A	N/A	N/A
3-B	Burner	301210/10	301210/17	301210/21	301210/26
4-B	Burner Orifice Nat. #51 (Sea Level)*	350080F/12	350080F/17	350080F/21	350080F/26
	Burner Orifice Pro. #57 (Sea Level)*	350083F/12	350083F/17	350083F/21	350083F/26
C	CONTROLS				
1-C	High Limit 135 F	600892B	600892B	600892B	600892B
2-C	High Limit 140 F	600893B	600893B	600893B	600893B
3-C	Thermostat Control	003346F	003346F	003346F	003346F
G	GAS VALVES				
1-G	Combination Valve Nat.	003898F	003898F	003898F	003898F
	Combination Valve Pro.	003899F	003899F	003899F	003899F
	Combination Valve Nat. IID	003900F	003900F	003900F	003900F
H	HEAT EXCHANGER				
1-H	Heat Exchanger Assy CI (Complete)	002443F	002444F	002445F	002446F
	Heat Exchanger Assy Brass (Complete)		N/A	N/A	N/A
2-H	Inlet/Outlet Header Cast Iron	002433F	002433F	002433F	002433F
	Inlet/Outlet Header Brass		N/A	N/A	N/A
3-H	Return Header Cast Iron	002450F	002450F	002450F	002450F
	Return Header Brass		002451F	002451F	002451F
4-H	Tube Bundle	004671F	004672F	004673F	004674F
5-H	Heat Exchange Tube	002456F	002457F	002458F	002459F
6-H	Baffle Kit	001299F	001300F	001301F	001302F
7-H	Bolt Kit	001303F	001303F	001303F	001303F
8-H	Header Gasket	800014B	800014B	800014B	800014B
9-H	Unitherm Governor	051492B	051492B	051492B	051492B
10-H	Drain Valve	500719	500719	500719	500719
11-H	Sensor Well	007211F	007211F	007211F	007211F
12-H	Well Retaining Clip	300203	300203	300203	300203
13-H	Inlet/Outlet Flange	002432F	002432F	002432F	002432F
14-H	Flange Gasket	800013B	800013B	800013B	800013B
J	J BOX/CONTROL BOX				
1-J	Control Box (IID Units)	N/A	N/A	N/A	N/A
2-J	Transformer 120/240/24V	006736F	006736F	006736F	006736F
3-J	Toggle Switch (Single Thermostat)	650761	650761	650761	650761
	Toggle Switch (Dual Thermostat)	650553F	650553F	650553F	650553F
M	MISCELLANEOUS				
1-M	Pressure Switch	062237B	062237B	062237B	062237B
2-M	Pressure Switch Tube Assy.	003272F	003272F	003272F	003272F
3-M	Thermostat Knob	006885F	006885F	006885F	006885F
4-M	Knob Stop	006886F	006886F	006886F	006886F
5-M	Dial Plate	N/A	N/A	N/A	N/A
6-M	PRV I25 PSI	008091F	011912F	011912F	011912F
7-M	Delimiting Kit	052871F	052871F	052871F	052871F

*FOR ALTITUDES ABOVE 2,000 FEET ABOVE SEA LEVEL, CONSULT THE FACTORY.

183A,263A,333A,403A

CALL OUT	DESCRIPTION	183A	263A	333A	403A
P	PILOT				
1-P	Pilot Nat. Standing	600525B	600525B	600525B	600525B
	Pilot Pro. Standing	600575B	600575B	600575B	600575B
2-P	Pilot Nat. IID	002003F	002003F	002003F	002003F
3-P	Pilot Orifice Nat. Standing	003901F	003901F	003901F	003901F
	Pilot Orifice Pro. Standing	003902F	003902F	003902F	003902F
4-P	Pilot Orifice Nat. IID	003903F	003903F	003903F	003903F
5-P	Pilot Generator (Standing Pilot Only)	600019B	600019B	600019B	600019B
6-P	Ignition Control IID	004817B	004817B	004817B	004817B
7-P	Pilot Mounting Bracket Standing.	305161F	305161F	305161F	305161F
8-P	Pilot Mounting Bracket IID	305160F	305160F	305160F	305160F
9-P	Lighter Tube (Standing Pilot Only)	052797	052797	052797	052797
10-P	Pilot Tube	400275	400275	400275	400275
11-P	Hi Tension Wire	002654B	002654B	002654B	002654B
R	REFRACTORY				
1-R	Refractory Kit	001295F	001296F	001297F	001298F
2-R	Refractory Retainer Kit	001304F	001305F	001306F	001307F
S	SHEET METAL				
1-S	Jacket Top	002066F	002067F	002068F	002069F
2-S	Flue Collector	002070F	002071F	002072F	002073F
3-S	Door Assy.	N/A	N/A	N/A	N/A
4-S	Access Panel Group	N/A	N/A	N/A	N/A
5-S	Control Panel	N/A	N/A	N/A	N/A
V	VENTING				
1-V	Stackless Top Kit (Outdoor)	003711	003712	003713	003714
2-V	Draft Hood Kit (Indoor)	003724F	003725F	003726	003727

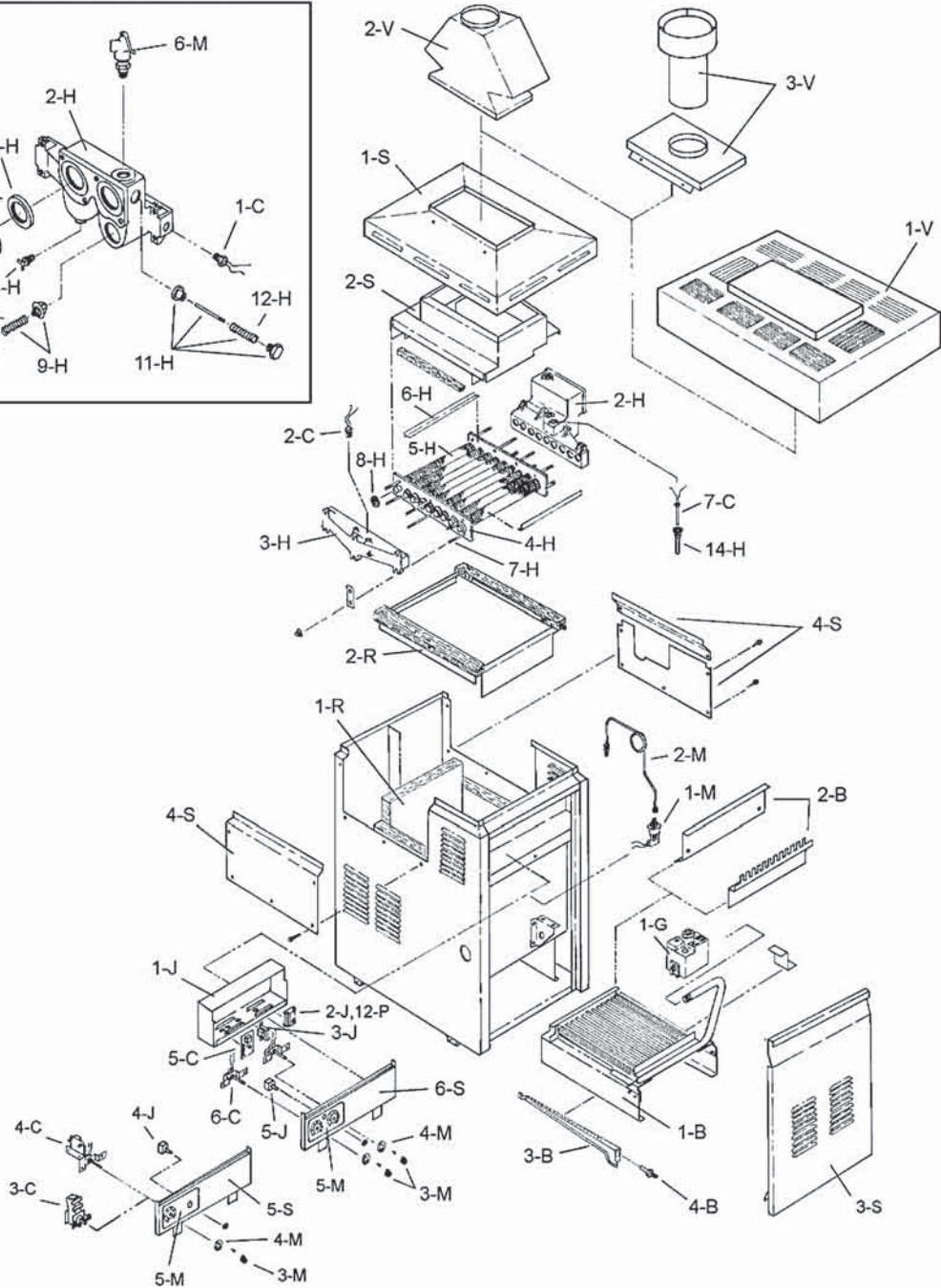
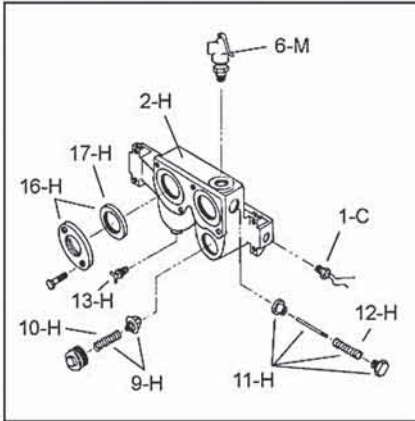
CONVERSION KITS**					
	Nat. to Pro. Standing Pilot	004690B	004690B	004692B	004692B
	Pro. to Nat. Standing Pilot	004691F	004691F	004693F	004693F
	Nat. to Pro. Electric Pilot	N/A	N/A	N/A	N/A

** Gas conversions are to be done by a qualified agency.

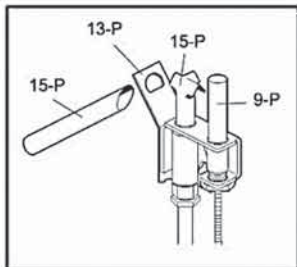
185A,265A,335A,405A

DATE OF MANUFACTURE: 11-01-86 THRU 10-15-88

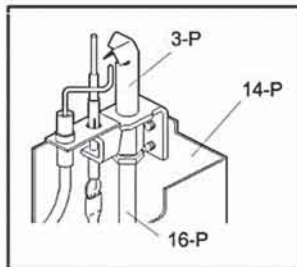
INLET/OUTLET HEADER DETAIL



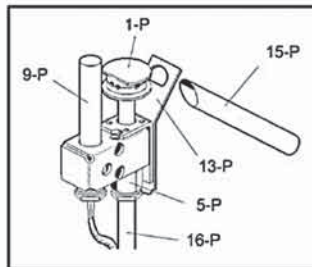
Reference
IPL 9100.55



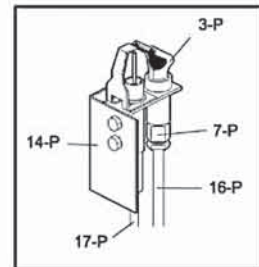
Robertshaw MV



Robertshaw IID



Honeywell MV



Honeywell IID

185A,265A,335A,405A

CALL OUT	DESCRIPTION	185A	265A	335A	405A
B	BURNER TRAY				
1-B	Burner Tray w/Burners (Sea Level)*	N/A	N/A	N/A	N/A
	Burner Tray w/o Burner (Sea Level)*	N/A	N/A	N/A	N/A
2-B	Burner Spacer/Hold Down Kit	N/A	N/A	N/A	N/A
3-B	Burner	301210/12	301210/17	301210/21	301210/26
4-B	Burner Orifice Nat. #50 (Sea Level)*	350079F/12	350079F/17	350079F/21	350079F/26
	Burner Orifice Pro. #57 (Sea Level)*	350083F/12	350083F/17	350083F/21	350083F/26
C	CONTROLS				
1-C	High Limit 135 [∞]	600892B	600892B	600892B	600892B
2-C	High Limit 140 [∞]	600893B	600893B	600893B	600893B
3-C	Thermostat Control MV (Mechanical)	003346F	003346F	003346F	003346F
4-C	Thermostat Control IID (Solid State)	005390F	005390F	005390F	005390F
5-C	PC Board	005086B	005086B	005086B	005086B
6-C	Potentiometer	005087B	005087B	005087B	005087B
7-C	Temperature Sensor	005088B	005088B	005088B	005088B
G	GAS VALVE				
1-G	Combination Valve - Nat. MV	003898F	003898F	003898F	003898F
	Combination Valve - Pro. MV	003899F	003899F	003899F	003899F
	Combination Valve - Nat. IID	003900F	003900F	003900F	003900F
	Combination Valve - Pro. IID	004306F	004306F	004306F	004306F
H	HEAT EXCHANGER				
1-H	Heat Exchanger Assy. CI (Complete)	003752F	003753F	003754F	003755F
	Heat Exchanger Assy. BR (Complete)	004052F	003756F	003757F	003758F
2-H	Inlet/Outlet Header CI	003759F	003759F	003759F	003759F
	Inlet/Outlet Header BR	003760F	003760F	003760F	003760F
3-H	Return Header CI	002450F	002450F	002450F	002450F
	Return Header BR	002451F	002451F	002451F	002451F
4-H	Tube Bundle	004671F	004672F	004673F	004674F
5-H	Heat Exchange Tube	002456F	002457F	002458F	002459F
6-H	Baffle Kit	001299F	001300F	001301F	001302F
7-H	Bolt Kit	001303F	001303F	001303F	001303F
8-H	Header Gasket	800014B	800014B	800014B	800014B
9-H	Unitherm Governor	062234B	062234B	062234B	062234B
10-H	U.G. Retainer Spring	850254	850254	850254	850254
11-H	Bypass Valve	062235B	062235B	062235B	062235B
12-H	Bypass Spring	850252	850253	850253	850253
13-H	Drain Valve	500719	500719	500719	500719
14-H	Sensor Well	003765F	003765F	003765F	003765F
15-H	Well Retaining Clip	300203	300203	300203	300203
16-H	Inlet & Outlet Flange	003766F	003766F	003766F	003766F
17-H	Flange Gasket 1 1/2" Connections	062236B	062236B	062236B	062236B
	Flange Gasket 2" Connections	800080B	800080B	800080B	800080B
J	J BOX/CONTROL BOX				
1-J	Control Box IID w/o Thermostat Nat	N/A	N/A	N/A	N/A
	Control Box IID w/o Thermostat Pro	N/A	N/A	N/A	N/A
2-J	Ignition Control IID Nat	004817B	004817B	004817B	004817B
	Ignition Control IID Pro	004818B	004818B	004818B	004818B
3-J	Transformer 120/240/24V	006736F	006736F	006736F	006736F
4-J	Toggle Switch (MV Units)	650761	650761	650761	650761
5-J	Toggle Switch (IID Units)	650760	650760	650760	650760

*FOR ALTITUDES ABOVE 2,000 FEET LEVEL, CONSULT THE FACTORY.

185A,265A,335A,405A

PARTS - RESIDENTIAL

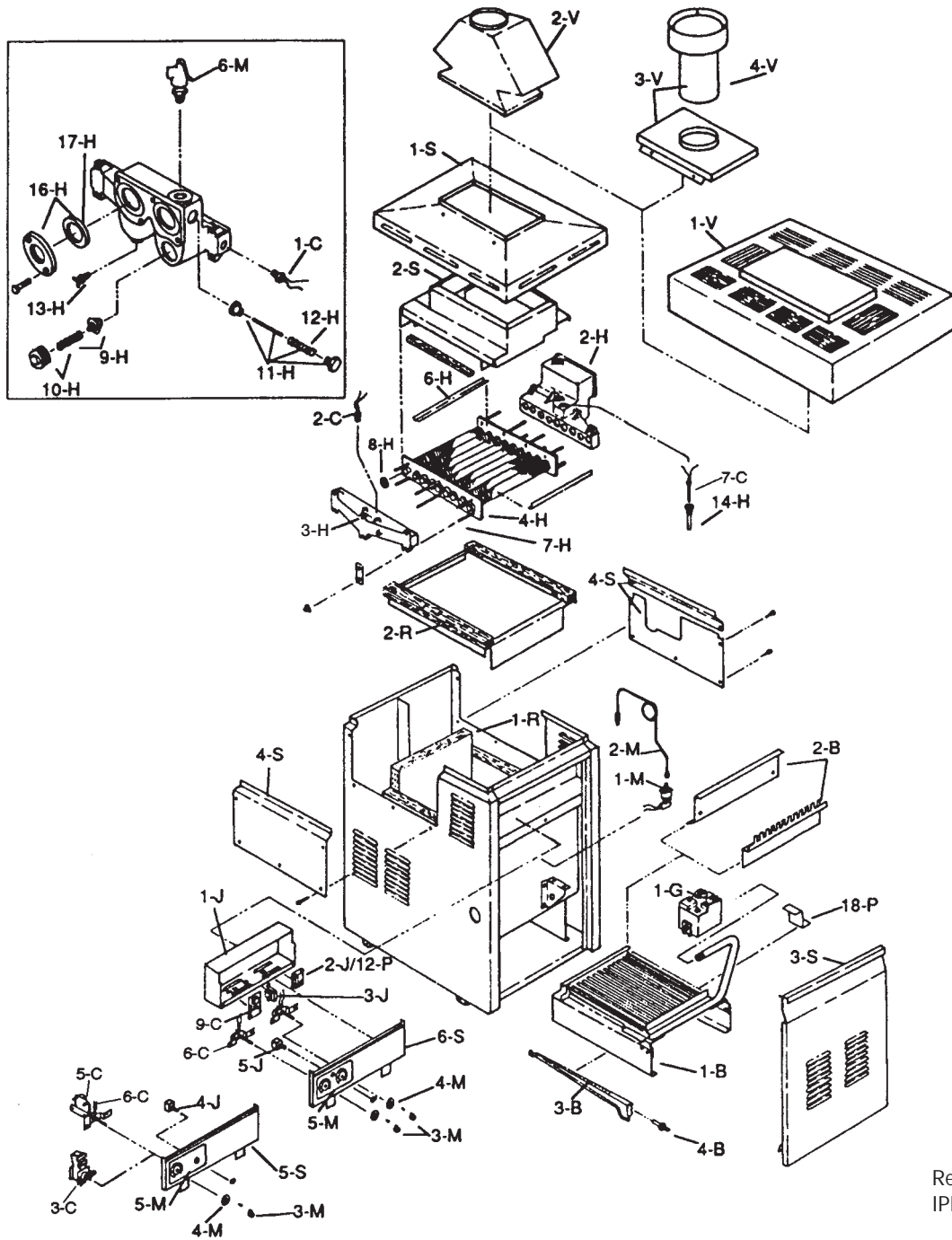
CALL OUT	DESCRIPTION	185A	265A	335A	405A
M	MISCELLANEOUS COMPONENTS				
1-M	Pressure Switch	062237B	062237B	062237B	062237B
2-M	Pressure Switch Tube Assy.	003272F	003272F	003272F	003272F
3-M	Thermostat Knob	006885F	006885F	006885F	006885F
4-M	Knobstop	006886F	006886F	006886F	006886F
5-M	Dial Plate MV Pilot CI	900748	900748	900748	900748
	Dial Plate MV Pilot BR	900741	900741	900741	900741
	Dial Plate IID Pilot CI	900750	900750	900750	900750
	Dial Plate IID Pilot BR	900743	900743	900743	900743
6-M	PRV 125 PSI	008091F	011912F	011912F	011912F
7-M	Delimiting Kit	052871F	052871F	052871F	052871F
8-M	Wire/Harness STD	004007F	004007F	004007F	004007F
	Wire/Harness IID	004008F	004008F	004009F	004009F
P	PILOT				
1-P	Pilot Nat. MV	600525B	600525B	600525B	600525B
	Pilot Pro. MV	600575B	600575B	600575B	600575B
3-P	Pilot Nat. IID	002003F	002003F	002003F	002003F
	Pilot Pro IID	002003F	002003F	002003F	002003F
5-P	Pilot Orifice Nat. MV	003901F	003901F	003901F	003901F
	Pilot Orifice Pro. MV	003902F	003902F	003902F	003902F
7-P	Pilot Orifice Nat. IID	003903F	003903F	003903F	003903F
	Pilot Orifice Pro. IID	004308F	004308F	004308F	004308F
9-P	Pilot Generator MV	600019B	600019B	600019B	600019B
12-P	Ignition Control IID Nat.	004817B	004817B	004817B	004817B
	Ignition Control IID Pro.	004818B	004818B	004818B	004818B
13-P	Pilot MTG Bracket MV	305161F	305161F	305161F	305161F
14-P	Pilot MTG Bracket IID	305160F	305160F	305160F	305160F
15-P	Lighter Tube (MV Units Only)	052797F	052797F	052797F	052797F
16-P	Pilot Tube	400607	400607	400607	400607
17-P	Hi Tension Wire IID	002654B	002654B	002654B	002654B
R	REFRACTORY				
1-R	Refractory Kit	001295F	001296F	001297F	001298F
2-R	Refractory Retainer Kit	001304F	001305F	001306F	001307F
S	SHEETMETAL				
1-S	Jacket Top	002066F	002067F	002068F	002069F
2-S	Flue Collector	002070F	002071F	002072F	002073F
3-S	Door Assy.	N/A	N/A	N/A	N/A
4-S	Access Panel Group	N/A	N/A	N/A	N/A
5-S	Control Panel MV Pilot	N/A	N/A	N/A	N/A
6-S	Control Panel IID Pilot	N/A	N/A	N/A	N/A
V	VENTING				
1-V	Stackless Top (Outdoor)	003711	003712	003713	003714
2-V	Drafthood (Indoor)	003724F	003725F	003726F	003727F
3-V	Outdoor Stack w/Adapter	N/A	N/A	N/A	N/A
4-V	Outdoor Stack	N/A	N/A	N/A	N/A

CONVERSION KITS**					
Gas Conversions					
	Nat. to Pro. MV Pilot	004690B	004690B	004692B	004692B
	Pro. to Nat. MV Pilot	004691F	004691F	004693F	004693F
	Nat. to Pro. IID Pilot	N/A	N/A	N/A	N/A
	Pro. to Nat. IID Pilot	N/A	N/A	N/A	N/A
Thermostat Conversions MV					
	Single Stat to Dual Stat	N/A	N/A	N/A	N/A

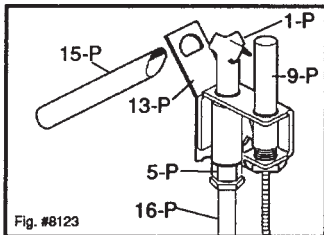
** GAS CONVERSIONS ARE TO BE DONE ONLY BY A QUALIFIED AGENCY.

185B,265B,335B,405B

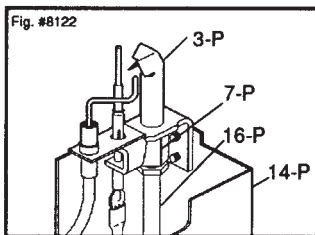
DATE OF MANUFACTURE: 10-16-88 THRU 11-09-92



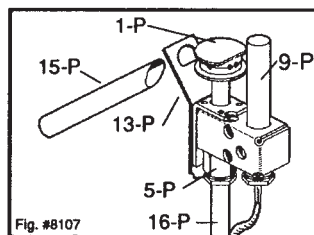
PARTS - RESIDENTIAL



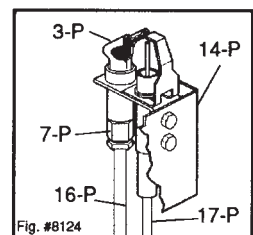
Robertshaw MV



Robertshaw IID



Honeywell MV



Honeywell IID

185B,265B,335B,405B

PARTS - RESIDENTIAL

CALL OUT	DESCRIPTION	185B	265B	335B	405B
B	BURNER TRAY				
1-B	Burner Tray w/Burners (Sea Level)*	004386F	004387F	004388F	004389F
	Burner Tray w/o Burners (Sea Level)*	004390F	004391F	004392F	004393F
	Burner Tray w/Gas Valve Nat STG	004852F	004856F	004860F	004864F
	Burner Tray w/Gas Valve Pro STG	004854F	004858F	004862F	004866F
	Burner Tray w/Gas Valve Nat IID	004853F	004857F	004861F	004865F
	Burner Tray w/Gas Valve Pro IID	004855F	004859F	004863F	004867F
2-B	Burner Spacer/Hold Down Kit	004394F	004395F	004396F	004397F
3-B	Burner	301210/12	301210/17	301210/21	301210/26
4-B	Burner Orifice Nat. #50 (Sea Level)*	350079F/12	350079F/17	350079F/21	350079F/26
	Burner Orifice Pro. #57 (Sea Level)*	350083F/12	350083F/17	350083F/21	350083F/26
C	CONTROLS				
1-C	High Limit 135 [∞]	600892B	600892B	600892B	600892B
2-C	High Limit 140 [∞]	600893B	600893B	600893B	600893B
3-C	Thermostat Control MV (Mechanical)	003346F	003346F	003346F	003346F
4-C	Thermostat Control MV (Solid State)	005391F	005391F	005391F	005391F
5-C	PC Board	005089B	005089B	005089B	005089B
6-C	Potentiometer	005087B	005087B	005087B	005087B
7-C	Temperature Sensor	005088B	005088B	005088B	005088B
8-C	Thermostat Control IID (Solid State)	005390F	005390F	005390F	005390F
9-C	PC Board	005086B	005086B	005086B	005086B
6-C	Potentiometer	005087B	005087B	005087B	005087B
7-C	Temperature Sensor	005088B	005088B	005088B	005088B
G	GAS VALVE				
1-G	Combination Valve - Nat. MV	003898F	003898F	003898F	003898F
	Combination Valve - Pro. MV	003899F	003899F	003899F	003899F
	Combination Valve - Nat. IID	003900F	003900F	003900F	003900F
	Combination Valve - Pro. IID	004306F	004306F	004306F	004306F
H	HEAT EXCHANGER				
1-H	Heat Exchange Assy. CI (Complete)	003752F	003753F	003754F	003755F
	Heat Exchange Assy. BR (Complete)	004052F	003756F	003757F	003758F
2-H	Inlet/Outlet Header CI	003759F	003759F	003759F	003759F
	Inlet/Outlet Header BR	003760F	003760F	003760F	003760F
3-H	Return Header CI	002450F	002450F	002450F	002450F
	Return Header BR	002451F	002451F	002451F	002451F
4-H	Tube Bundle	004671F	004672F	004673F	004674F
	Heat Exchange Tube	002456F	002457F	002458F	002459F
6-H	Baffle Kit	001299F	001300F	001301F	001302F
7-H	Bolt Kit	001303F	001303F	001303F	001303F
8-H	Header Gasket	800014B	800014B	800014B	800014B
9-H	Unitherm Governor	062234B	062234B	062234B	062234B
10-H	U.G. Retainer Spring	850254	850254	850254	850254
11-H	Bypass Valve	062235B	062235B	062235B	062235B
12-H	Bypass Spring	850252	850253	850253	850253
13-H	Drain Valve	500719	500719	500719	500719
14-H	Sensor Well	003765F	003765F	003765F	003765F
15-H	Well Retaining Clip	300203	300203	300203	300203
16-H	Inlet & Outlet Flange	003766F	003766F	003766F	003766F
17-H	Flange Gasket 1 1/2" Connections	062236B	062236B	062236B	062236B
	Flange Gasket 2" Connections	800080B	800080B	800080B	800080B
J	J BOX/CONTROL BOX				
1-J	Control Box IID w/o Thermostat Nat	003767F	003767F	003767F	003767F
	Control Box IID w/o Thermostat Pro	004307F	004307F	004307F	004307F
2-J	Ignition Control IID Nat.	004817B	004817B	004817B	004817B
	Ignition Control IID Pro.	004818B	004818B	004818B	004818B
3-J	Transformer 120/240/24V	006736F	006736F	006736F	006736F
4-J	Toggle Switch (MV Units)	650761	650761	650761	650761
5-J	Toggle Switch (IID & Dual MV Units)	650760	650760	650760	650760

*FOR ALTITUDES ABOVE 2,000 FEET LEVEL, CONSULT THE FACTORY

185B,265B,335B,405B

CALL OUT	DESCRIPTION	185B	265B	335B	405B
M	MISCELLANEOUS COMPONENTS				
1-M	Pressure Switch	062237B	062237B	062237B	062237B
2-M	Pressure Switch Tube Assy.	003272F	003272F	003272F	003272F
3-M	Thermostat Knob	006885F	006885F	006885F	006885F
4-M	Knobstop	006886F	006886F	006886F	006886F
5-M	Dial Plate MV Pilot CI	900748	900748	900748	900748
	Dial Plate MV Pilot CI Dual				900752F
	Dial Plate MV Pilot BR	900741	900741	900741	900741
	Dial Plate IID Pilot CI	900750	900750	900750	900750
	Dial Plate IID Pilot BR	900743F	900743F	900743F	900743F
6-M	PRV 125 PSI	008091F	011912F	011912F	011912F
7-M	Delimiting Kit	052871F	052871F	052871F	052871F
8-M	Wire/Harness STD	004415F	004415F	004415F	004415F
	Wire/Harness IID	004008F	004008F	004008F	004008F
P	PILOT				
1-P	Pilot Nat. MV	600525B	600525B	600525B	600525B
	Pilot Pro. MV	600575B	600575B	600575B	600575B
3-P	Pilot Nat. IID	002003F	002003F	002003F	002003F
	Pilot Pro. IID	002003F	002003F	002003F	002003F
5-P	Pilot Orifice Nat. MV	003901F	003901F	003901F	003901F
	Pilot Orifice Pro. MV	003902F	003902F	003902F	003902F
7-P	Pilot Orifice Nat. IID	003903F	003903F	003903F	003903F
	Pilot Orifice Pro. IID	004308F	004308F	004308F	004308F
9-P	Pilot Generator MV	600019B	600019B	600019B	600019B
12-P	Ignition Control IID Nat.	004817B	004817B	004817B	004817B
	Ignition Control IID Pro.	004818B	004818B	004818B	004818B
13-P	Pilot MTG Bracket MV	306693	306693	306693	306693
14-P	Pilot MTG Bracket IID	306692	306692	306692	306692
15-P	Lighter Tube (MV Units Only)	062996	062996	062996	062996
16-P	Pilot Tube	400607	400607	400607	400607
17-P	Hi Tension Wire IID	002654B	002654B	002654B	002654B
18-P	Pilot Shield	306674	306674	306674	306674
R	REFRACTORY				
1-R	Refractory Kit	004428F	004429F	004430F	004431F
2-R	Refractory Retainer Kit	001304F	001305F	001306F	001307F
S	SHEETMETAL				
1-S	Jacket Top	002066F	002067F	002068F	002069F
2-S	Flue Collector	002070F	002071F	002072F	002073F
3-S	Door Assy.	004398F	004399F	004400F	004401F
4-S	Access Panel Group	N/A	N/A	N/A	N/A
5-S	Control Panel MV Pilot	N/A	N/A	N/A	N/A
6-S	Control Panel IID Pilot	N/A	N/A	N/A	N/A
V	VENTING				
1-V	Stackless Top (Outdoor)	003711	003712	003713	003714
2-V	Draffhood (Indoor)	003724F	003725F	003726	003727
3-V	Outdoor Stack w/Adapter (Outdoor)	004302F	004303F	004304F	004305F
4-V	Outdoor Stack	N/A	N/A	N/A	N/A

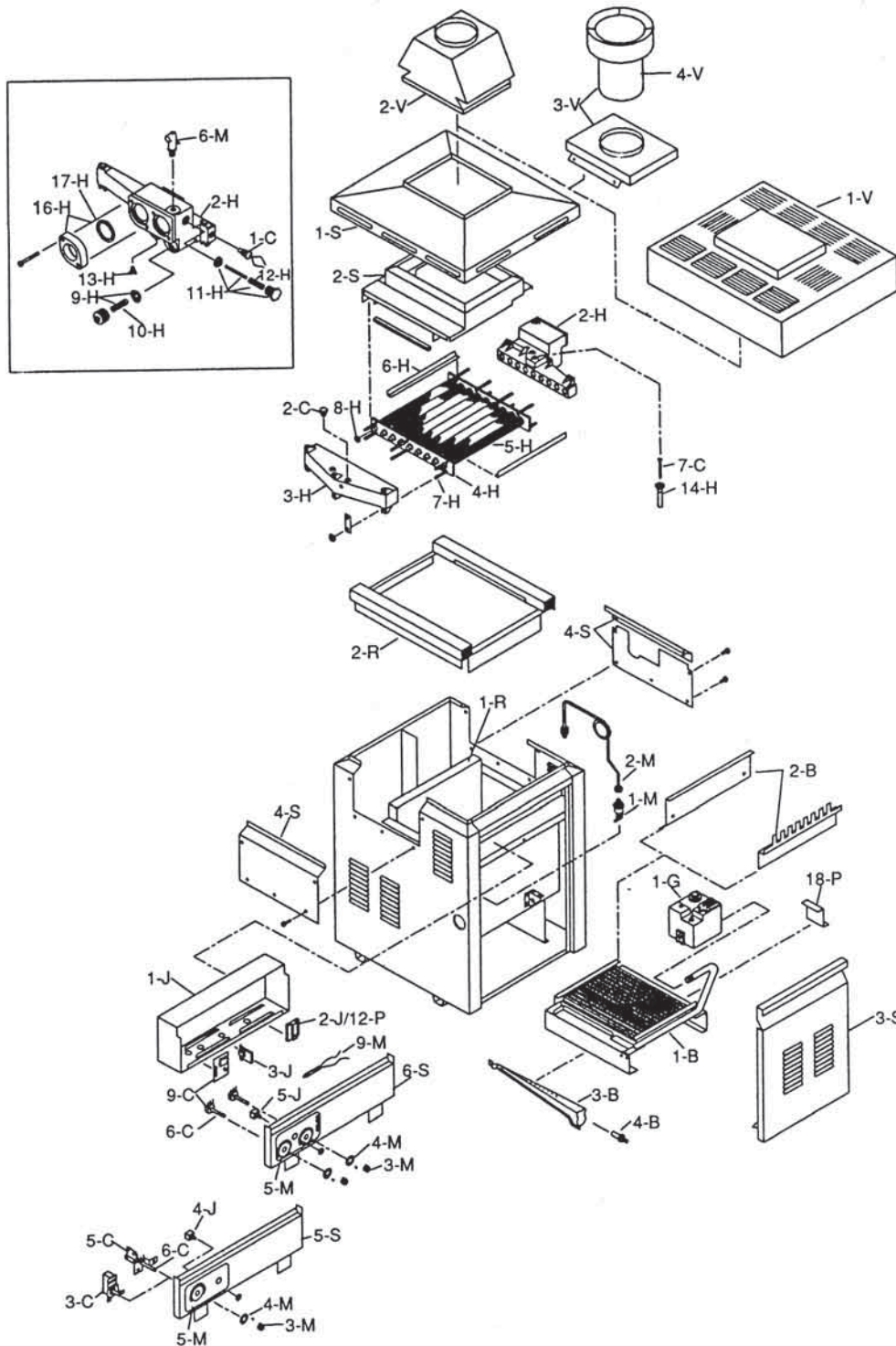
CONVERSION KITS**	185B	265B	335B	405B
Gas Conversions				
Nat. to Pro. MV Pilot	004690B	004690B	004692B	004692B
Pro. to Nat. MV Pilot	004691F	004691F	004693F	004693F
Nat. to Pro. IID Pilot	N/A	N/A	N/A	N/A
Pro. to Nat. IID Pilot	N/A	N/A	N/A	N/A
Thermostat Conversions MV Only				
Single Solid State to Dual Solid State	N/A	N/A	N/A	N/A
Single Mechanical Stat to Dual Solid State Stat	N/A	N/A	N/A	N/A

** Gas conversions are to be done only by a qualified agency.

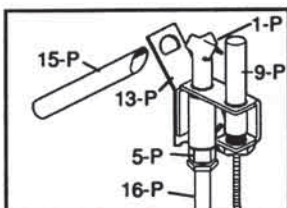
185B/C, 265B/C, 335B/C, 405B/C

DATE OF MANUFACTURE: 10-16-88 THRU 11-01-93

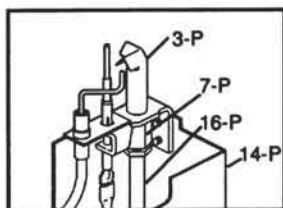
PARTS - RESIDENTIAL



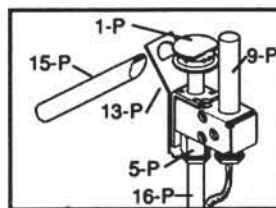
Reference
IPL 9100.552



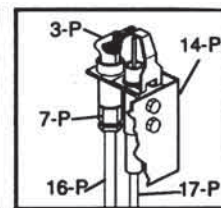
Robertshaw MV



Robertshaw IID



Honeywell MV



Honeywell IID

185B/C, 265B/C, 335B/C, 405B/C

CALL OUT	DESCRIPTION	185B/C	265B/C	335B/C	405B/C
B	BURNER TRAY				
1-B	Burner Tray w/Burners (Sea Level)*	004386F	004387F	004388F	004389F
	Burner Tray w/o Burner (Sea Level)*	004390F	004391F	004392F	004393F
	Burner Tray w/Gas Valve Nat. STG	004852F	004856F	004860F	004864F
	Burner Tray w/Gas Valve Pro. STG	004854F	004858F	004862F	004866F
	Burner Tray w/Gas Valve Nat. IID	004853F	004857F	004861F	004865F
	Burner Tray w/Gas Valve Pro. IID	004855F	004859F	004863F	004867F
2-B	Burner Spacer/Hold Down Kit	004394F	004395F	004396F	004397F
3-B	Burner	301210/12	301210/17	301210/21	301210/26
4-B	Burner Orifice Nat. #50 (Sea Level)*	350079/12	350079/17	350079/21	350079/26
	Burner Orifice Pro. #57 (Sea Level)*	350083/12	350083/17	350083/21	350083/26
C	CONTROLS				
1-C	High Limit 135 [∞]	600892B	600892B	600892B	600892B
2-C	High Limit 140 [∞]	600893B	600893B	600893B	600893B
3-C	Thermostat Control MV (Mechanical)	003346F	003346F	003346F	003346F
4-C	Thermostat Control MV (Solid State)	005391F	005391F	005391F	005391F
5-C	PC Board	005089B	005089B	005089B	005089B
6-C	Potentiometer	005087B	005087B	005087B	005087B
7-C	Temperature Sensor	005088B	005088B	005088B	005088B
8-C	Thermostat Control IID (Solid State)	005390F	005390F	005390F	005390F
9-C	PC Board	005086B	005086B	005086B	005086B
6-C	Potentiometer	005087B	005087B	005087B	005087B
7-C	Temperature Sensor	005088B	005088B	005088B	005088B
G	GAS VALVE				
1-G	Combination Valve - Nat. MV	003898F	003898F	003898F	003898F
	Combination Valve - Pro. MV	003899F	003899F	003899F	003899F
	Combination Valve - Nat. IID	003900F	003900F	003900F	003900F
	Combination Valve - Pro. IID	004306F	004306F	004306F	004306F
H	HEAT EXCHANGER				
1-H	Heat Exchange Assy. CI (Complete)	003752F	003753F	003754F	003755F
	Heat Exchange Assy. BR (Complete)	004052F	003756F	003757F	003758F
2-H	Inlet/Outlet Header CI	003759F	003759F	003759F	003759F
	Inlet/Outlet Header BR	003760F	003760F	003760F	003760F
3-H	Return Header CI	002450F	002450F	002450F	002450F
	Return Header BR	002451F	002451F	002451F	002451F
4-H	Tube Bundle	004671F	004672F	004673F	004674F
5-H	Heat Exchange Tube	002456F	002457F	002458F	002459F
6-H	Baffle Kit	001299F	001300F	001301F	001302F
7-H	Bolt Kit	001303F	001303F	001303F	001303F
8-H	Header Gasket	800014B	800014B	800014B	800014B
9-H	Unitherm Governor	062234B	062234B	062234B	062234B
10-H	U.G. Retainer Spring	850254	850254	850254	850254
11-H	Bypass Valve	062235B	062235B	062235B	062235B
12-H	Bypass Spring	850252	850253	850253	850253
13-H	Drain Valve	500719	500719	500719	500719
14-H	Sensor Well	003765F	003765F	003765F	003765F
15-H	Well Retaining Clip	300203	300203	300203	300203
16-H	Inlet & Outlet Flange	003766F	003766F	003766F	003766F
17-H	Flange Gasket 1 1/2" Connections	062236B	062236B	062236B	062236B
	Flange Gasket 2" Connections	800080B	800080B	800080B	800080B
J	J BOX/CONTROL BOX				
1-J	Control Box IID w/o Thermostat Nat.	005056F	005056F	005056F	005056F
	Control Box IID w/o Thermostat Pro.	005057F	005057F	005057F	005057F
2-J	Ignition Control IID Nat.	004817B	004817B	004817B	004817B
	Ignition Control IID Pro.	004818B	004818B	004818B	004818B
3-J	Transformer 120/240/24V	006736F	006736F	006736F	006736F
4-J	Toggle Switch (MV Units)	650761	650761	650761	650761
5-J	Toggle Switch (IID & Dual MV Units))	650760	650760	650760	650760

*FOR ALTITUDES ABOVE 2,000 FEET LEVEL, CONSULT THE FACTORY

185B/C, 265B/C, 335B/C, 405B/C

CALL OUT	DESCRIPTION	185B/C	265B/C	335B/C	405B/C
M	MISCELLANEOUS COMPONENTS				
1-M	Pressure Switch	062237B	062237B	062237B	062237B
2-M	Pressure Switch Tube Assy.	003272F	003272F	003272F	003272F
3-M	Thermostat Knob	006885F	006885F	006885F	006885F
4-M	Knobstop	006886F	006886F	006886F	006886F
5-M	Dial Plate MV Pilot CI	900748	900748	900748	900748
	Dial Plate MV Pilot CI Dual				900752
	Dial Plate MV Pilot BR	900741	900741	900741	900741
	Dial Plate IID Pilot CI	900942F	900942F	900942F	900942F
	Dial Plate IID Pilot BR	900941F	900941F	900941F	900941F
6-M	PRV 125 PSI	008091F	007224F	007224F	007224F
7-M	Deliming Kit	052871F	052871F	052871F	052871F
8-M	Wire/Harness STD	004415F	004415F	004415F	004415F
	Wire/Harness IID	005058F	005058F	005058F	005058F
9-M	Indicator Light	005064B	005064B	005064B	005064B
P	PILOT				
1-P	Pilot Nat. MV	600525B	600525B	600525B	600525B
	Pilot Pro. MV	600575B	600575B	600575B	600575B
3-P	Pilot Nat. IID	002003F	002003F	002003F	002003F
	Pilot Pro. IID	002003F	002003F	002003F	002003F
5-P	Pilot Orifice Nat. MV	003901F	003901F	003901F	003901F
	Pilot Orifice Pro. MV	003902F	003902F	003902F	003902F
7-P	Pilot Orifice Nat. IID	003903F	003903F	003903F	003903F
	Pilot Orifice Pro. IID	004308F	004308F	004308F	004308F
9-P	Pilot Generator MV	600019B	600019B	600019B	600019B
12-P	Ignition Control IID Nat.	004817B	004817B	004817B	004817B
	Ignition Control IID Pro.	004818B	004818B	004818B	004818B
13-P	Pilot MTG Bracket MV	306693	306693	306693	306693
14-P	Pilot MTG Bracket IID	306692	306692	306692	306692
15-P	Lighter Tube (MV Units Only)	062996	062996	062996	062996
16-P	Pilot Tube	004078F	004078F	004078F	004078F
17-P	Hi Tension Wire IID	002654B	002654B	002654B	002654B
18-P	Pilot Shield	306674	306674	306674	306674
R	REFRACTORY				
1-R	Refractory Kit	004428F	004429F	004430F	004431F
2-R	Refractory Retainer Kit	001304F	001305F	001306F	001307F
S	SHEETMETAL				
1-S	Jacket Top	002066F	002067F	002068F	002069F
2-S	Flue Collector	002070F	002071F	002072F	002073F
3-S	Door Assy.	004398F	004399F	004400F	004401F
4-S	Access Panel Group	004403F	004403F	004403F	004403F
5-S	Control Panel MV Pilot	004406F	004407F	004408F	004409F
6-S	Control Panel IID Pilot	005059F	005060F	005061F	005062F
V	VENTING				
1-V	Stackless Top (Outdoor)	003711	003712	003713	003714
2-V	Draffhood (Indoor)	003724F	003725F	003726	003727
3-V	Outdoor Stack w/Adapter (Outdoor)	004302F	004303F	004304F	004305F
4-V	Outdoor Stack	951019F	951020F	951021F	951022F

CONVERSION KITS**	185B/C	265B/C	335B/C	405B/C
Gas Conversions				
Nat. to Pro. MV Pilot	004690B	004690B	004692B	004692B
Pro. to Nat. MV Pilot	004691F	004691F	004693F	004693F
Nat. to Pro. IID Pilot	N/A	N/A	N/A	N/A
Pro. to Nat. IID Pilot	N/A	N/A	N/A	N/A
Thermostat Conversions MV Only				
Single Solid State to Dual Solid State	004404F	004404F	004404F	004404F
Single Mechanical Stat to Dual Solid State Stat	004932F	004932F	004932F	004932F

** Gas conversions are to be done only by a qualified agency.