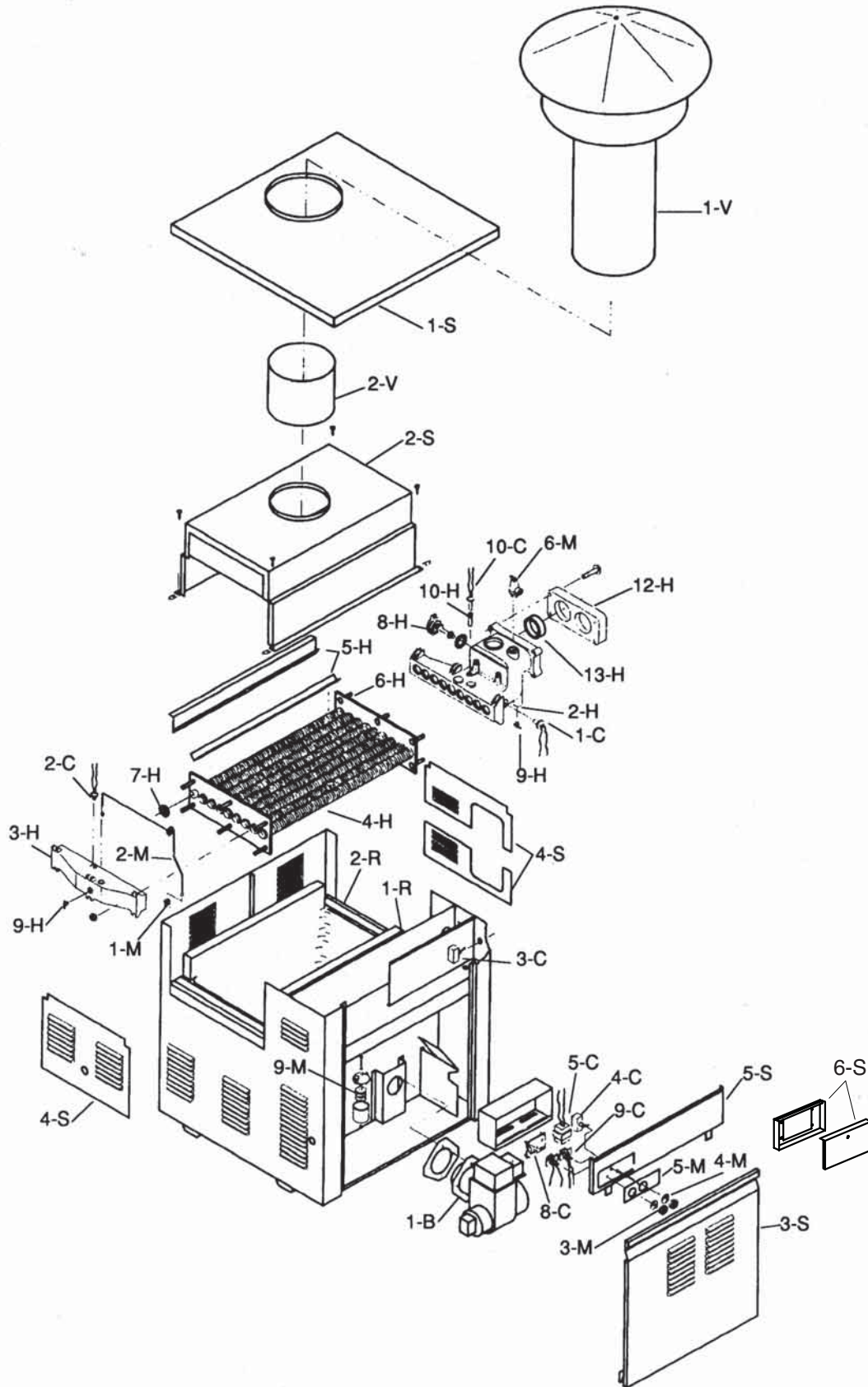


315A-OIL FIRED

DATE OF MANUFACTURE: 01-01-90 THRU 12-01-98



Reference
IPL 9100.95

PARTS - RESIDENTIAL

315A-OIL FIRED

PARTS - RESIDENTIAL

CALL OUT	DESCRIPTION	315A
B	BURNER (OIL)	
1-B	Burner w/Elec. Ignition*	004729F
C	CONTROLS	
1-C	High Limit 135°F	600892B
2-C	High Limit 140°F	600893B
3-C	Main Power On/Off Switch SPST	008079F
4-C	Thermostat On/Off/On Switch SPDT	650760
5-C	Transformer	006533F
6-C	Manual Reset Thermostat (Not Shown)	006035F
7-C	Thermostat Control IID (Solid State)	005390F
8-C	PC Board	005086B
9-C	Potentiometer	005087B
10-C	Temperature Sensor	005088B
H	HEAT EXCHANGER	
1-H	Heat Exchanger (Complete)	004731F
2-H	Inlet/Outlet Header	004732F
3-H	Return Header	004733F
4-H	Tube Bundle	004734F
5-H	Baffle Kit	004735F
6-H	Bolt Kit	001051F
7-H	Header Gasket	800086B
8-H	Unitherm Governor	002475F
9-H	Drain Valve	500834
10-H	Sensor Well	007211F
11-H	Well Retainer Clip	300203
12-H	Inlet/Outlet Flange	004736F
13-H	Flange Gasket 1-1/2"	062236B
	Flange Gasket 2" Connections	800080B
M	MISCELLANEOUS COMPONENTS	
1-M	Pressure Switch	062237B
2-M	Pressure Switch Tube Assembly	003272F
3-M	Thermostat Knob	006885F
4-M	Knobstop	006886F
5-M	Dialplate	900750
6-M	PRV 125 PSI	011912F
7-M	Wire/Harness	N/A
8-M	Demining Kit	052870F
9-M	Oil Filter Cartridge	004739F
R	REFRACTORY	
1-R	Refractory/Chamber	004740F
2-R	Refractory Chamber Retainer	004741F
S	SHEETMETAL	
1-S	Jacket Top	004742F
2-S	Flue Collector	004743F
3-S	Door Assembly	004744F
4-S	Access Panel Group	004745F
5-S	Control Panel	004746F
6-S	Poolstat Cover/Lock Box	006492
V	VENTING	
1-V	Outdoor Stack 9"	004719
2-V	Inner Flue Sleeve 8"	004747F

*For Individual Burner Parts Consult Burner Manufacturer.