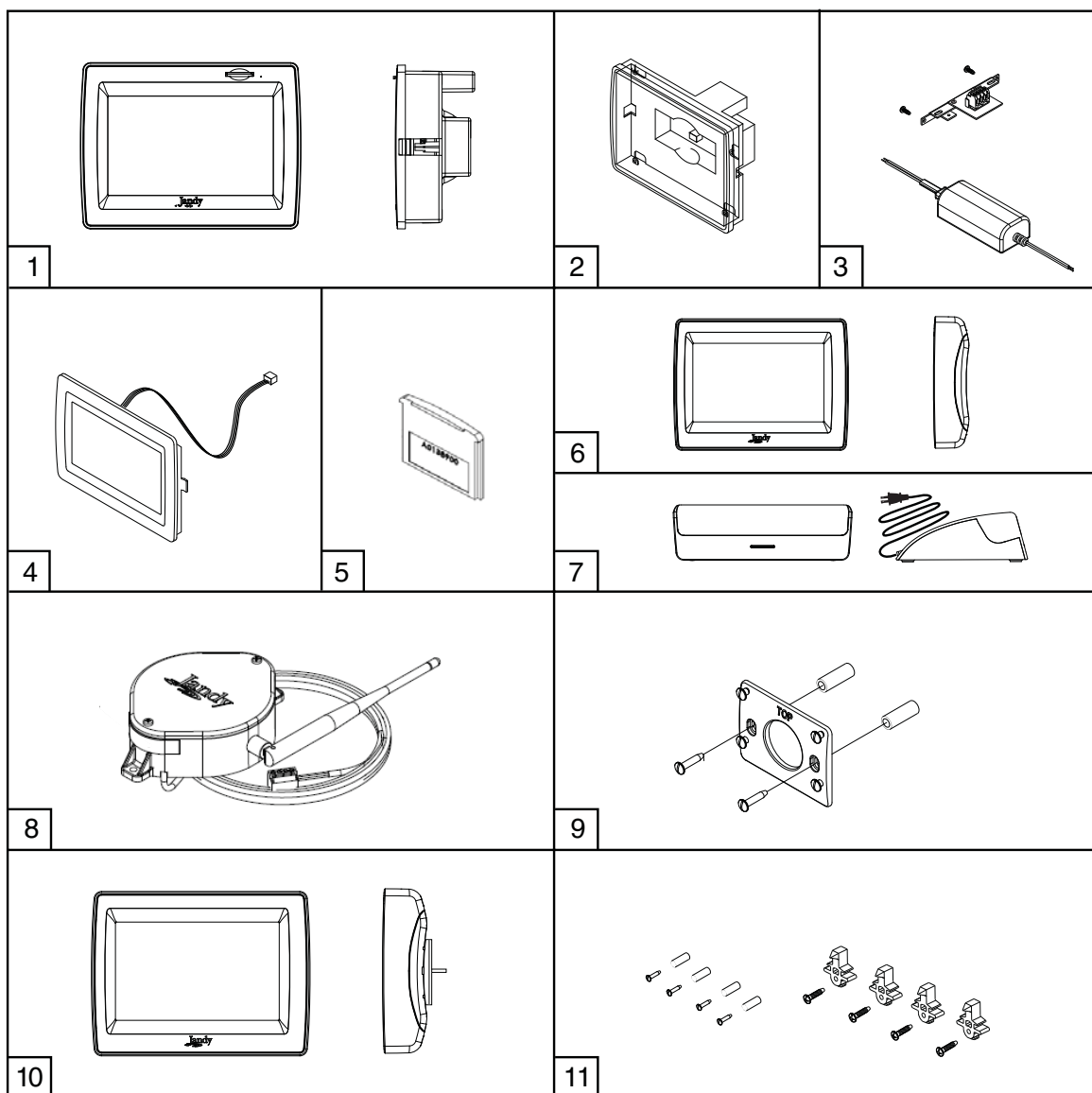


AquaLink® Touch™ Replacement Parts

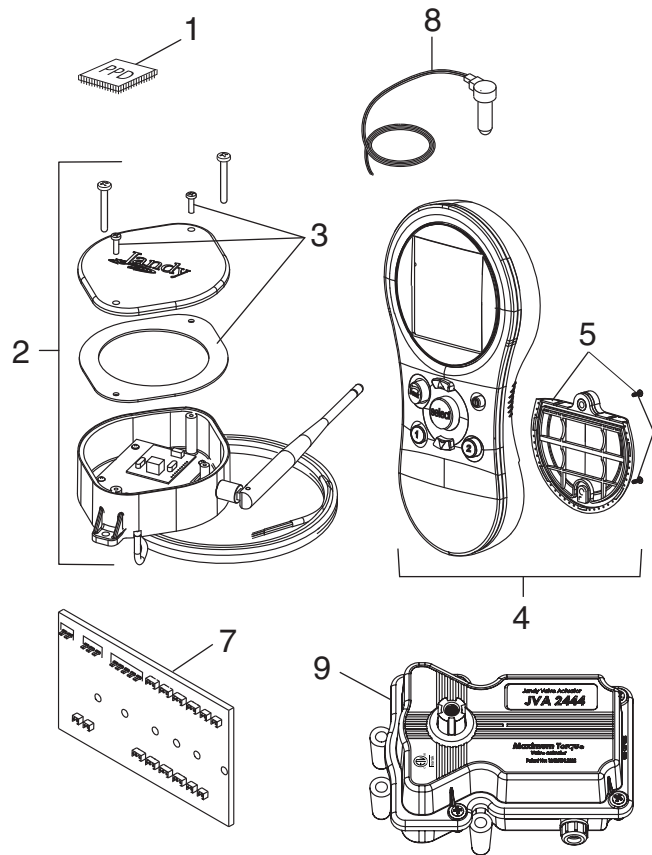


Key No.	Part No.	Description	List Price
1	R0497400	Control Panel Complete, Wired Flush Mount, AquaLink Touch, R-Kit	\$1,070.00
2	R0497500	Back Housing W/ RS485 PCB, Wired, Flush Mount, AquaLink Touch, R-Kit	\$117.78
3	R0497600	Power Booster, Wired, Flush Mount, AquaLink Touch, R-Kit	\$107.06
4	R0497700	Front PCB w/Face Frame, Wired, Flush Mount, AquaLink Touch R-Kit	\$963.60
5	R0497800	XD Card, Blank, AquaLink Touch R-Kit	\$5.25
6	R0497900	Control Panel Complete, Wireless, AquaLink Touch R-Kit	\$1,498.92
7	R0498000	Charging Base Complete, Wireless, AquaLink Touch R-Kit	\$374.74
8	R0498100	J-Box Transceiver, Wireless, AquaLink Touch R-Kit	\$524.62
9	R0522600	Bracket w/Screws, Wired Surface Mount, AquaLink Touch R-Kit	\$35.00
10	R0522700	Control Panel Complete, Wired Surface Mount, AquaLink Touch R-Kit	\$1,070.67
11	R0522800	Screw Kit, AquaLink Touch R-Kit (Wired Units)	\$17.12

PDA Replacement Parts

Key No.	Part No.	Description	List Price
1	R0442800	PPD, PDA-P4	\$324.70
1	R0442900	PPD, PDA-P8	\$909.12
1	R0443000	PPD, PDA-PS4	\$405.88
1	R0443100	PPD, PDA-PS6	\$860.45
1	R0443200	PPD, PDA-PS8	\$1,315.01
2	R0441900	PDA Outdoor J-Box w/ Transmitter	\$473.26
3	R0443300	Gasket/Screws (2), J-Box	\$10.62
4	R0441800	PDA Handheld w/ Batteries*	\$473.26
5	R0443400	Battery Door/Seal/Screws (2), Handheld	\$9.86
6	R0443500	Screws (2), Handheld	\$6.08
7	8194	PCB Rev. A Repair Kit, AquaLink® RS Primary Power Center, 52 pin	\$1,347.37
8	7790	Temperature Sensor Kit	\$86.99
9	4424	Jandy Valve Actuator, 24V	\$192.82

*Can have more than one (1) PDA per AquaLink PDA system, however remotes will not work simultaneously.



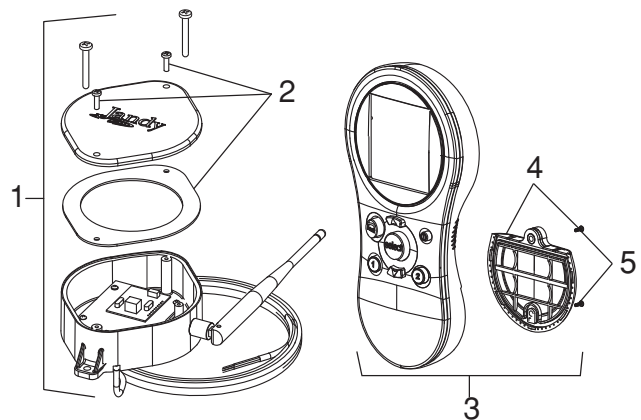
PDA Upgrade Kits

Part No.	Description	List Price
R0473200	PDA Upgrade Kit, P&S 4 (PPD, Handheld, & Jbox)	\$1,006.87
R0473300	PDA Upgrade Kit, P&S 6 (PPD, Handheld, & Jbox)	\$1,006.87
R0473400	PDA Upgrade Kit, P&S 8 (PPD, Handheld, & Jbox)	\$1,006.87
R0473500	PDA Upgrade Kit, PorS 4 (PPD, Handheld, & Jbox)	\$1,006.87
R0473600	PDA Upgrade Kit, PorS 8 (PPD, Handheld, & Jbox)	\$1,006.87

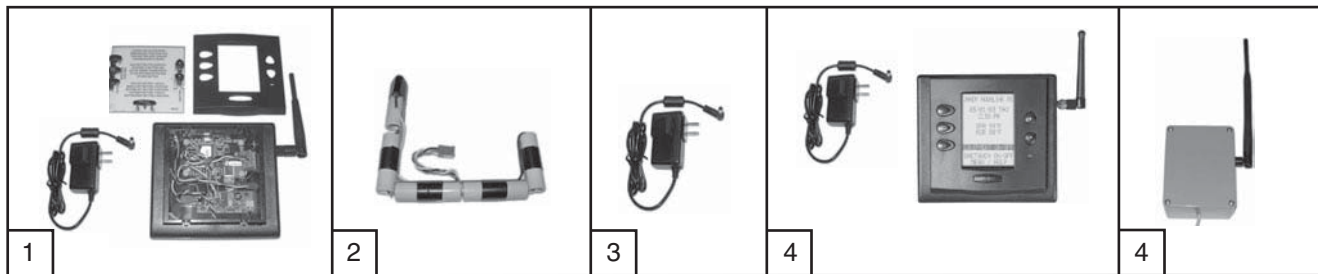
AquaPalm™ Replacement Parts

Key No.	Part No.	Description	List Price
1	R0441900	AquaPalm Outdoor J-Box w/ Transmitter	\$473.26
2	R0443300	Gasket/Screws (2), J-Box	\$10.62
3	R0444300	AquaPalm Handheld w/ Batteries	\$459.47
4	R0443400	Battery Door/Seal/Screws (2), Handheld	\$9.86
5	R0443500	Screws (2), Handheld	\$6.08

*Can have more than one (1) AquaPalm per AquaLink RS system, however remotes will not work simultaneously.



Rechargeable Wireless OneTouch™



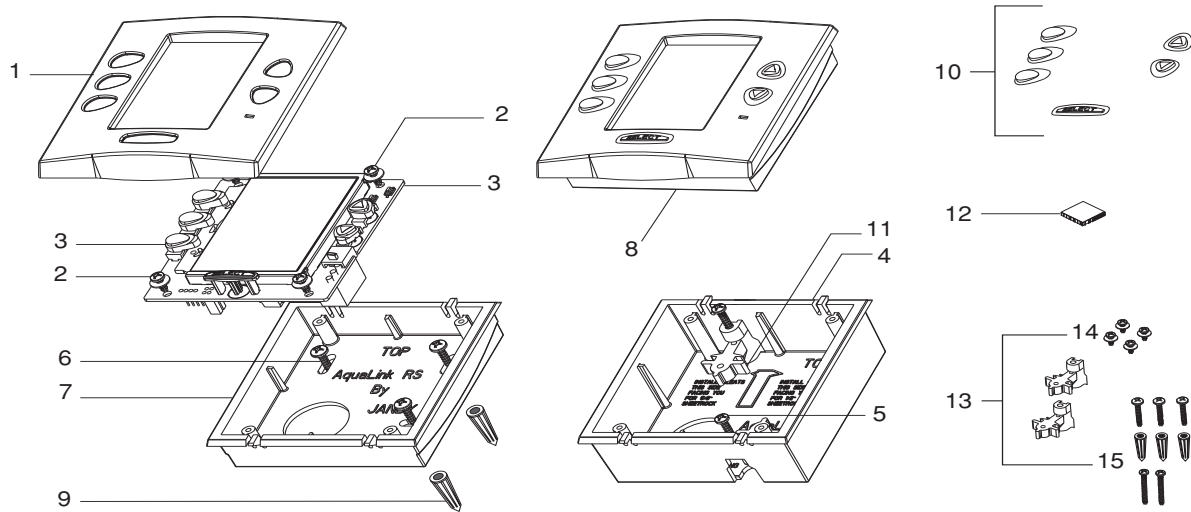
Key No.	Part No.	Description	List Price
1	R0560100	Wireless Indoor Desktop Kit (Does not include OneTouch™ PCB)	\$893.91
2	R0560000	Battery Pack	\$123.60
3	R0560200	Wireless Power Supply Charger Kit	\$160.06
4	8227	Additional Portable Wireless Control Panel (with recharging circuitry and OneTouch PCB)	\$1,000.00
5	8241	Wireless Outdoor J-box Kit	\$827.98

Old Style Wireless Replacement Parts

8114, 8115, 8113, 8131, 8133 and 8134 no longer available. Please use new rechargeable wireless replacement parts listed above.

Note: If replacing an old indoor desktop or an outdoor J-box, both units must be changed to the new "Rechargeable Wireless" style.

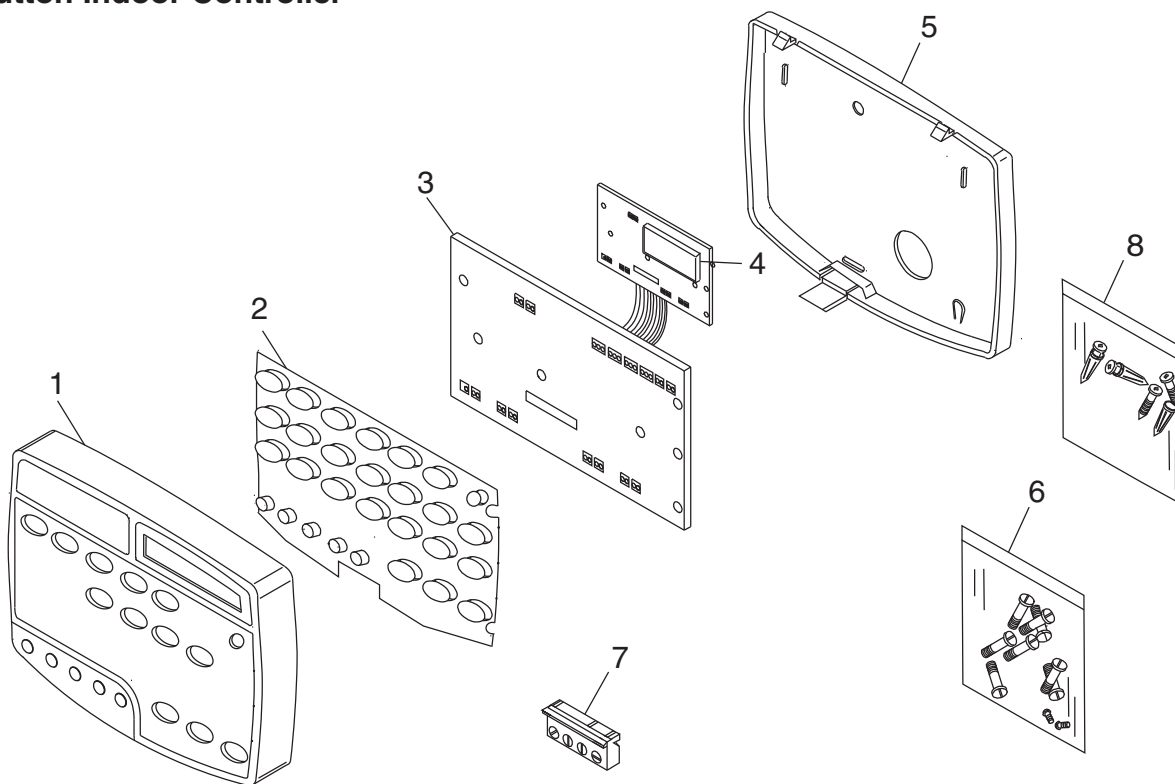
OneTouch™ Control Panel



Key No.	Part No.	Description	List Price
1	R0550100	OneTouch, Faceplate Only, White	\$20.46
1	R0550200	OneTouch, Faceplate Only, Black	\$20.46
1	R0550300	OneTouch, Faceplate Only, Satin Chrome	\$62.68
1	R0550400	OneTouch, Faceplate Only, Polished Chrome	\$62.68
1	R0550500	OneTouch, Faceplate Only, Satin Brass	\$71.63
1	R0550600	OneTouch, Faceplate Only, Polished Brass	\$71.63
2	N/A	Screw, #6 x 3/8" Phillips Pan Head, Type BT (Purchase Kit #R0551200)	—
2	N/A	Washer, Buna N, 3/8" OD (Purchase Kit #R0551200)	—
3	R0550700	PCB Subassembly w/ White Buttons and LCD	\$621.00
3	R0550800	PCB Subassembly w/ Black Buttons and LCD	\$621.00
4	R0550900	Housing, Flush Mount, White	\$44.32
5	N/A	Screw, #6 x 1" Phillips Pan Head, Type A (Purchase Kit #R0551300)	—
6	N/A	Screw, #8 x 5/8" Philips PN T-A (Purchase Kit #R0551300)	—
7	R0551000	Housing, Surface Mount, White	\$40.51
7	R0551100	Housing, Surface Mount, Black	\$40.51
8	7953	OneTouch Control Panel, Complete, Surface and Flush Mount, White	\$747.32
9	7954	OneTouch Control Panel, Complete, Surface and Flush Mount, Black	\$747.32
9	N/A	Screw Anchor, Sheet Rock (Purchase Kit #R0551300)	—
10	R0551400	Replacement Buttons, OneTouch, White	\$32.42
10	R0551500	Replacement Buttons, OneTouch, Black	\$32.42
11	N/A	Cleat, Flush Mount Sheet Rock Fastener (Purchase Kit #R0551300)	—
12	R0410200	OneTouch Controller Chip	\$69.26
13	7952	Mount Kit, RS Controller (Includes 1x Part #R0551200, 1x Part #R0551300, 2x Part #7694)	\$17.97
14	R0551200	PCB Screw Kit, OneTouch (Includes 4x Part #2224, and 4x Part #4862)	\$10.66
15	R0551300	Housing Screw Kit, OneTouch (Includes 2x Part #3279, 3x Part #1325, and 3x Part #4027)	\$13.65
N/S	R0551800	Service Controller, One Touch w/ 10 ft. Cable and Connector	\$588.33
N/S	R0467100	Wire Harness w/ RJ10 Connector, Service Controller	\$30.17

N/S - Not Shown N/A - Not Available

All Button Indoor Controller

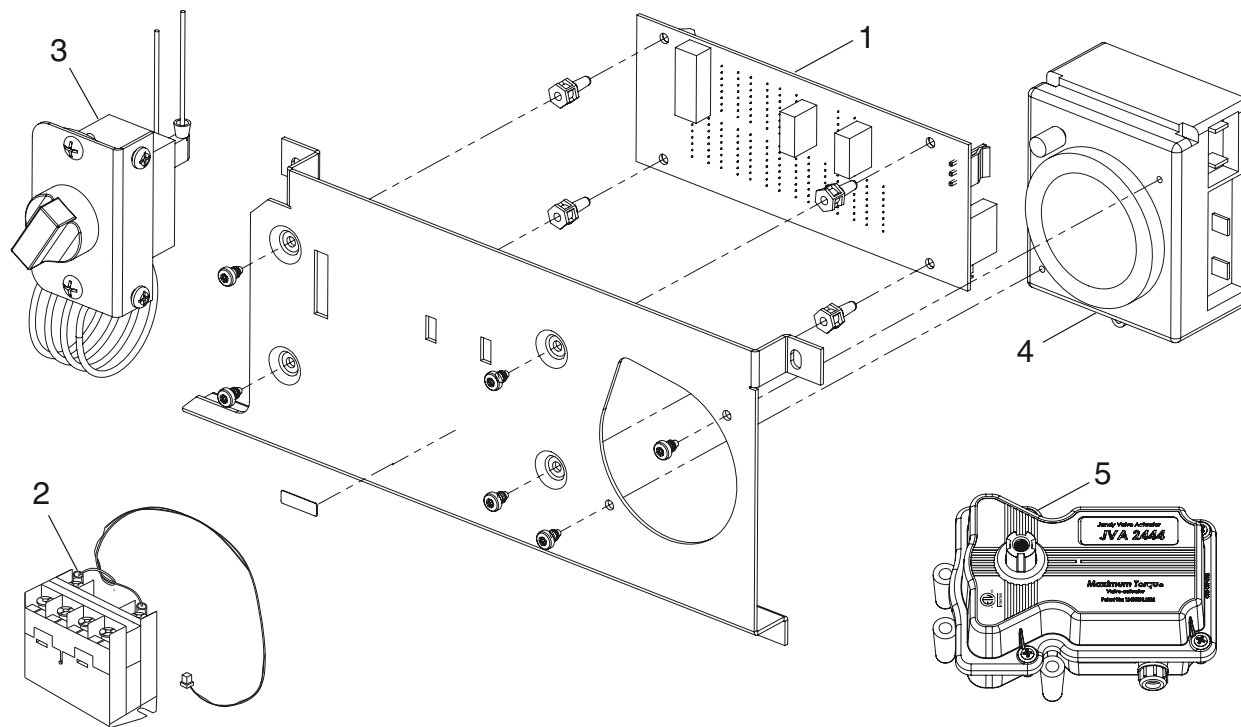


Key No.	Part No.	Description	List Price
1	6893	Controller Housing w/ decals, Front RS 8 Combo	\$179.09
1	6894	Controller Housing w/ decals, Front RS 8 Only	N/A
1	6895	Controller Housing w/ decals, Front RS 6 Combo	\$134.75
1	6896	Controller Housing w/ decals, Front RS 6 Only	\$134.75
1	6897	Controller Housing w/ decals, Front RS 4 Combo	\$112.57
1	6898	Controller Housing w/ decals, Front RS 4 Only	N/A
1	6899	Controller Housing w/ decals, Front RS 2/6 Dual Equipment	\$141.57
1	7434	Controller Housing w/ decals, Front RS 16 Combo	N/A
1	7436	Controller Housing w/ decals, Front RS 12 Combo	N/A
2	6546	Key Pad, AquaLink® RS Controller	\$90.41
3	6475LED4	P.C.B., AquaLink RS Controller	\$716.33
4	6803	L.C.D. Display - w/ cable	\$269.46
5	6544	Controller Housing, Back	\$80.15
6	6847	Screw Kit, PCB Mounting	\$35.83
7	6609	Terminal Bar, 4 Pin, Red	\$34.80
8	N/A	Screw Kit, Controller Mount (Not Available Separately) use Kit #6578	—
N/S	6578	Controller Mounting Kit (including Aux. Decals, Battery, Mounting Screws)	\$11.51
N/S	6781	Decals, Auxiliary Equipment Labels	\$22.59
N/S	7057	Service Controller, All Button w/ 10 ft. cable & connector	\$311.57

N/S - Not Shown N/A - Not Available

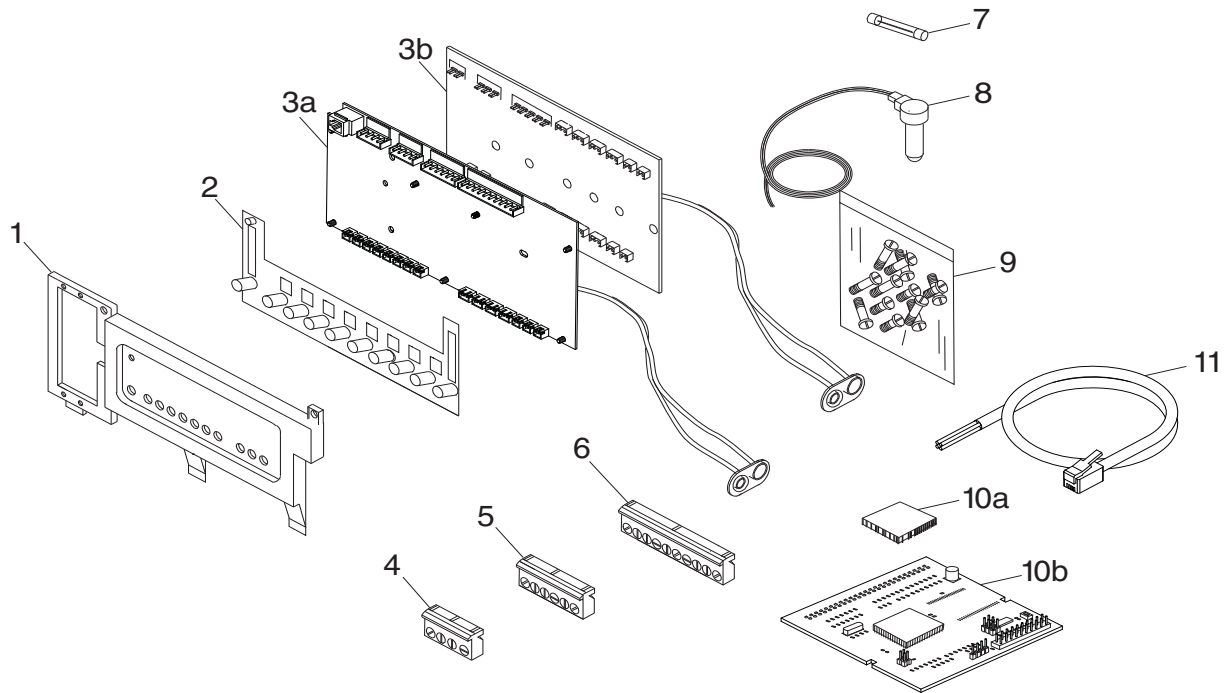
Pool Link Dual Timer Module

Part# PLINK



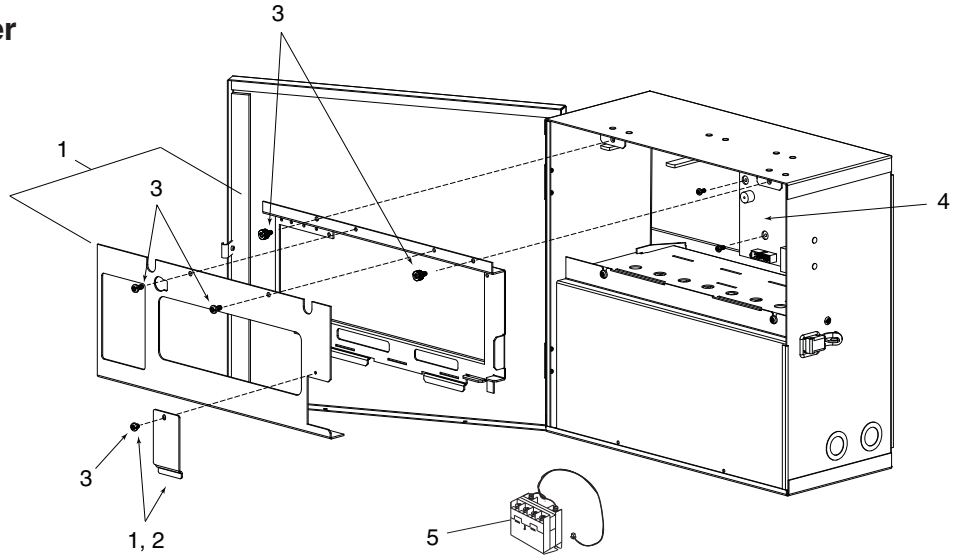
Key No.	Part No.	Description	List Price
1	R0450000	PCB, Pool Link	\$183.64
2	R0658100	3 HP Relay Kit	\$78.08
3	R0449900	Freeze Sensor Kit	\$127.81
4	7152	24 Hour Time Clock Kit	\$125.94
5	4424	JVA, 24 VAC (optional)	\$192.82

Power Center Printed Circuit Board and Bezel Parts - Low Voltage



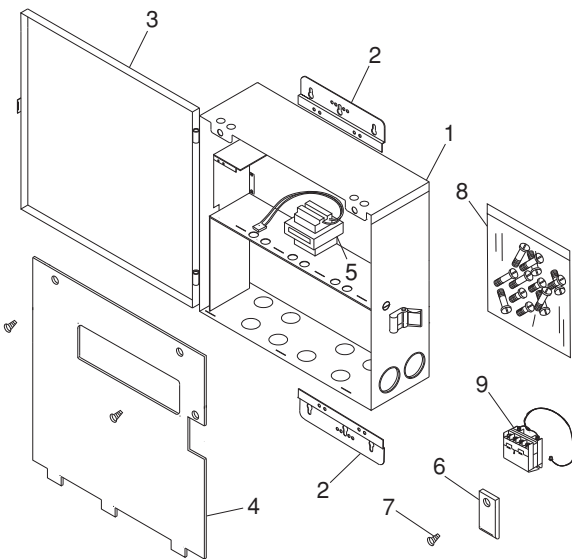
Key No.	Part No.	Description	List Price
1	R0468300	Bezel, Primary Power Center, RS 4, 6, 8, 12, 16, 24, 32 w/ decal (New style)	\$134.75
1	R0468400	Bezel, Primary Power Center, RS 2/30, 2/22, 2/14, 2/10, 2/6 Dual w/ decal (New style)	\$134.75
1	7440	Bezel, Auxiliary Power Center, RS 12, 16, 24, 32, 2/10, 2/14, 2/22, 2/30 w/ decal	\$223.45
2	6576	Key Pad, RS Power Center	\$90.37
3a	R0466700	PCB, R-Kit, RS Primary, Power Center, 50 pin CPU PCB (Revision N or later) (E02606)	\$1,271.70
3a	R0466700R	PCB Rebuilt, R-Kit, RS Primary, Power Center, 50 pin CPU PCB (Revision N or later) (E02606)	Call for Quote
3b	7074	PCB, R-Kit, RS Primary Power Center, REV I, 44 pin (for firmware Rev A to Rev I, PPD chip not included)	\$1,347.37
3b	8194	PCB, R-Kit, RS Primary Power Center, REV A, 52 pin (for firmware Rev J to MMM, Rev. 2.6 or later PPD chip not included)	\$1,347.37
3b	7306	PCB R-Kit, RS Auxiliary Power Center w/ Micro Controller (for secondary Power Center)	\$1,023.34
4	6609	Terminal Bar, 4-Pin, Red	\$34.80
5	6547	Terminal Bar, 6-Pin, Brown	\$31.55
6	6610	Terminal Bar, 10-Pin, Green (Use #6610+)	SEE #6610+
7	6658	Fuse, 3.15 Amp (N/A)	USE LOCAL SOURCE
8	7790	Temperature Sensor Kit, Gray (Air/Water/Solar) 15'	\$86.99
9	6847	Screw Kit, PCB Mounting	\$35.83
10a	VARIOUS	PPD's, refer to AquaLink® RS Power Center Revision I and M Firmware	—
10b	VARIOUS	CPU PCB's, refer to AquaLink RS Power Center Revision N Firmware	—
11	R0467100	Wire Harness w/ RJ10 Connector, RS Service Controller	\$30.17
N/S	3814	Chip, Relay Driver	\$13.65
N/S	6781	Decal Set, Auxiliary Equipment Labels	\$22.59
N/S	6586	Dual Heater Interface Board	\$85.70
N/S	6996	Freeze Protection Kit (for RS 2/6 w/ Solar option)	\$260.78
N/S	6918	Screw Kit, Bezel to Sheet Metal Power Center	\$22.59

Foundation Power Center Part# 6612F



Key No.	Part No.	Description	List Price
1	R0467700	Bezel Cover Kit	\$108.74
2	R0447300	Battery Door Kit	\$30.94
3	R0467800	Screw Kit	\$35.83
4	R0466400	Transformer, 120V	\$134.75
5	R0658100	3 HP Relay	\$78.08

Power Center - Standard Enclosure Part# 6613

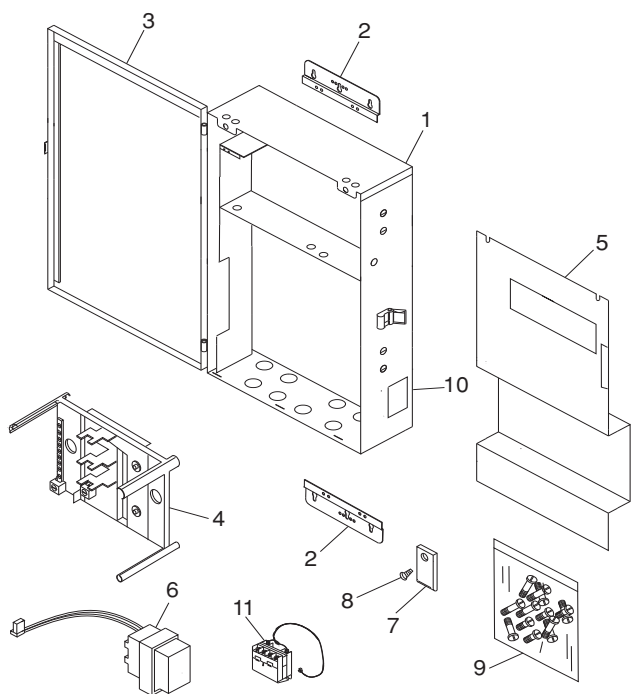


Key No.	Part No.	Description	List Price
1	6613	Standard Enclosure, RS Power Center	\$605.52
2	6567	Mounting Brackets, RS Power Center	\$7.97
3	6563	Door, Standard Enclosure	\$156.91
4	6566	Faceplate, Standard Enclosure, Before 1/08 Use #R0466900	N/A
4	R0466900	Faceplate, Standard Enclosure, w/ Service Controller Knockout, 10/07 Models or Later	\$106.19
5	R0466400	Transformer, 120V	\$134.75
6	6721	Battery Door	\$31.55
7	6559	Screw, RS Battery Door	\$1.29
8	6918	Screw Set, Bezel/Relay Mount	\$22.59
9	R0658100	3 HP Relay w/ Harness	\$78.08
N/S	6967	Transformer, 240V, 50/60 Hz Export	\$127.93

N/S - Not Shown N/A - Not Available

Power Center - Sub Panel Enclosure Breaker Mount Plate (Prior to October 1, 2009)

Part# 6614 Discontinued



Key No.	Part No.	Description	List Price
1	6614	Sub Panel Power Center, RS	N/A use 6614-LD
2	6567	Mounting Brackets, Power Center	\$7.97
3	6931	Door, Sub Panel Power Center, RS	N/A
4	6929	Breaker Mount Plate, base (Intermatic #124T2087A)	\$112.57
5	6932	Faceplate, Sub Panel, Before 1/08	\$112.57
5	R0467000	Faceplate Bezel, Sub Panel, w/ Service Controller Knockout, 10/07 Models or Later	\$106.19
6	R0466400	Transformer, 120V	\$134.75
7	6721	Battery Door	\$31.55
8	6559	Screw, Battery Door	\$1.29
9	6918	Screw Set, Bezel/Relay Mount	\$22.59
10	6070	GFCI Outlet (Optional)	\$100.48
11	R0658100	3 HP Relay w/ Harness	\$78.08
N/S	6967	Transformer, 240V, 50/60 Hz Export	\$127.93

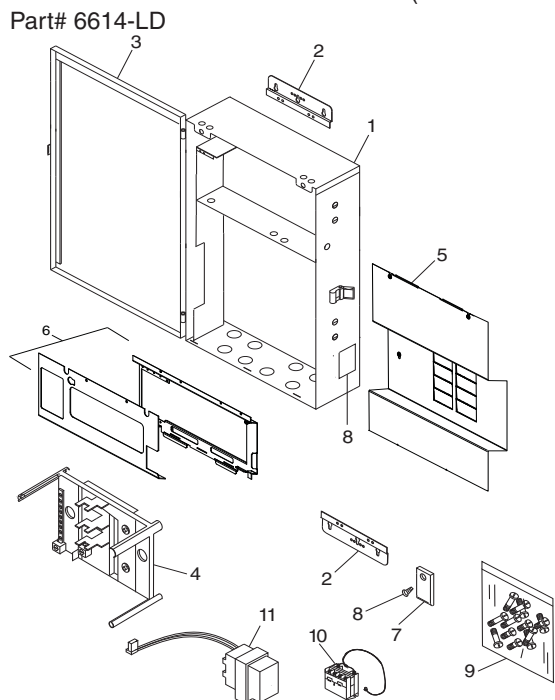
N/S- Not Shown N/A- Not Available

Suggested Circuit Breakers (Available Locally)

Manufacturer	Single	Double	Twin	Quad	GFCB	Filler Plate
Cutler-Hammer	BR	BR	BRD	BRD	GFCB	BRFP
Murray	MP-T	MP-T	MH-T	MH-T	MP-GT	LX100FP
Siemens	QP	QP	QT	QT	QPF	QF3
Square D	HOM	HOM	HOMT	HOMT	HOM	HOMFP
Thomas & Betts	TB	TB	TBBD	TBBQ	GFB	FP-1C-TB

Power Center - Sub Panel Enclosure w/ base Breaker Mount Plate (After October 1, 2009)

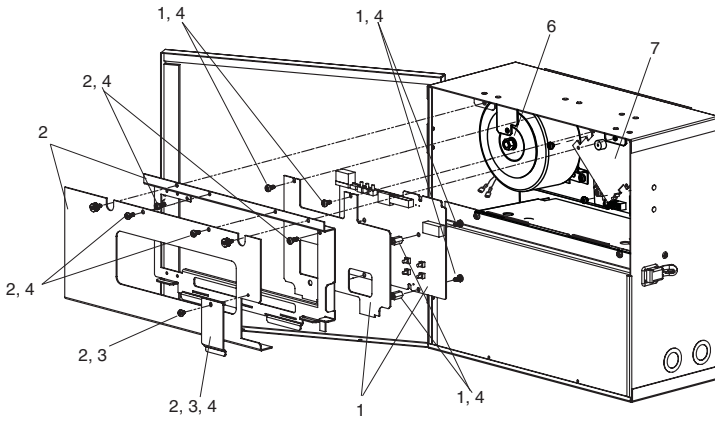
Part# 6614-LD



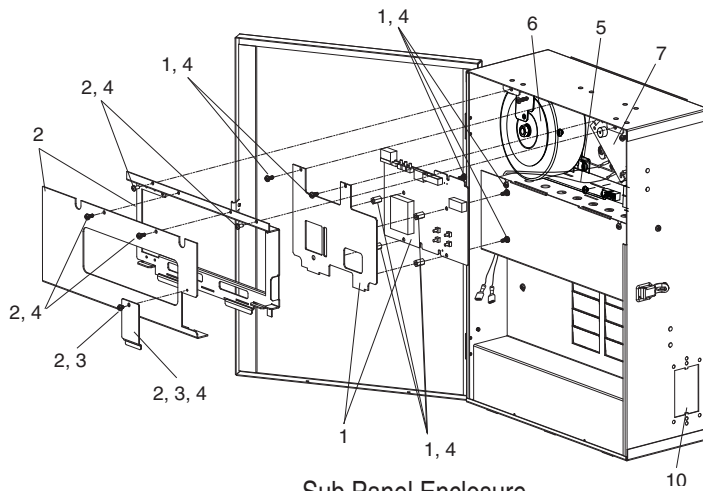
Key No.	Part No.	Description	List Price
1	6614-LD	Sub Panel Power Center, RS	\$745.28
2	6567	Mounting Brackets, Power Center	\$7.97
3	R0561800	Door, Sub Panel Power Center, RS	\$167.26
4	R0561900	Breaker Mount Plate, base	\$116.71
5	R0562000	Faceplate Dead Panel, Sub Panel, 12 Breakers	\$112.57
6	R0562100	Faceplate Bezel Panel, Sub Panel w/ Service Knockout	\$106.19
7	R0447300	Battery Door Kit	\$30.94
8	6070	GFCI Outlet (Optional)	\$100.48
8	6559	Screw, Battery Door	\$1.29
9	6918	Screw Set, Bezel/Relay Mount	\$22.59
10	R0658100	3 HP Relay w/ Harness	\$78.08
N/S	6967	Transformer, 240V, 50/60 Hz, Export	\$127.93
11	R0466400	Transformer, 120V	\$134.75

N/S- Not Shown

PureLink™ Power Centers (Large Front Style PCB prior to 1/08)



Standard Enclosure
Part# 6613AP, 6613AP
PCB Old Style



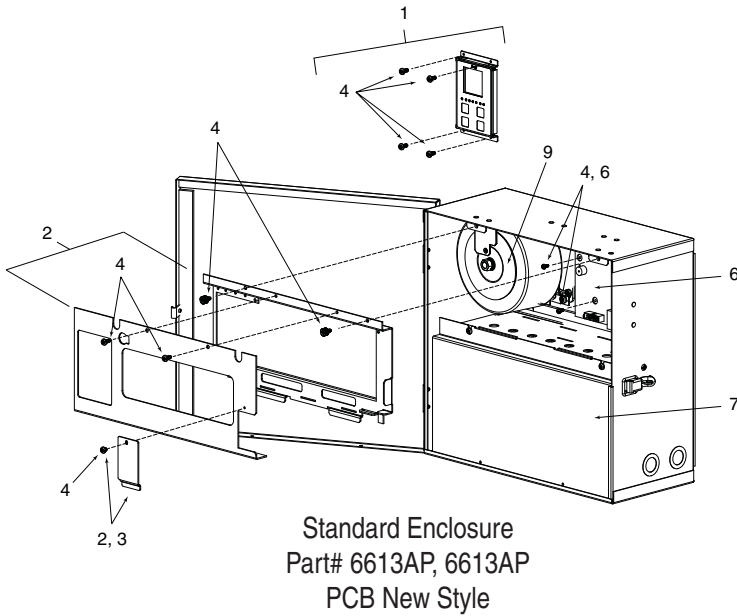
Sub Panel Enclosure
Part# 6614AP, 6614AP
PCB Old Style

Key No.	Part No.	Description	List Price
1	R0447100	Front PCB Kit, PureLink (use for both 700 & 1400) (Old Style, prior to 1/08) Includes: Support Plate for Front PCB, (4) Nylon Standoffs and (6) Screws	DISCONTINUED
1	R0403900	Front PCB, PureLink (use for both 700 & 1400) (Old Style, prior to 1/08)	\$371.16
2	R0447200	Bezel Cover Plate Kit, PureLink (for both 700 & 1400) Includes: Bezel Support Plate, Battery Cover and (5) Screws	\$105.06
3	R0447300	Battery Door Kit, PureLink (for both 700 & 1400) (Old Style, prior to 1/08) Screw, Battery Cover	\$30.94
4	R0447400	Screw Kit, PureLink (for both 700 & 1400) (Old Style, prior to 1/08) Includes: (11) Screws & (4) Nylon Stand-offs	\$34.62
5	R0447500	Wiring Harness, PureLink Back PCB to DC Cord	\$31.98
6	R0481400	Transformer, AquaPure®	\$317.21
N/S	R0466400	Transformer, AquaLink® RS, 120/24 VAC	\$134.75
7	R0404000	Back PCB Kit, AquaPure 700 (Old Style, prior to 1/08)	\$142.90
9	R0404100	Back PCB Kit, AquaPure 1400 (Old Style, prior to 1/08)	\$142.90
10	6070	GFCI Outlet (Optional)	\$100.48

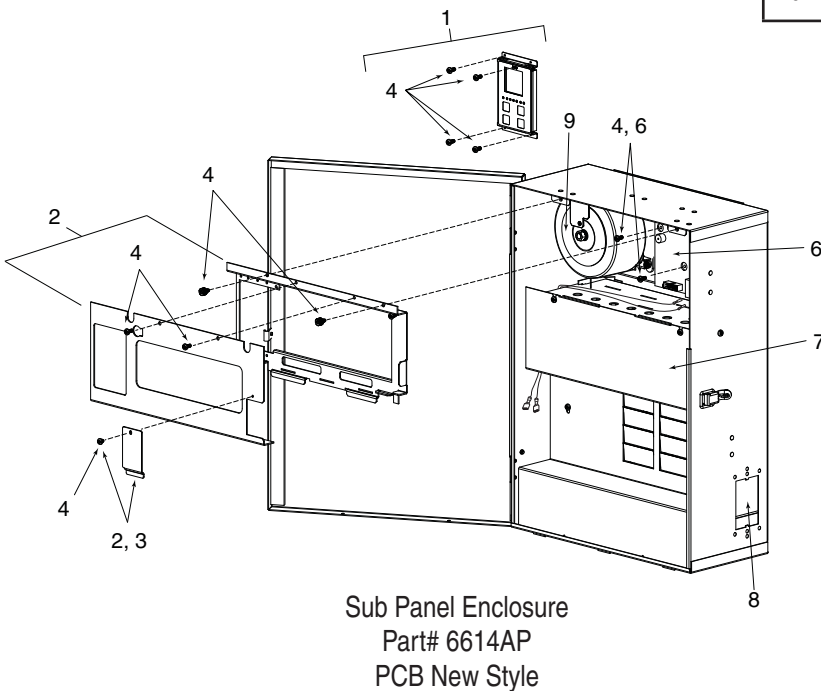
N/S - Not Shown

PureLink™ Power Centers (Small Front Style PCB after 2/08)

Part# 6613AP and 6614AP

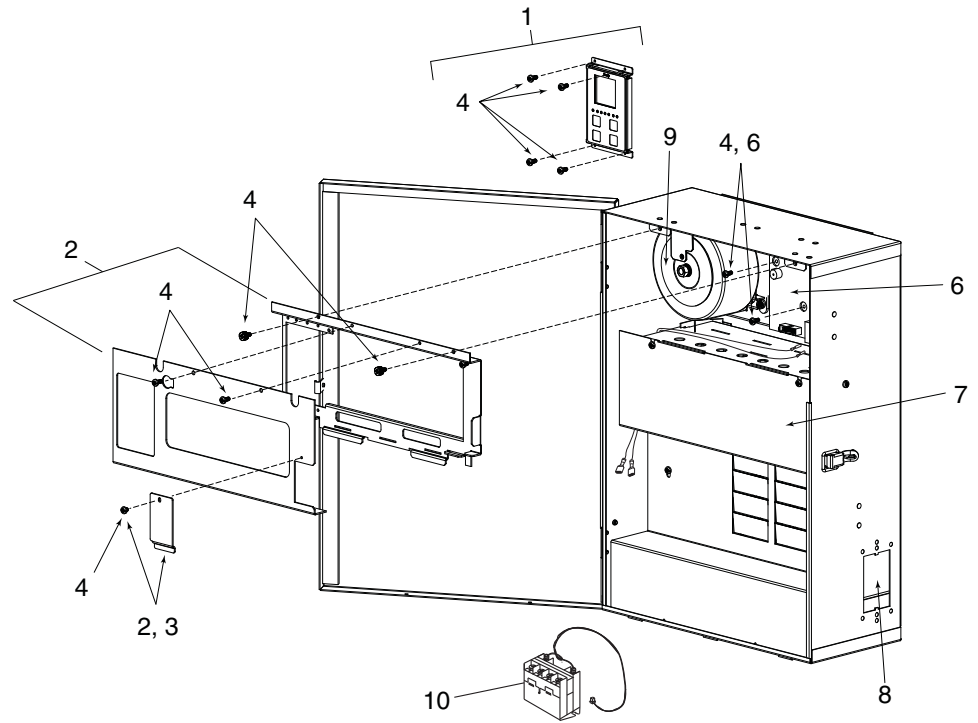


Key No.	Part No.	Description	List Price
1	R0467400	PCB User Interface and (4) Screws—Small Front Style	\$396.56
2	R0467700	Bezel Cover Kit—Small Front Style. Includes: Bezel Cover Plate, Support Plate, Battery Cover	\$108.74
3	R0447300	Battery Door Kit, PureLink (for both 700 & 1400). Includes: Battery Door and Screw	\$30.94
4	R0467800	Screw Kit, PureLink, (for both 700 & 1400). Includes: (11) Screws	\$35.83
5	R0447500	Wiring Harness, PureLink Back PCB to DC Cord	\$31.98
6	R0467600	PCB Power Interface, Large Back Board, (2) Screws	\$134.46
7	N/A	Panel, Dead Front Sub Panel	
8	6070	GFCI Outlet (Optional)	\$100.48
9	R0481400	Transformer, AquaPure®	\$317.21
9	R0466400	Transformer, AquaLink® RS, 120/24 VAC	\$134.75



PureLink™ Power Centers (Small Front Style after 9/09)

Part# 6614AP-L

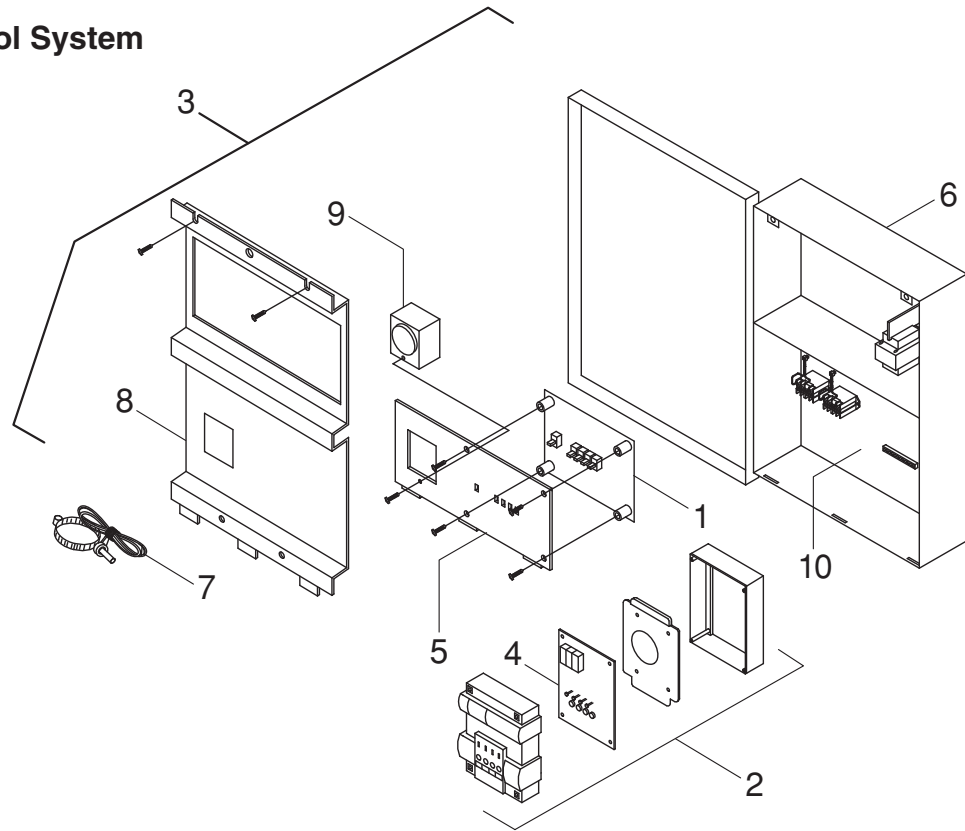


Sub Panel Enclosure
Part# 6614AP-L

Key No.	Part No.	Description	List Price
1	R0467400	PCB User Interface w/ (4) Screws	\$396.56
2	R0562100	Bezel Cover Kit, Small PCB, 6614AP-L Sub Panel	\$106.19
3	R0447300	Battery Door Kit w/ Screw	\$30.94
4	R0467800	Screw Kit, PureLink	\$35.83
5	R0447500	Wiring Harness, PureLink Back PCB to DC Cord	\$31.98
6	R0467600	PCB, Power Interface, Large Back Board, w/ Screws	\$134.46
7	R0562000	Panel, Breaker Dead Front 6614AP-L	\$112.57
8	6070	GFCI Outlet (Optional)	\$100.48
9	R0466400	Transformer, AquaLink® RS, 120V	\$134.75
9	R0481400	Transformer, AquaPure® 240V	\$317.21
9	6967	Transformer, AquaLink RS 240V, 50/60 Hz Export	\$127.93

Suggested Circuit Breakers (Available Locally)						
Manufacturer	Single	Double	Twin	Quad	GFCB	Filler Plate
Cutler-Hammer	BR	BR	BRD	BRD	GFCB	BRFP
Murray	MP-T	MP-T	MH-T	MH-T	MP-GT	LX100FP
Siemens	QP	QP	QT	QT	QPF	QF3
Square D	HOM	HOM	HOMT	HOMT	HOM	HOMFP
Thomas & Betts	TB	TB	TBBD	TBBQ	GFB	FP-1C-TB

Ji 2000 Pool/Spa Control System



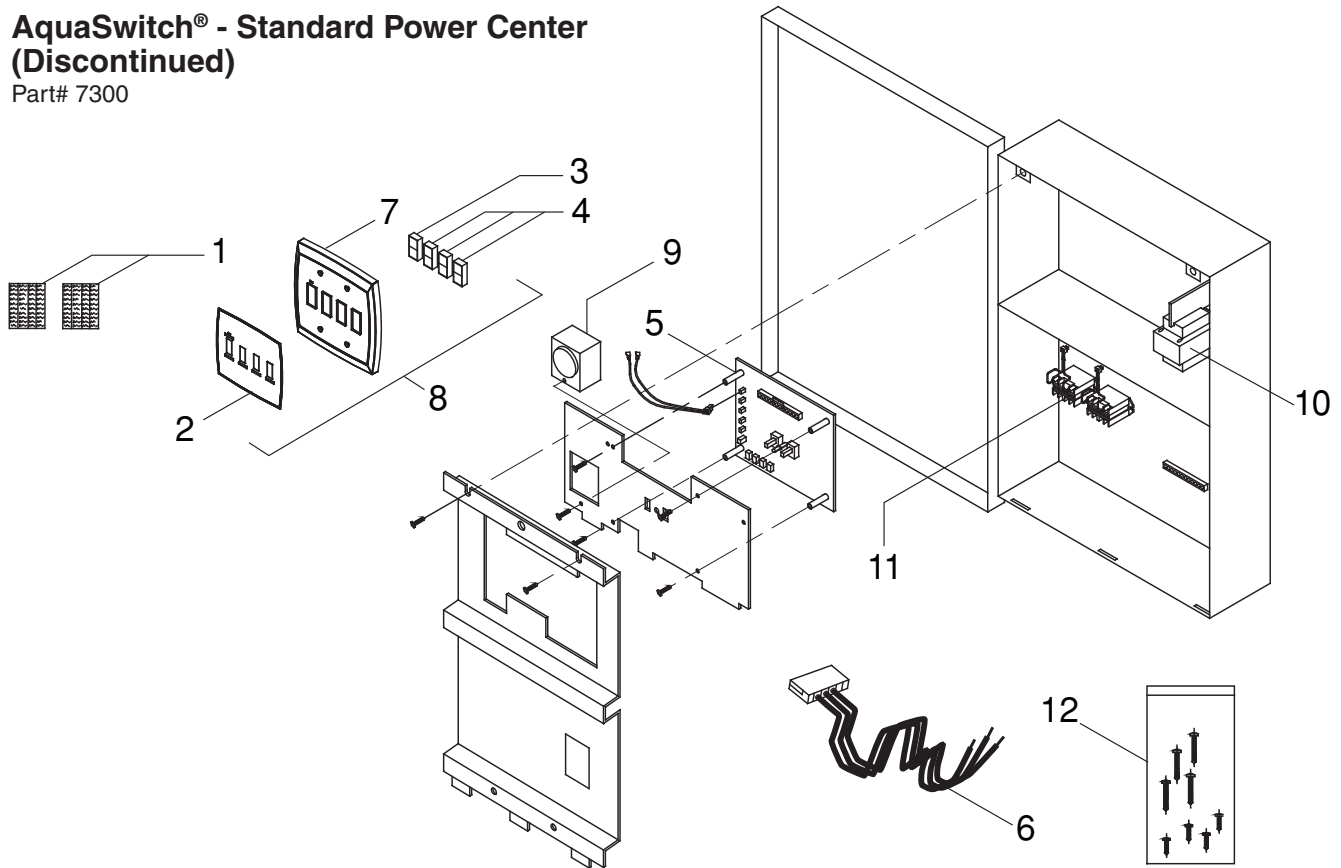
Key No.	Part No.	Description	List Price
1	4395	Power Center PCB	\$801.60
2	4586	Controller, Complete (Not Available)	N/A
3	N/A	Power Center, Complete	N/A
4	4595	Controller PCB, Complete (Call for Rebuild)	N/A
5	5125	Power Center Low Voltage Panel (Not Available)	N/A
6	R0466400	Transformer, Complete (For units mfg. 1995 and earlier* use Part# 4347)	\$134.75
7	4019	Water Sensor (1k), 4 wire	\$134.75
8	4582	Time Clock Hole Plug (Not Available)	N/A
9	7152	Time Clock Kit 24 hr (For units mfg. 1995 and earlier* use Part# 4634)	\$125.94
10	R0658100	3 HP Relay (Relay modules for units mfg. 1995 and earlier* use Part# 3652)	\$78.08
11	4757	Two 3 HP Relay on brackets	\$269.46
N/S	5098	Relay Splitter	\$44.74
N/S	3652	2 HP Relay Module (Ji/AquaLink®)	\$134.75
N/S	4347	Transformer Kit, Ji Series	\$179.09
N/S	4634	Time Clock Kit, Ji Series	\$152.47
N/S	1899	9 Pair Cable	N/A

N/S - Not Shown

*Units that are 1995 and EARLIER have high and low voltage panels and switches arranged in a VERTICAL configuration. Units that are 1995 and LATER have high and low voltage panels and switches arranged in a HORIZONTAL configuration.

AquaSwitch® - Standard Power Center (Discontinued)

Part# 7300

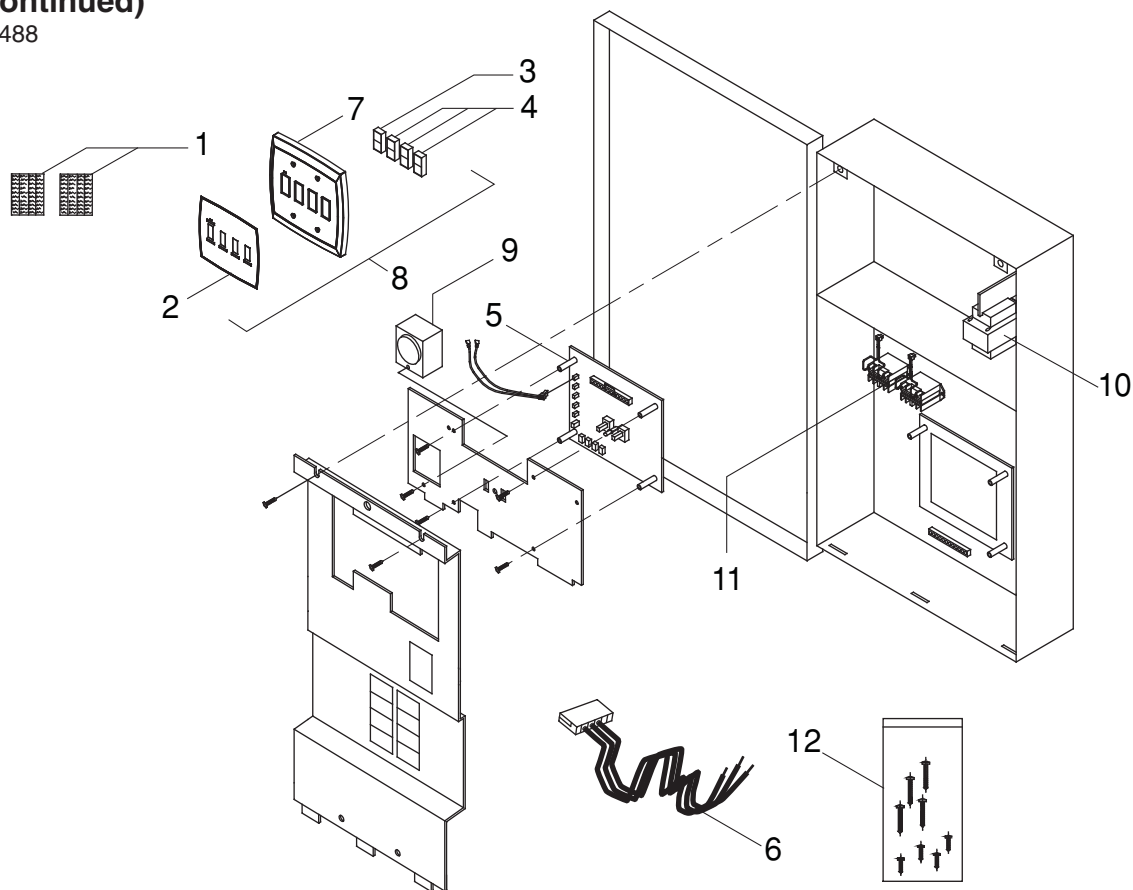


Key No.	Part No.	Description	List Price
1	6781	Custom Decal Set (Includes Lights and General)	\$22.59
2	7312	Decal AquaSwitch Faceplate	\$44.77
3	7314	Switch, SPDT Rocker (Double)* Use Part# 7299	N/A
4	7313	Switch, SPST Rocker (Single)* Use Part# 7299	N/A
5	7200	PCB, AquaSwitch Power Center	\$801.60
6	7522	Remote Wiring Harness for Jandy® Lite™ Heater	N/A
7	7294	Faceplate, Plastic Housing* Use Part# 7299	N/A
8	7299	Controller, Complete	\$124.52
9	7152	Time Clock Kit	\$125.94
10	R0466400	Transformer Kit, 120/24 VAC	\$134.75
11	R0658100	3 HP Relay w/ Harness	\$78.08
12	6918	Screw Kit	\$22.59
N/S	7343	Cable, 4 pair, 22 gauge, per foot	\$1.44 /ft.
N/S	7727	AquaSwitch to Jandy® LX™/LT™ Heater Wiring Harness (not shown)	\$110.26

*Not Sold Separately
N/S - Not Shown
N/A - Not Available

AquaSwitch® - Sub Panel Power Center with Breaker Mount Plate (Discontinued)

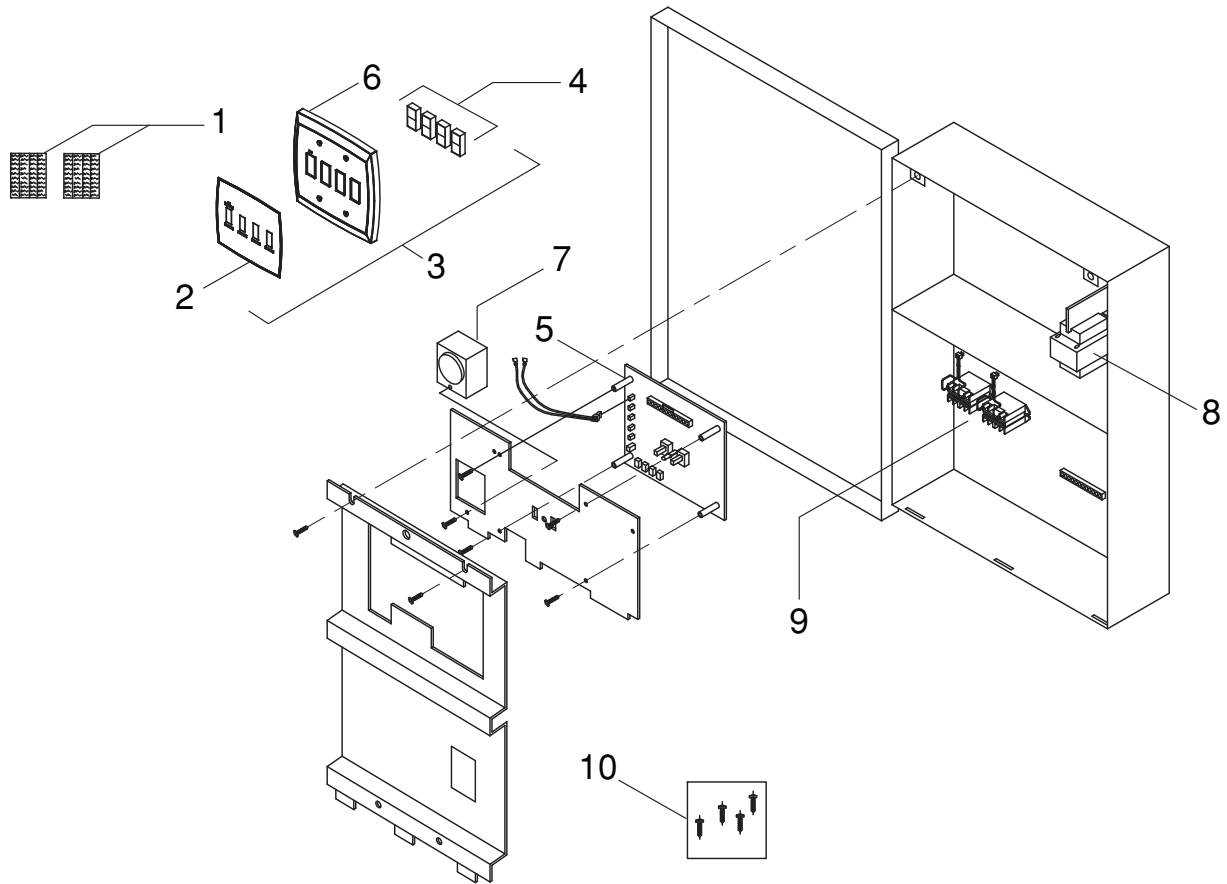
Part# 7488



Key No.	Part No.	Description	List Price
1	6781	Custom Decal Set (Includes Lights and General)	\$22.59
2	7312	Decal AquaSwitch Faceplate	\$44.77
3	7314	Switch, SPDT Rocker (Double)* Use Part# 7299	N/A
4	7313	Switch, SPST Rocker (Single)* Use Part# 7299	N/A
5	7200	PCB, AquaSwitch Power Center	\$801.60
6	7522	Remote Wiring Harness for Jandy® Lite™ Heater	N/A
7	7294	Faceplate, Plastic Housing* Use Part# 7299	N/A
8	7299	Controller, Complete	\$124.52
9	7152	Time Clock Kit, 24 hr.	\$125.94
10	R0466400	Transformer Kit, 120/24 VAC	\$134.75
11	R0658100	3 HP Relay w/ Harness	\$78.08
12	6918	Screw Kit	\$22.59
N/S	7343	Cable, 4 pair, 22 gauge, per foot	\$1.44 /ft.
N/S	7727	AquaSwitch to Jandy LX™/LT™ Heater Wiring Harness	\$110.26

*Not Sold Separately
N/S - Not Shown
N/A - Not Available

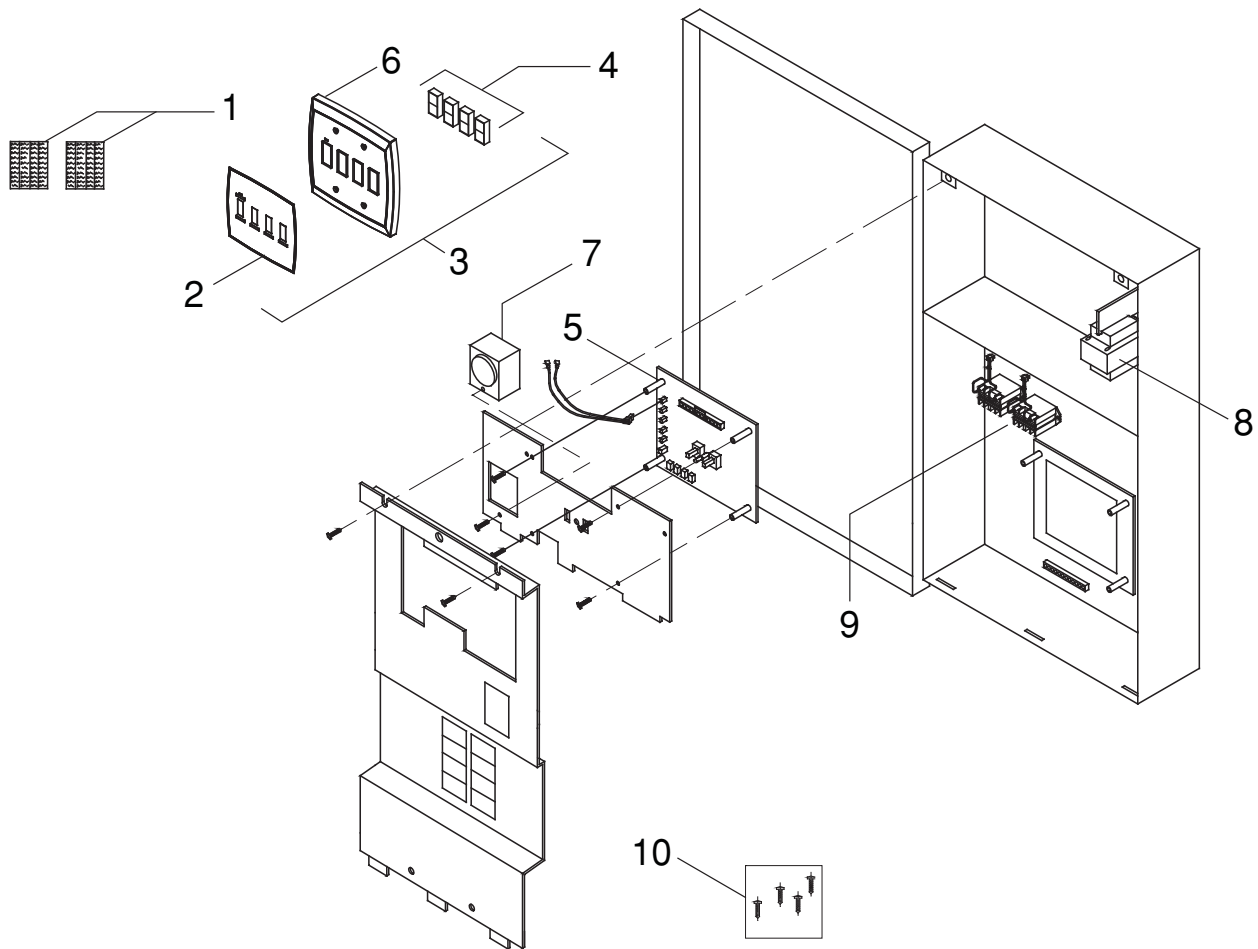
Pool Control - Standard Power Center



Key No.	Part No.	Description	List Price
1	6781	Custom Decal Set (Includes Lights and General)	\$22.59
2	7501	Decal, Pool Control Faceplate	N/A
3	7502	Controller, Complete Pool Control	\$122.81
4	7314	Switch, SPST Rocker (4) (Double)* Use Part# 7502	N/A
5	7200	PCB, Pool Control Power Center	\$801.60
6	7294	Faceplate, Plastic Housing* Use Part# 7502	N/A
7	7152	Time Clock Kit, 24 hr.	\$125.94
8	R0466400	Transformer Kit, 120/24 VAC	\$134.75
9	R0658100	3 HP Relay w/ Harness	\$78.08
10	6918	Screw Kit	\$22.59
N/S	7343	Cable, 4 pair, 22 gauge, per foot	\$1.44 /ft.

*Not Sold Separately
 N/S - Not Shown
 N/A - Not Available

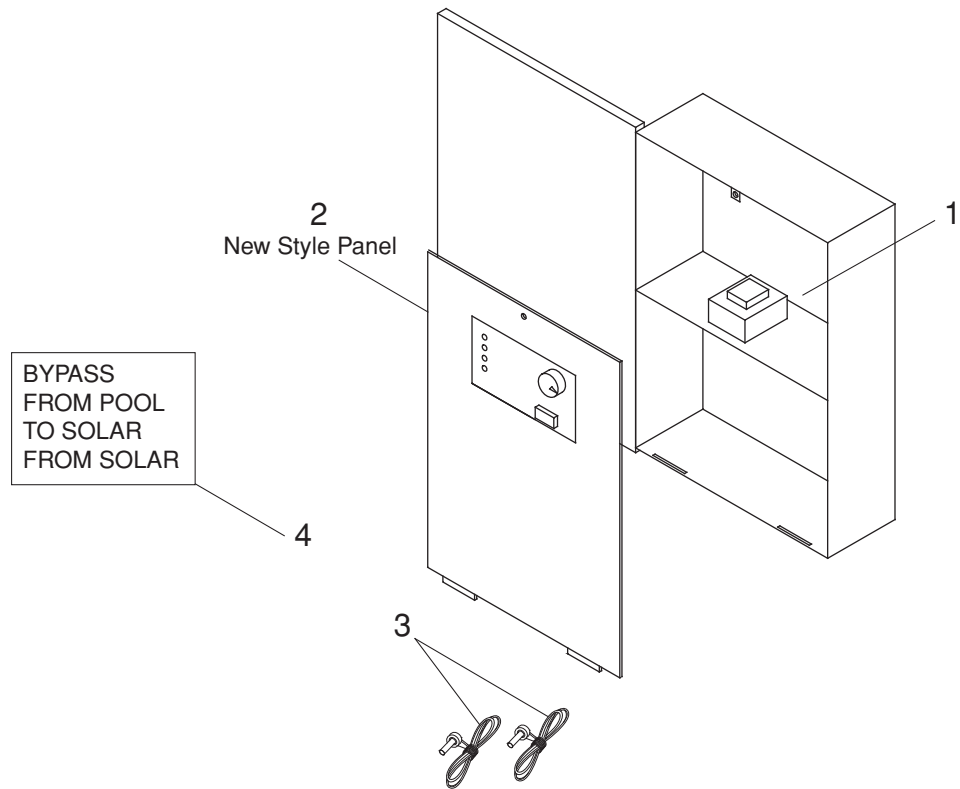
Pool Control - Sub Panel Power Center with Breaker Mount Plate



Key No.	Part No.	Description	List Price
1	6781	Custom Decal Set (Includes Lights and General)	\$22.59
2	7501	Decal, Pool Control Faceplate	\$44.77
3	7502	Controller, Complete Pool Control	\$122.81
4	7314	Switch, SPST Rocker (4) (Double)* Use Part# 7502	N/A
5	7200	PCB, Pool Control Power Center	\$801.60
6	7294	Faceplate, Plastic Housing* Use Part# 7502	N/A
7	7152	Time Clock Kit, 24 hr.	\$125.94
8	R0466400	Transformer Kit, 120/24 VAC	\$134.75
9	R0658100	3 HP Relay w/ Harness	\$78.08
10	6918	Screw Kit	\$22.59
N/S	7343	Cable, 4 pair, 22 gauge, per foot	\$1.44 /ft.

*Not Sold Separately
 N/S- Not Shown
 N/A- Not Available

Solar Control System



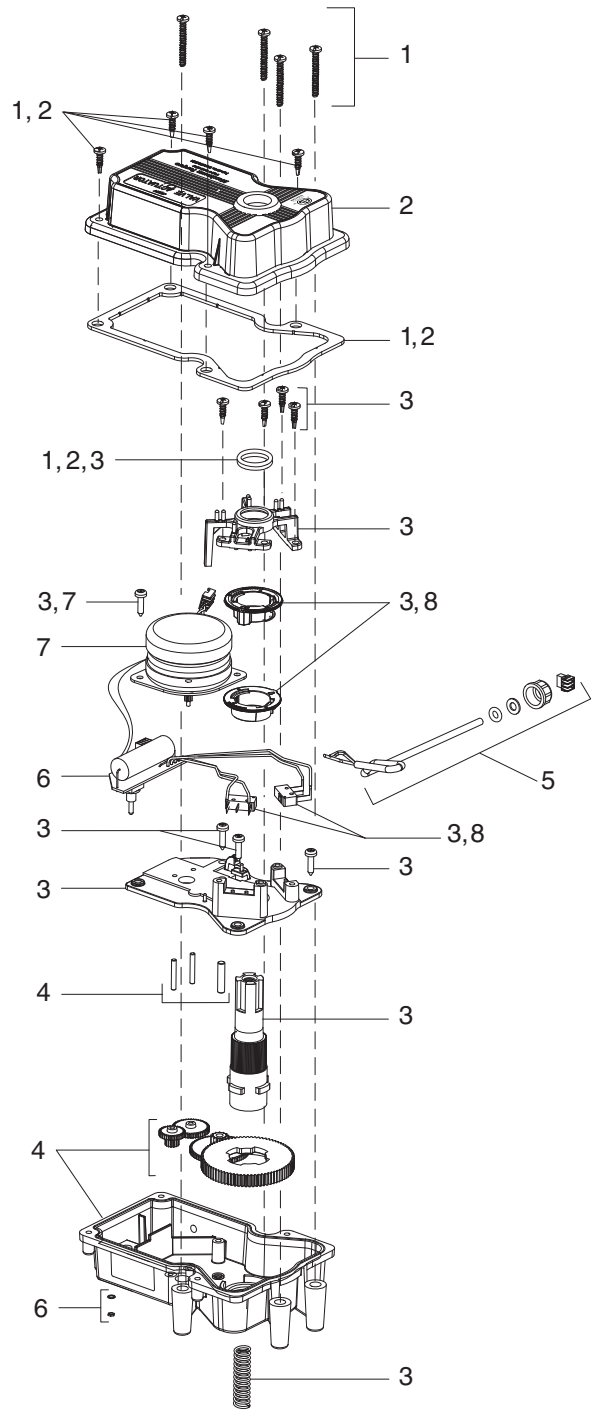
Key No.	Part No.	Description	List Price
1	7517	Transformer Kit, 20VAC	N/A
2	7724	PCB, Solar Repair Kit w/ Panel, Knob and Decal (New Style, Top Screw)	\$416.15
3	7790	Water and Solar Temperature Sensors, Gray, 15 ft.	\$86.99
4	7547	Decal, Solar Bypass	N/A

N/A-Not Available

JVA Exploded View and Replacement Kits (2444 Style)

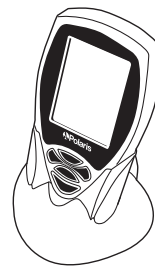
Key No.	Part No.	Description	Qty.	List Price
1	R0409600	JVA Gasket and Screw Kit		
		Gasket	1	\$8.95
		O-Ring	2	
		Screw, #14 x 2"	4	
		Screw, #8 x 5/8"	4	
2	R0411500	Top Housing Kit		
		Gasket	1	\$23.73
		O-Ring	2	
		Screw, #8 x 5/8"	4	
		Housing, Top	1	
3	R0408700	Center Plate Kit		
		O-Ring	2	\$22.17
		Screw, #8 x 5/8"	8	
		Bridge	1	
		Top Cam (Clear)	1	
		Bottom Cam (Textured)	1	
		Microswitch	2	
		Center Plate	1	
		Output Shaft, Threaded	1	
		Spring, JVA	1	
4	R0411600	Gear Kit		
		Primary Gear	1	\$13.50
		Secondary Gear	1	
		Large Pinion Gear	1	
		Output Gear	1	
Housing, Bottom w/ 3 Pins	1			
5	R0411800	Cable Kit, 20'		
		O-Ring, Strain Relief	1	\$40.51
		Washer, Strain Relief	1	
		Cap, Strain Relief	1	
Power Cord, 20' w/ 3-pin Connector	1			
5	R0411900	Cable Kit, 75'		
		O-Ring, Strain Relief	1	\$93.80
		Washer, Strain Relief	1	
		Cap, Strain Relief	1	
Power Cord, 75' w/ 3-pin Connector	1			
6	R0441700	PCB w/ Toggle Switch Kit	1	\$35.76
7	R0408500	Motor Kit	1	\$209.78
8	R0408600	Cam and Microswitch Kit		
		Top Cam (Clear)	1	\$28.61
		Bottom Cam (Textured)	1	
Microswitch	1			
N/S	R0553300	Shaft and Gear Kit		\$35.67

N/S - Not Shown

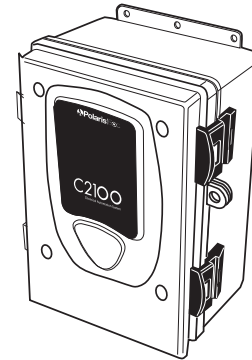


Eos® Parts and Accessories

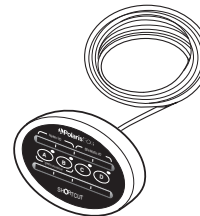
Part No.	Description	List Price
E11	Command Center Board	\$357.70
E12	Activator Board	\$428.98
E20	Wireless Kit (Antenna, Remote, Charging Base)	\$2,196.55
E21	In-House Panel	\$514.25
E22	Shortcut Remote w/ 125' Cable	\$255.83
E23	Shortcut Remote w/ 250' Cable	\$307.52
E30	Wireless Remote Only	\$1,257.30
E31	Wireless Charging Base Only	\$134.21
E32	Wireless Antenna Only	\$1,092.94
E33	Battery, Wireless Remote	\$56.65
E34	Cable, RBC, 250'	N/A
E36	RBC Hub Card	\$142.62
E39	Cable, RBC Cable, 125'	\$116.13
E40	PLC Transmitter Kit	\$432.64
E41	PLC Dimmer Module (lighting only)	\$46.47
E43	PLC Appliance Module	\$71.14
E44	PLC Dimmer Screw-In Lamp Module	\$67.12
E45	PLC Phase Coupler, Plug-In, 3 Wire	\$143.73
E66	Transformer	\$49.32
E68	Fuse, Transformer (4 Amp, 125V)	Use local source
E69	CPC Extension Kit for E3-E9, per foot	\$7.27
E75	Dimmer Relay	\$287.45
E82	Datalogger PC Access	\$116.03
R0658100	High Power Relay (old part # S30)	\$78.08
6908	Surge Protection Module (old part # S50)	\$542.74
6796	2-Speed Relay (old part # S80)	\$196.98
7790	Temp Sensor (old part # S20)	\$86.99
7786	Solar Sensor, 50' (old part # S22)	\$126.20
7791	Solar Sensor, 100' (old part # S25)	\$172.28
E37	6-pin Connector	Call for price
E85	CPC Cable (E11-E12)	\$6.91
E86	12' Cable (E3-E9)	\$20.08
E90	EOS Cable Kit	Call for price



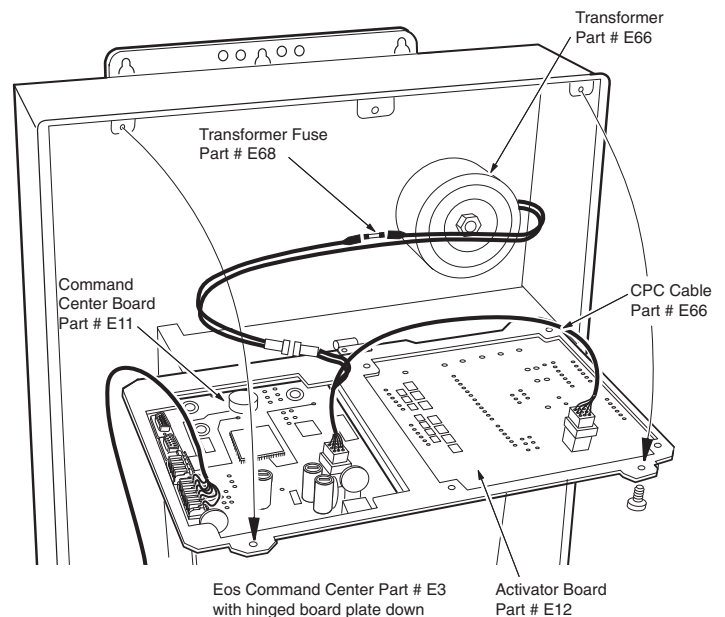
Wireless Remote



Watermatic® C2100
ORP and pH Controller
#C2100



Shortcut Remote
#E22



Sol 1000 Replacement Parts

Part No.	Description	List Price
S10	Automatic Valve Actuator (Use #4424)	\$192.82
S15	Antenna Extension Cable	N/A
7790	Temperature Sensor, 15' Cable (old part # S20)	\$86.99
7786	Solar Temperature Sensor, 50' Cable (old part # S22)	\$126.20
7791	Solar Temperature Sensor, 100' Cable (old part # S25)	\$172.28
R0658100	High Power Relay (old part # S30)	\$78.08
S35 – Limited Stock	Battery w/ O-Ring and Gaskets, Remote	\$34.13
S40 – Limited Stock	Battery Cover w/ O-Ring, Screws and Gaskets, Remote	\$8.11
S42	Repeater Antenna w/ 100' of cable	N/A
S45	Command Center Antenna, 15' Cable	\$34.24
6908	Surge Protection Module (old part # S50)	\$542.74
S55 – Limited Stock	Transformer	\$135.33
S60 – Limited Stock	Command Center Circuit Board	\$1,072.90
S65 – Limited Stock	Charger Base	Call for price
S66	Wireless Remote	N/A
S70 – Limited Stock	Charger Base Transformer	\$20.19
S75 – Limited Stock	Command Center Battery, CR2025	\$3.44
6796	2-Speed Pump Relay (old part # S80)	\$196.98
S90 – Limited Stock	Fuse 2.5 AMP+C1139	\$8.00
S95 – Limited Stock	Screw, S60 Install	\$0.91

N/A - Not Available

