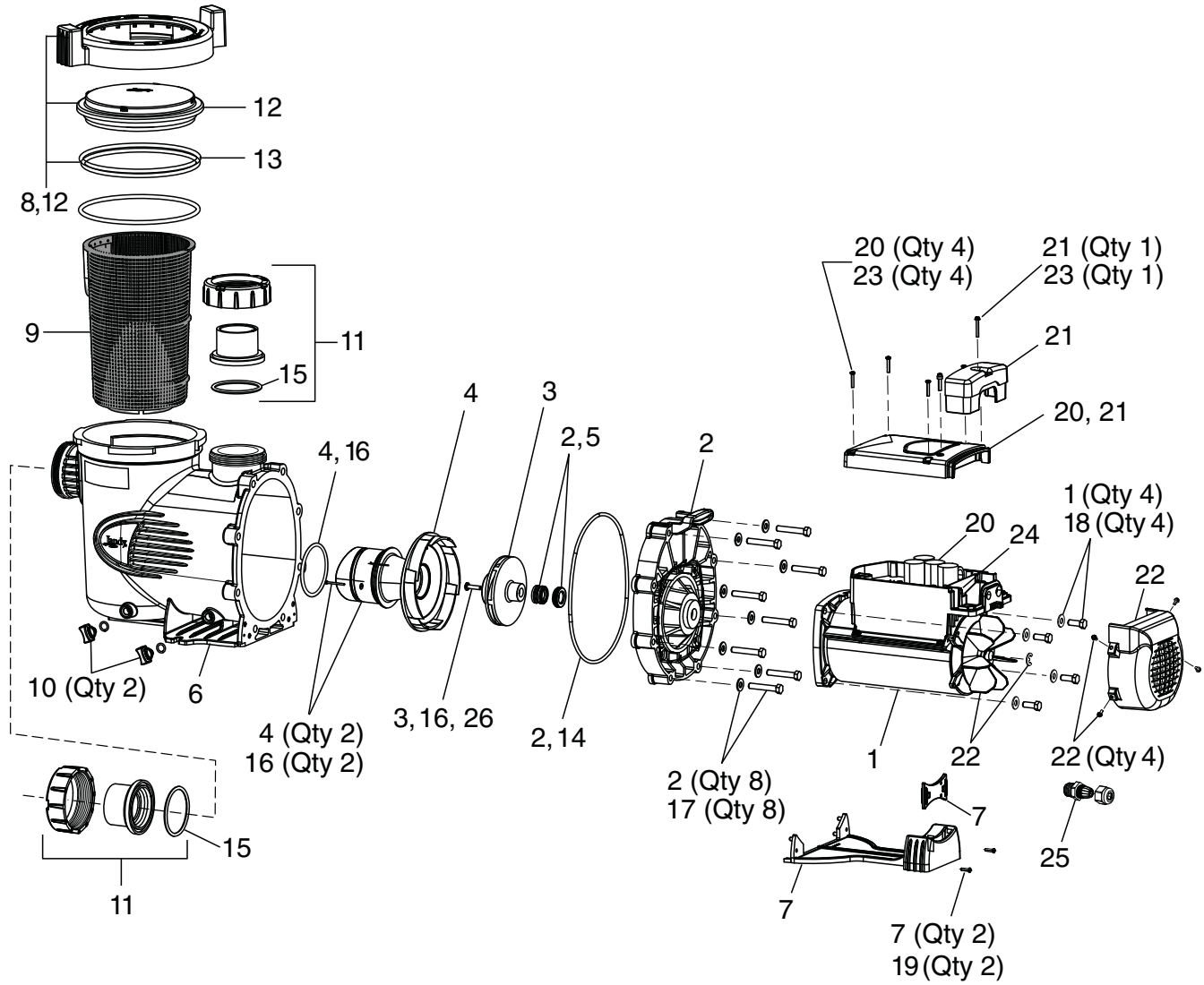


## ePump™ (JEP) Variable Speed Pump

Key No.	Part No.	Description	Size (HP)	Qty.	List Price
1	R0474403	Motor, ePump Series	2.0	1	\$591.71
1	R0474402	Motor, ePump Series	1.5	1	\$571.20
2	R0445200	Backplate, JEP	All	1	\$136.41
		Mechanical Seal, Carbon		1	
		Mechanical Seal, Ceramic		1	
		O-Ring		1	
		Bolts		8	
Washers	8				
3	R0445305	Impeller, Assy, SHP, PHP, JEP	2.0	1	\$46.00
3	R0445304	Impeller, Assy, SHP, PHP, JEP	1.5	1	\$45.86
4	R0445400	Diffuser w/ O-Ring and Hardware	All	1	\$39.64
5	R0479400	Mechanical Seal, Carbon Mechanical Seal, Ceramic	All	1 1	\$14.25
6	R0445601	Body, Pump JEP	All	1	\$241.65
7	R0445700	Motor Mounting Foot Assy, SHP/JEP Screws	All	1 2	\$32.39
8	R0445800	Locking Ring	All	1	\$64.16
		Lid O-Ring		1 1	
9	R0445900	Filter Basket	All	1	\$18.35
10	R0446000	Plug, Drain O-Ring	All	2 2	\$18.55
11	R0446101	Tail Piece (2" x 2½")	1.5 2.0	2	\$31.18
		Coupling Nut		2	
		O-Ring		2	
12	R0446200	Seal, Lid	All	1	\$20.94
13	R0479000	Blue Pressure O-Ring	All	1	\$9.67
14	R0446300	O-Ring, Backplate	All	1	\$12.80
15	R0446400	O-Ring, Tail Piece (Set of 2)	All	2	\$16.94
16	R0446500	Diffuser/Impeller Hardware	All	1	\$18.81
		Screw w/ O-Ring, Self-sealing,		2	
		Impeller Mounting		2	
		Washer, Diffuser Mounting		2	
O-Ring, Diffuser	2				
17	R0446600	Backplate Hardware	All	8	\$41.69
		Bolts Washers		8 8	
18	R0446700	Motor Hardware	All	4	\$20.84
		Bolts Washers		4 4	
19	R0446800	Screws, Motor Mounting Foot		2	\$14.87

Key No.	Part No.	Description	Size (HP)	Qty.	List Price
20	R0474900	Speed Drive (w/ Cover and Hardware)	All	1	TBD
		Speed Drive, JEP Series		1	
		Cover, Speed Drive, JEP Series		1	
		Screw, #8-32 Hex Washer HD, Self-Sealing		4	
21	R0475000	Cover Speed Drive (w/ Cover & Hardware), JEP	All	1	\$20.25
		Cover, Speed Drive, JEP Series		4	
22	R0474800	Fan, JEP Series	All	1	\$34.05
		Clip, Fan		1	
		Cover, Fan		1	
		Screw, #8-32 x .44 Hex Washer HD, w/ Locking Serrations		4	
23	R0475100	Hardware Speed Drive, JEP Series	All	4	\$6.90
		Screw, #8-32X.44 Hex Washer HD, w/ Locking Serrations		1	
		Screw, #8-32 Hex Washer HD, Self-Sealing Screw, #10-32 x .44 Hex Washer HD, w/ Locking Serrations		4	
24	R0660900	Connector (4-pin), Speed Drive, ePump	All	1	\$33.62
		Data Cable Bulkhead Fitting		1	
25	R0501100	Screw w/ O-Ring, Self-sealing	All	1	\$5.95
26	R0515400	Screw w/ O-Ring, Self-sealing	All	1	\$5.95
<b>ePump Remote Controller</b>					
n/s	R3009601	User Interface, Remote Mounting, Replacement Kit	All	1	\$64.27
n/s	R0472300	Gasket, User Interface	All	1	\$6.24

## ePump™ (JEP) Variable Speed Pump

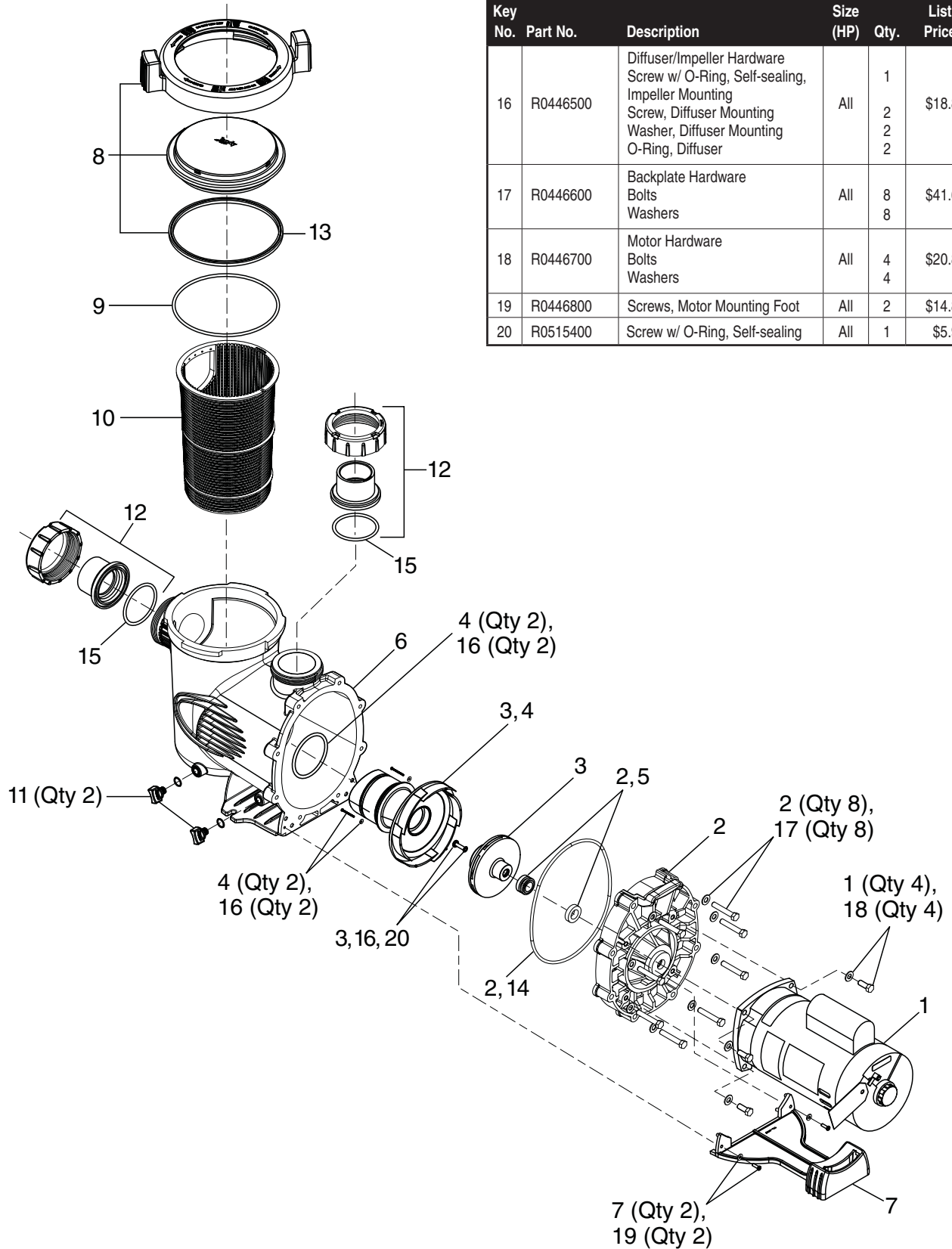


## Stealth™ (SHPF/SHPM) Series Pump

Key No.	Part No.	Description	Size (HP)	Qty.	List Price
1	R0445114	Motor, single-speed SHPF	.5	1	\$383.19
1	R0445101	Motor, single-speed SHPF	.75	1	\$498.96
1	R0445102	Motor, single-speed SHPF	1.0	1	\$556.12
1	R0445103	Motor, single-speed SHPF	1.5	1	\$707.04
1	R0445104	Motor, single-speed SHPF	2.0	1	\$786.17
1	R0445105	Motor, single-speed SHPF	3.0	1	\$945.56
1	R0490200	Motor, single-speed SHPF	5.0	1	\$1,002.14
1	R0479301	Motor, single speed SHPM	.75		\$398.52
1	R0479302	Motor, single-speed SHPM	1.0	1	\$479.77
1	R0479303	Motor, single-speed SHPM	1.5	1	\$534.73
1	R0479304	Motor, single-speed SHPM	2.0	1	\$707.04
1	R0479305	Motor, single-speed SHPM	2.5	1	\$786.17
1	R0479307	Motor, 2-speed SHPM	1.5	1	\$678.84
1	R0479308	Motor, 2-speed SHPM	2.0	1	\$825.46
1	R0479309	Motor, 2-speed SHPM	2.5	1	\$903.43
1	R0479101	Motor, single-speed, SHPF, 3 Phase	1.0	1	\$286.64
1	R0479102	Motor, single-speed, SHPF, 3 Phase	1.5	1	\$359.46
1	R0479103	Motor, single-speed, SHPF, 3 Phase	2.0	1	\$381.05
1	R0479104	Motor, single-speed, SHPF, 3 Phase	3.0	1	\$452.27
1	R0445113	Motor, 2-speed, SHPF	1.0	1	\$707.70
1	R0445106	Motor, 2-speed, SHPF	1.5	1	\$825.47
1	R0445107	Motor, 2-speed, SHPF	2.0	1	\$939.56
2	R0445200	Backplate, SHPF/SHPM Mechanical Seal, Carbon Mechanical Seal, Ceramic O-Ring Bolts Washers	.5 – 3.0	1 1 1 8 8	\$136.41
2	R0445201	Backplate, SHPF/SHPM Mechanical Seal, Carbon Mechanical Seal, Ceramic O-Ring Bolts Washers	5.0	1 1 1 8 8	\$136.41
3	R0445301	Impeller & Diffuser w/ Screw & O-Ring, SHPF	.50	1	\$44.54
3	R0445302	Impeller & Diffuser w/ Screw & O-Ring, SHPF	.75	1	\$44.99
3	R0445303	Impeller & Diffuser w/ Screw & O-Ring, SHPF	1.0	1	\$45.03
3	R0445304	Impeller & Diffuser w/ Screw & O-Ring, SHPF	1.5	1	\$45.86
3	R0445305	Impeller & Diffuser w/ Screw & O-Ring, SHPF	2.0	1	\$46.00
3	R0445306	Impeller & Diffuser w/ Screw & O-Ring, SHPF	3.0	1	\$46.94
3	R0445307	Impeller & Diffuser w/ Screw & O-Ring, SHPF	5.0	1	\$55.85
3	R0445301	Impeller & Diffuser w/ Screw & O-Ring, SHPM	.75	1	\$44.54
3	R0445302	Impeller & Diffuser w/ Screw & O-Ring, SHPM	1.0	1	\$44.99

Key No.	Part No.	Description	Size (HP)	Qty.	List Price
3	R0445303	Impeller & Diffuser w/ Screw & O-Ring, SHPM	1.5	1	\$45.03
3	R0445304	Impeller & Diffuser w/ Screw & O-Ring, SHPM	2.0	1	\$45.86
3	R0445305	Impeller & Diffuser w/ Screw & O-Ring, SHPM	2.5	1	\$46.00
3	R0445303	Impeller & Diffuser w/ Screw & O-Ring, 2-speed, SHPF	1.0	1	\$45.03
3	R0445304	Impeller & Diffuser w/ Screw & O-Ring, 2-speed, SHPF	1.5	1	\$45.86
3	R0445305	Impeller & Diffuser w/ Screw & O-Ring, 2-speed, SHPF	2.0	1	\$46.00
3	R0445303	Impeller & Diffuser w/ Screw & O-Ring, 2-speed, SHPM	1.5	1	\$45.03
3	R0445304	Impeller & Diffuser w/ Screw & O-Ring, 2-speed SHPM	2.0	1	\$45.86
3	R0445305	Impeller & Diffuser w/ Screw & O-Ring, 2-speed SHPM	2.5	1	\$46.00
4	R0445400	Diffuser Screw Washer O-Ring	.5 – 3.0	1 2 2 2	\$39.64
4	R0445401	Diffuser Screw Washer O-Ring	5.0	1 2 2 2	\$39.64
5	R0479400	Mechanical Shaft Seals, New Style, Carbon & Ceramic	All	1 1	\$14.25
5	R0445500	Mechanical Shaft Seals, Old & New Style, Carbon & Ceramic	All	1 1	\$28.69
6	R0445601	Body, Pump, SHPF/SHPM	All	1	\$241.65
7	R0445700	Motor Mounting Foot Assy, SHPF/SHPM Screws	All	1 2	\$32.39
8	R0445800	Locking Ring Lid Seal	All	1 1 1	\$64.16
9	R0479000	Blue Pressure Test O-Ring	All	1	\$9.67
10	R0445900	Filter Basket	All	1	\$18.35
11	R0446000	Plug, Drain O-Ring	All	2 2	\$18.55
12	R0446101	Tail Piece (2" x 2½") Coupling Nut O-Ring	.50 .75 2.5	2 2 2	\$31.18
12	R0446102	Tail Piece (2½" x 3") Coupling Nut O-Ring	3.0 5.0	2 2 2	\$75.02
13	R0446200	Seal, Lid, and O-Ring, (Lid O-Ring not Shown)	All	1	\$20.94
14	R0446300	O-Ring, Backplate	All	1	\$12.80
15	R0446400	O-Ring, Tail Piece	All	2	\$16.94

## Stealth™ (SHPF/SHPM) Series Pump



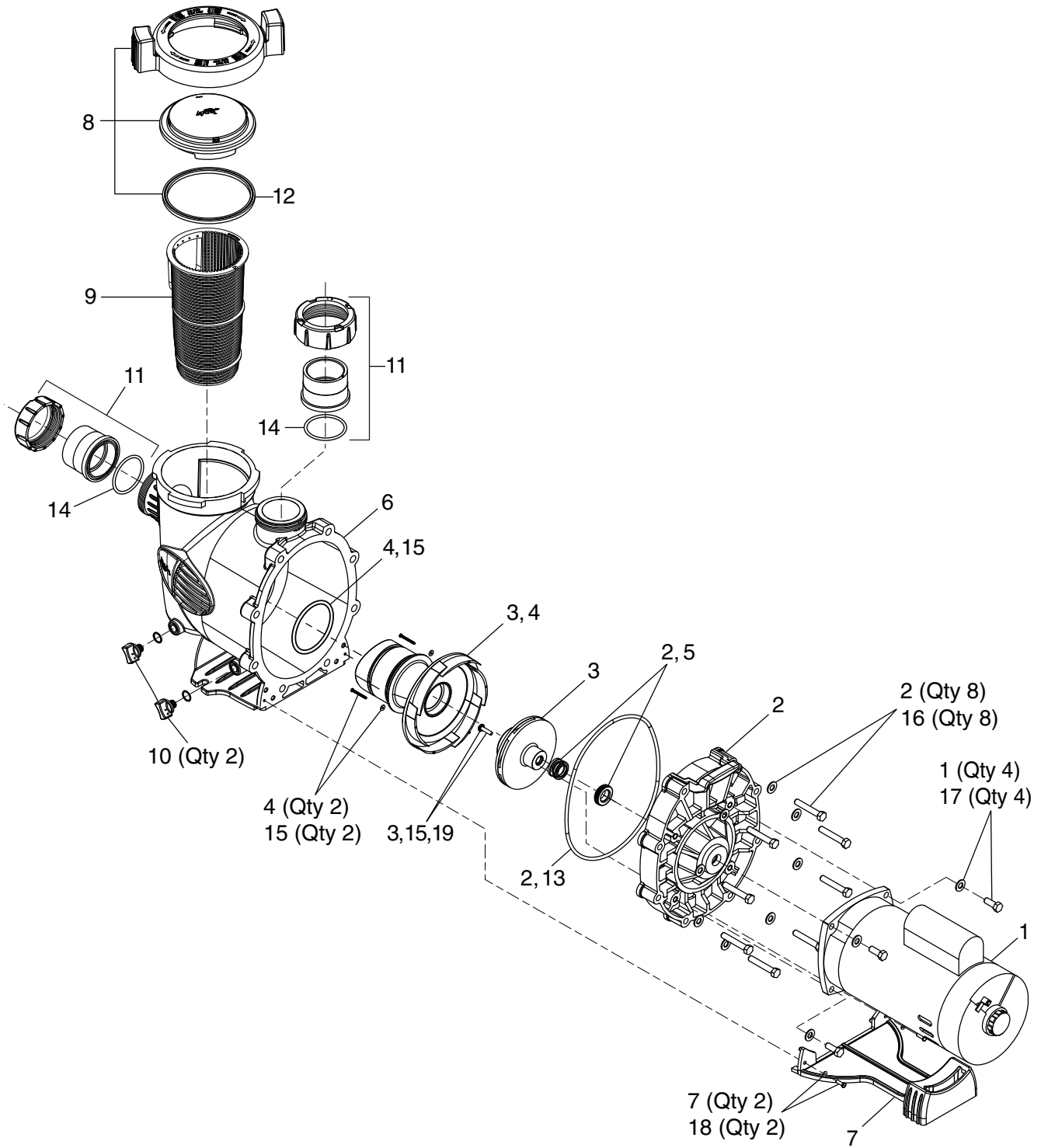
Key No.	Part No.	Description	Size (HP)	Qty.	List Price
16	R0446500	Diffuser/Impeller Hardware	All	1	\$18.81
		Screw w/ O-Ring, Self-sealing, Impeller Mounting		2	
		Screw, Diffuser Mounting		2	
		Washer, Diffuser Mounting		2	
17	R0446600	Backplate Hardware	All	8	\$41.69
		Bolts		8	
18	R0446700	Motor Hardware	All	4	\$20.84
		Bolts		4	
19	R0446800	Screws, Motor Mounting Foot	All	2	\$14.87
20	R0515400	Screw w/ O-Ring, Self-sealing	All	1	\$5.95

## PlusHP (PHPF/PHPM) Series Pump

Key No.	Part No.	Description	Size (HP)	Qty.	List Price
1	R0445108	Motor, single-speed & Hardware, PHPF	.50	1	\$398.52
1	R0445109	Motor, single-speed & Hardware, PHPF	.75	1	\$441.45
1	R0445110	Motor, single-speed & Hardware, PHPF	1.0	1	\$493.76
1	R0445111	Motor, single-speed & Hardware, PHPF	1.5	1	\$643.40
1	R0445112	Motor, single-speed & Hardware, PHPF	2.0	1	\$711.17
1	R0479310	Motor, single-speed & Hardware, PHPM	.75	1	\$398.52
1	R0479311	Motor, single-speed & Hardware, PHPM	1.0	1	\$441.46
1	R0479312	Motor, single-speed & Hardware, PHPM	1.5	1	\$493.77
1	R0479313	Motor, single-speed & Hardware, PHPM	2.0	1	\$643.41
1	R0479314	Motor, single-speed & Hardware, PHPM	2.5	1	\$711.17
1	R0479301	Motor, 2-speed & Hardware, PHPM	1.5	1	\$398.52
1	R0479308	Motor, 2-speed & Hardware, PHPM	2.0	1	\$825.46
1	R0479309	Motor, 2-speed & Hardware, PHPM	2.5	1	\$903.43
1	R0479307	Motor, 2-speed & Hardware, PHPF	1.0	1	\$678.84
1	R0479308	Motor, 2-speed & Hardware, PHPF	1.5	1	\$825.46
1	R0479309	Motor, 2-speed & Hardware, PHPF	2.0	1	\$903.43
2	R0445200	Backplate, PHPF/PHPM Mechanical Seal, Carbon Mechanical Seal, Ceramic O-Ring Bolts Washers	All	1 1 1 1 8 8	\$136.41
3	R0445301	Impeller & Diffuser w/ Screw & O-Ring, PHPF	.50	1	\$44.54
3	R0445302	Impeller & Diffuser w/ Screw & O-Ring, PHPF	.75	1	\$44.99
3	R0445303	Impeller & Diffuser w/ Screw & O-Ring, PHPF	1.0	1	\$45.03
3	R0445304	Impeller & Diffuser w/ Screw & O-Ring, PHPF	1.5	1	\$45.86
3	R0445305	Impeller & Diffuser w/ Screw & O-Ring, PHPF	2.0	1	\$46.00
3	R0445301	Impeller & Diffuser w/ Screw & O-Ring, PHPM	.75	1	\$44.54
3	R0445302	Impeller & Diffuser w/ Screw & O-Ring, PHPM	1.0	1	\$44.99
3	R0445303	Impeller & Diffuser w/ Screw & O-Ring, PHPM	1.5	1	\$45.03
3	R0445304	Impeller & Diffuser w/ Screw & O-Ring, PHPM	2.0	1	\$45.86

Key No.	Part No.	Description	Size (HP)	Qty.	List Price
3	R0445305	Impeller & Diffuser w/ Screw & O-Ring, PHPM	2.5	1	\$46.00
3	R0445303	Impeller & Diffuser w/ Screw & O-Ring, 2-speed, PHPF	1.0	1	\$45.03
3	R0445304	Impeller & Diffuser w/ Screw & O-Ring, 2-speed, PHPF	1.5	1	\$45.86
3	R0445305	Impeller & Diffuser w/ Screw & O-Ring, 2-speed, PHPF	2.0	1	\$46.00
3	R0445303	Impeller & Diffuser w/ Screw & O-Ring, 2-speed PHPM	1.5	1	\$45.03
3	R0445304	Impeller & Diffuser w/ Screw & O-Ring, 2-speed PHPM	2.0	1	\$45.86
3	R0445305	Impeller & Diffuser w/ Screw & O-Ring, 2-speed, PHPM	2.5	1	\$46.00
4	R0445400	Diffuser Screw Washer O-Ring	All	1 2 2 2	\$39.64
5	R0479400	Mechanical Shaft Seal, New Style, Carbon & Ceramic	All	1 1	\$14.25
5	R0445500	Mechanical Shaft Seal, New & Old Style, Carbon & Ceramic	All	1 1	\$28.69
6	R0448700	Body, Pump, PHPF/PHPM	All	1	\$203.94
7	R0445700	Motor Mounting Foot Assembly, PHPF/PHPM Screws	All	1 2	\$32.39
8	R0448800	Locking Ring Lid Lid Seal	All	1 1 1	\$34.25
9	R0448900	Filter Basket	All	1	\$13.03
10	R0446000	Plug, Drain O-Ring	All	2 2	\$18.55
11	R0449000	Tail Piece (2" x 2 1/2") Coupling Nut O-Ring	All	2 2 2	\$35.98
12	R0449100	Lid Seal w/ O-Ring	All	1	\$12.72
13	R0446300	O-Ring, Backplate	All	1	\$12.80
14	R0449200	O-Ring, Tail Piece	All	2	\$14.29
15	R0446500	Diffuser/Impeller Hardware Screw w/ O-Ring, Self-sealing, Impeller Mounting Screw, Diffuser Mounting Washer, Diffuser Mounting O-Ring, Diffuser	All	1 2 2 1 2	\$18.81
16	R0446600	Backplate Hardware Bolts Washers	All	8 8	\$41.69
17	R0446700	Motor Hardware Bolts Washers	All	4 4	\$20.84
18	R0446800	Screws, Motor Mounting Foot	All	2	\$14.87
19	R0515400	Screw w/ O-Ring, Self-sealing	All	1	\$5.95

## PlusHP (PHPF/PHPM) Series Pump

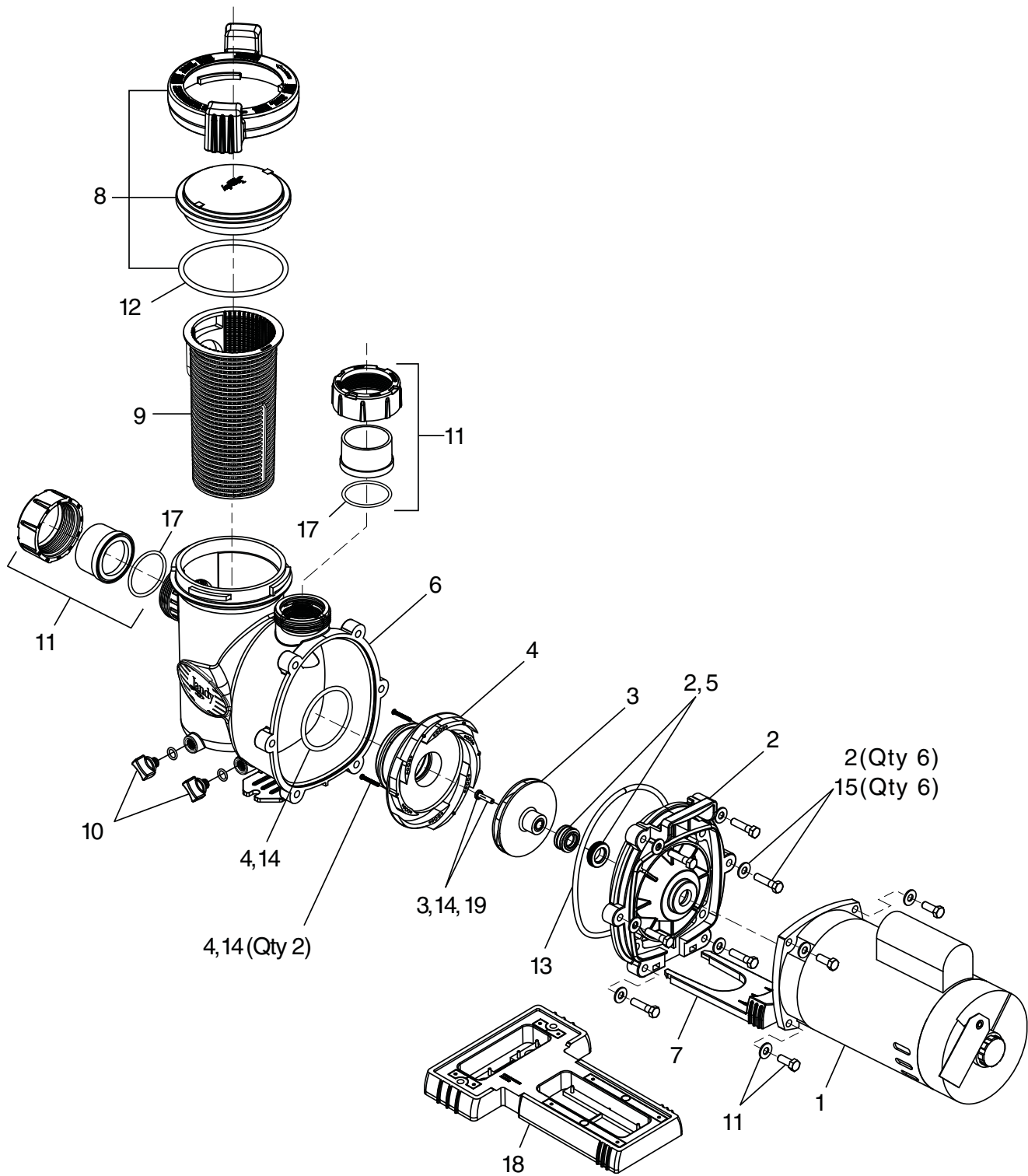


## FloPro™ (FHPM) Series Pump

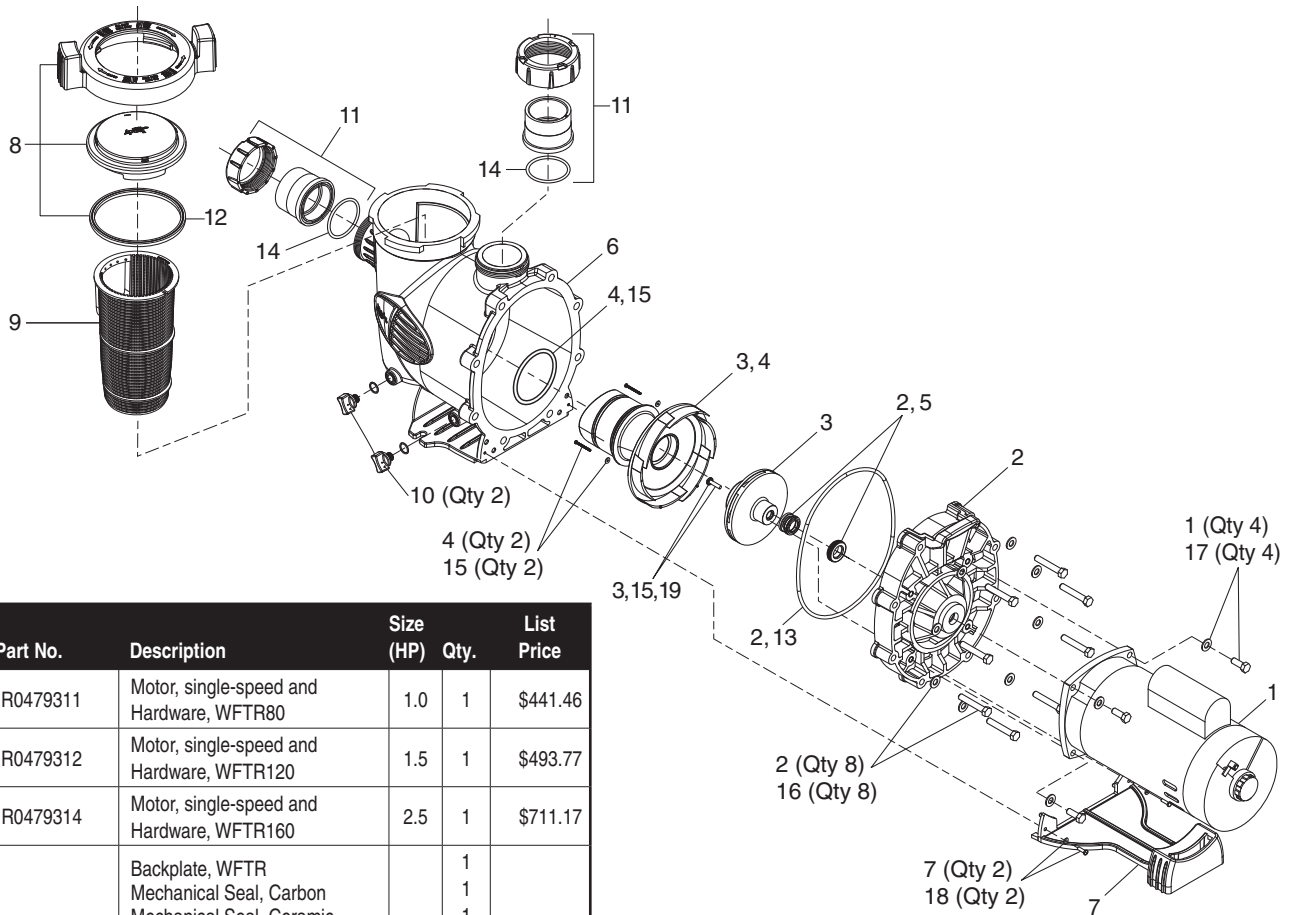
Key No.	Part No.	Description	Size (HP)	Qty.	List Price
1	R0479310	Single-speed Motor and Hardware, FHP	0.75	1	\$398.52
1	R0479311	Single-speed Motor and Hardware, FHP	1.0	1	\$441.46
1	R0479312	Single-speed Motor and Hardware, FHP	1.5	1	\$493.77
1	R0479313	Single-speed Motor and Hardware, FHP	2.0	1	\$643.41
1	R0479314	Single-speed Motor and Hardware, FHP	2.5	1	\$711.17
1	R0479306	2-Speed Motor & Hardware, FHP	1.0	1	\$531.85
1	R0479307	2-Speed Motor & Hardware, FHP	1.5	1	\$678.84
1	R0479308	2-Speed Motor & Hardware, FHP	2.0	1	\$825.46
2	R0479500	Backplate Mechanical Seal, Carbon Mechanical Seal, Ceramic Backplate O-Ring, 2-375 Bolt Washer	All	1 1 1 1 6 6	\$79.20
3	R0479601	Impeller, FHP Screw w/ O-Ring Backplate O-Ring	0.75	1 1 1	\$32.55
3	R0479602	Impeller, FHP Screw w/ O-Ring Backplate O-Ring	1.0 1.0-2	1 1 1	\$32.55
3	R0479603	Impeller, FHP Screw w/ O-Ring Backplate O-Ring	1.5 1.5-2	1 1 1	\$32.55
3	R0479604	Impeller, FHP Screw w/ O-Ring Backplate O-Ring	2.0 2.0-2	1 1 1	\$32.55
3	R0479605	Impeller, FHP Screw w/ O-Ring Backplate O-Ring	2.5	1 1 1	\$32.55

Key No.	Part No.	Description	Size (HP)	Qty.	List Price
4	R0479702	Diffuser, FHP Diffuser O-Ring Backplate O-Ring Screw	.75 1.0 1.0- 2	1 1 1 2	\$30.69
4	R0479701	Diffuser, FHP Diffuser O-Ring Backplate O-Ring Screw	1.5 1.5-2 2.0 2.0-2 2.5	1 1 1 1 2	\$30.69
5	R0479400	Mechanical Seal, Carbon Mechanical Seal, Ceramic	All	1 1	\$14.25
6	R0479800	Pump Body, FHP	All	1	\$144.64
7	R0479900	Motor Mounting Foot, FHP	All	1	\$14.87
8	R0480000	Lid w/ Locking Ring Assy, FHP Lid O-Ring	All	1 1	\$47.84
9	R0480100	Pump Debris Trap Basket, FHP	All	1	\$19.40
10	R0446000	Drain Plug Drain Plug O-Ring	All	2 2	\$18.55
11	R0327301	2" x 2" Tailpiece Tailpiece O-Ring Union Nut Kit	All	2 2 2	\$17.24
12	R0480200	Lid O-Ring, FHP	All	1	\$7.24
13	R0480300	Backplate O-Ring, FHP	All	1	\$6.59
14	R0480400	Diffuser Backplate O-Ring, 2-375 Screw w/ O-Ring Screw 4-40 x 1.375"	All	1 1 1 2	\$19.59
15	R0480500	Backplate O-Ring Bolt, 3/8 x 16 x 2.25" Washer	All	1 6 6	\$28.56
16	R0446700	Bolt, 3/8 x 16 x 1" Washer	All	4 4	\$20.84
17	R0337601	Tailpiece O-Ring	All	2	\$4.97
18	R0486700	Pump Base Kit	All	1	\$24.94
19	R0515400	Screw w/ O-Ring, Self-sealing	All	1	\$5.95

## FloPro™ (FHPM) Series Pump



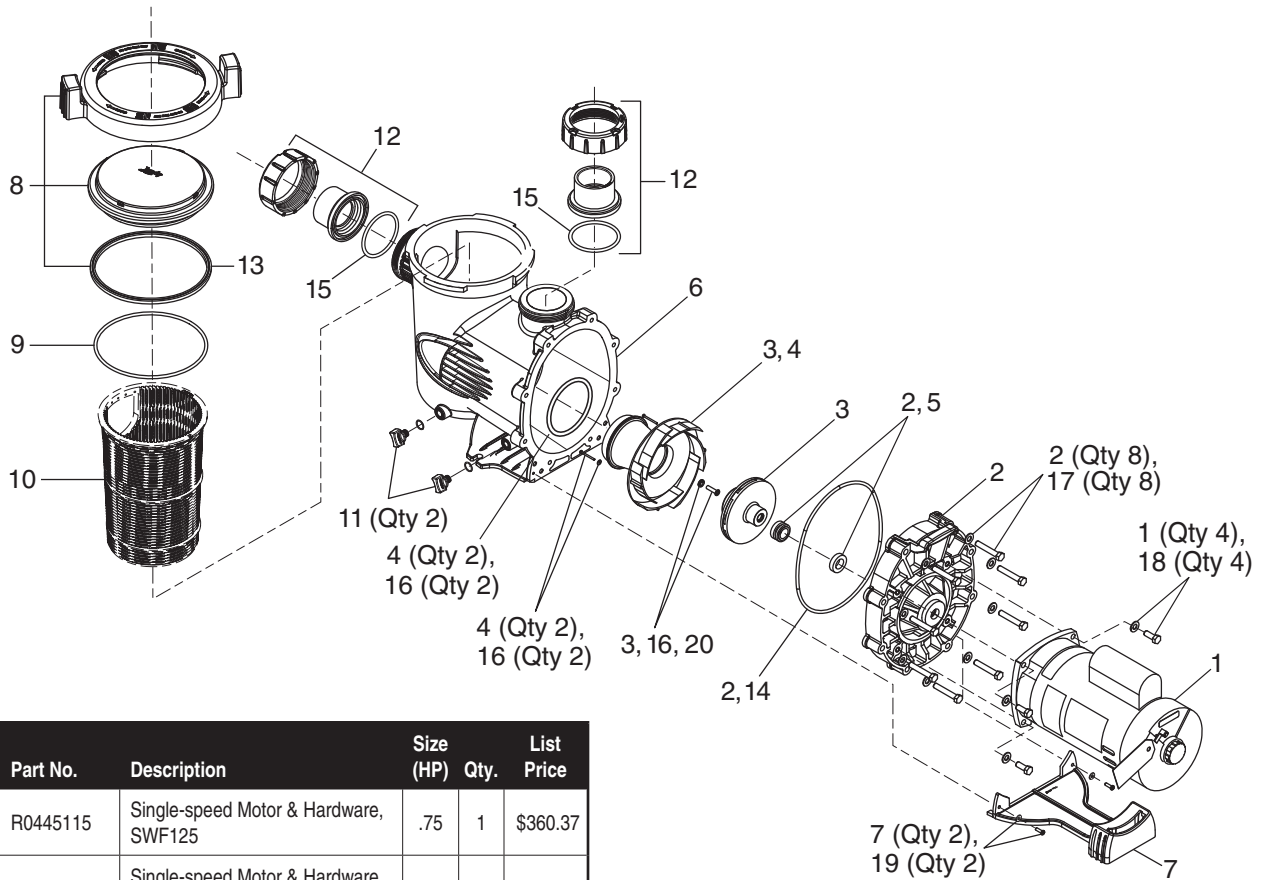
## WaterFeature (WFTR) Series Pump



Key No.	Part No.	Description	Size (HP)	Qty.	List Price
1	R0479311	Motor, single-speed and Hardware, WFTR80	1.0	1	\$441.46
1	R0479312	Motor, single-speed and Hardware, WFTR120	1.5	1	\$493.77
1	R0479314	Motor, single-speed and Hardware, WFTR160	2.5	1	\$711.17
2	R0445200	Backplate, WFTR Mechanical Seal, Carbon Mechanical Seal, Ceramic O-Ring Bolts Washers	All	1 1 1 8 8	\$136.41
3	R0449502	Impeller & Diffuser w/ Screw & O-Ring, WFTR	1.0	1	\$40.02
3	R0449503	Impeller & Diffuser w/ Screw & O-Ring, WFTR	1.5	1	\$36.15
3	R0449505	Impeller & Diffuser w/ Screw & O-Ring, WFTR	2.5	1	\$36.95
4	R0445400	Diffuser Screw Washer O-Ring	All	1 2 2 2	\$39.64
5	R0479400	Mechanical Seal, Carbon Mechanical Seal, Ceramic	All	1 1	\$14.25
6	R0448701	Body, Pump, WFTR	All	1	\$203.94
7	R0445700	Motor Mounting Foot Assy, WFTR Screws	All	1 2	\$32.39
8	R0448800	Locking Ring Lid O-Ring	All	1 1 1	\$34.25
9	R0448900	Filter Basket	All	1	\$13.03
10	R0446000	Plug, Drain O-Ring	All	2 2	\$18.55

Key No.	Part No.	Description	Size (HP)	Qty.	List Price
11	R0449000	Tailpiece (2" x 2½") Coupling Nut O-Ring	All	2 2 2	\$35.98
12	R0449100	Lid Seal w/ O-Ring (Lid O-ring Not Shown)	All	1	\$12.72
13	R0446300	O-Ring, Backplate	All	1	\$12.80
14	R0449200	O-Ring, Tailpiece	All	2	\$14.29
15	R0446500	Diffuser/Impeller Hardware Screw w/ O-Ring, Self-sealing, Impeller Mounting Screw, Diffuser Mounting Washer, Diffuser Mounting O-Ring, Diffuser	All	1 2 2 2	\$18.81
16	R0446600	Backplate Hardware Bolts Washers	All	8 8 8	\$41.69
17	R0446700	Motor Hardware Bolts Washers	All	4 4	\$20.84
18	R0446800	Screws, Motor Mounting Foot		2	\$14.87
19	R0515400	Screw w/ O-Ring, Self-sealing	All	1	\$5.95

## WaterFall (SWF) Series Pump



Key No.	Part No.	Description	Size (HP)	Qty.	List Price
1	R0445115	Single-speed Motor & Hardware, SWF125	.75	1	\$360.37
1	R0445116	Single-speed Motor & Hardware, SWF185	1.0	1	\$432.57
2	R0445200	Backplate Kit w/ Hardware, O-Ring & Mech Seals, SHPF/SHPM/SWF	All	1	\$136.41
3	R0445307	Impeller & Diffuser w/ Screw & O-Ring, SWF 125	.75	1	\$55.85
3	R0445308	Impeller & Diffuser w/ Screw & O-Ring, SWF 185	1.0	1	\$55.85
4	R0445401	Diffuser w/ O-Ring & Hardware, SWF125, SWF185, SHPF	All	1	\$39.64
5	R0479400	Mechanical Shaft Seal (1 Set) (Carbon and Ceramic)	All	1	\$14.25
6	R0445601	Body, Pump, SHPF/SHPM/SWF	All	1	\$241.65
7	R0445700	Motor Mounting Foot Assy w/ Screws, SHPF/SHPM/SWF	All	1	\$32.39
8	R0445800	Lid w/ Locking Ring & Seal	All	1	\$64.16
9	R0479000	Blue Pressure Test O-Ring	All	1	\$9.67
10	R0445900	Pump Debris Filter Basket	All	1	\$18.35
11	R0446000	Drain Plug w/ O-Ring (Set of 2)	All	2	\$18.55
12	R0446102	Tail Piece (2½" x 3") w/ O-Ring and Coupling Nut (Set of 2)	All	2	\$75.02

Key No.	Part No.	Description	Size (HP)	Qty.	List Price
13	R0446200	Lid Seal and Lid O-Ring (Lid O-Ring Not Shown)	All	1	\$20.94
14	R0446300	O-Ring, Backplate	All	1	\$12.80
15	R0446400	O-Ring, Tail Piece (Set of 2)	All	2	\$16.94
16	R0446500	Hardware, Diffuser/Impeller	All	1	\$18.81
17	R0446600	Backplate Bolts and Washers (Set of 8)	All	8	\$41.69
18	R0446700	Motor Bolts and Washers (Set of 4)	All	4	\$20.84
19	R0446800	Screws, Motor Mounting Foot	All	1	\$14.87
20	R0515400	Screw w/ O-Ring, Self-sealing	All	1	\$5.95