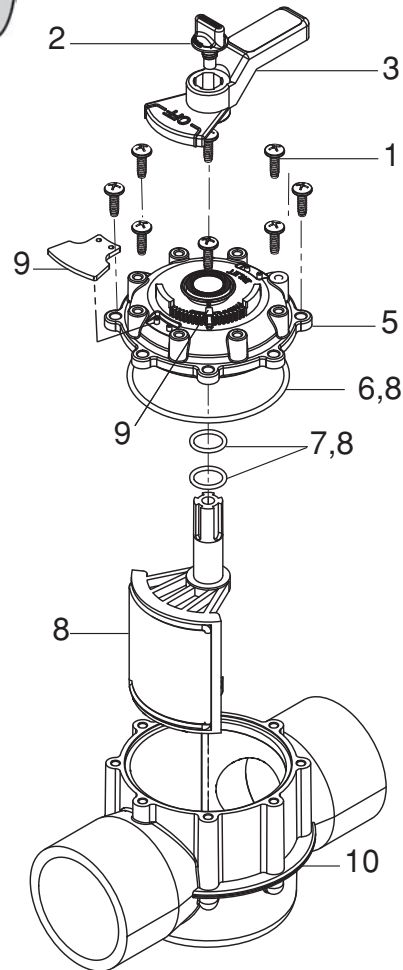


Never Lube® Jandy® Valve, Diverter (2½" x 3" 3-Port)

Part# 4719

Key No.	Part No.	Description	List Price
1	1298	Screw, #14 x ¾" (Use #R0454600)	\$21.85
2	4603	Knob, Valve Handle	\$8.99
3	4733	Handle, Never Lube Valve	\$17.99
4	R0466100	Lid, 3-Port, 2½" x 3" Never Lube	\$22.19
6	R0465700	O-Ring #2-154, Cover	\$11.42
7	R0487100	O-Ring #2-116, Shaft	\$16.98
8	R0465800	Never Lube Diverter 2½" x 3"	\$79.06
9	R0465900	Placard (Set of 8) & Index Tab	\$38.63
10	N/A	*Housing, 2½" x 3", 3-Port, Black	—

*Order complete valve N/A - Not Available



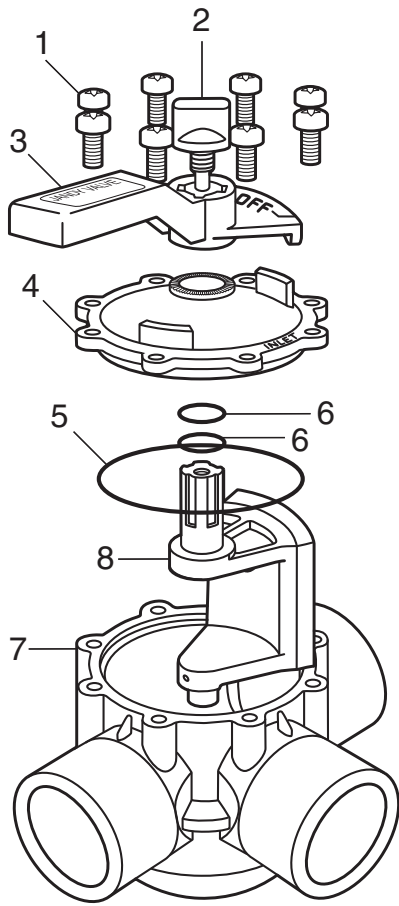
Never Lube Jandy Valve, Diverter, (2½" x 3" 2-Port)

Part# 4718

Key No.	Part No.	Description	List Price
1	1298	Screw, #14 x ¾" (Use #R0454600)	\$21.85
2	4603	Knob, Valve Handle	\$8.99
3	4733	Handle, Never Lube Valve	\$17.99
4	R0468600	Lid, 2-Port, 2½" x 3", Never Lube	\$22.19
6	R0465700	O-Ring #2-154, Cover	\$11.42
7	R0487100	O-Ring #2-116, Shaft	\$16.98
8	R0465800	Never Lube Diverter 2½" x 3"	\$79.06
9	R0465900	Placard (Set of 8) & Index Tab	\$38.63
10	N/A	*Housing, 2½" x 3", 2-Port, Black	—

*Order complete valve N/A - Not Available





Never Lube® Jandy® Valve, Diverter (1½"–2" / 2"–2½" 3-Port)

Part# 4715, 4717

Key No.	Part No.	Description	List Price
1	1298	Screw #14 x ¾" Valve Housing (Use #R0454600)	\$21.85
2	4603	Knob, ABS, Black	\$8.99
3	4733	Handle Never Lube, Black	\$17.99
4	4606	Cover, 3 Port, Black	\$17.99
5	1132	O-Ring, -151, Valve Cover	\$4.73
6	R0487100	O-Ring, -116, Valve Shaft	\$16.98
7	N/A	*Housing, 1½"–2", 3-Port, Black	—
or	N/A	*Housing, 2"–2½", 3-Port, Black	—
8	4720	Never Lube Diverter Kit	\$55.00

*Order complete valve N/A-Not Available

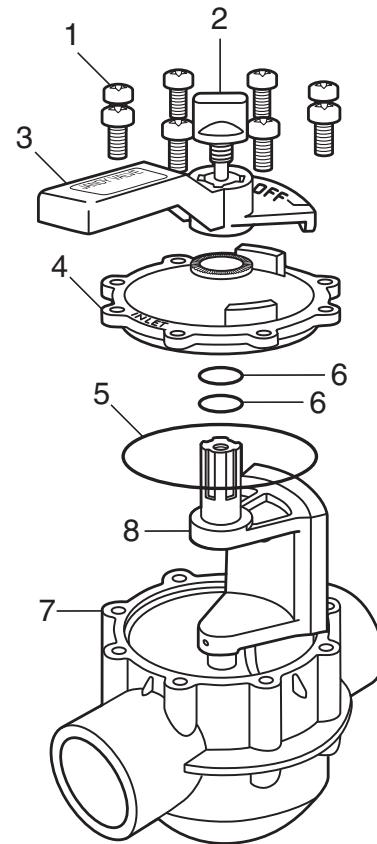


Never Lube Jandy Valve, Diverter (1½"–2" / 2"–2½" 3-Port)

Part# 4724, 4716

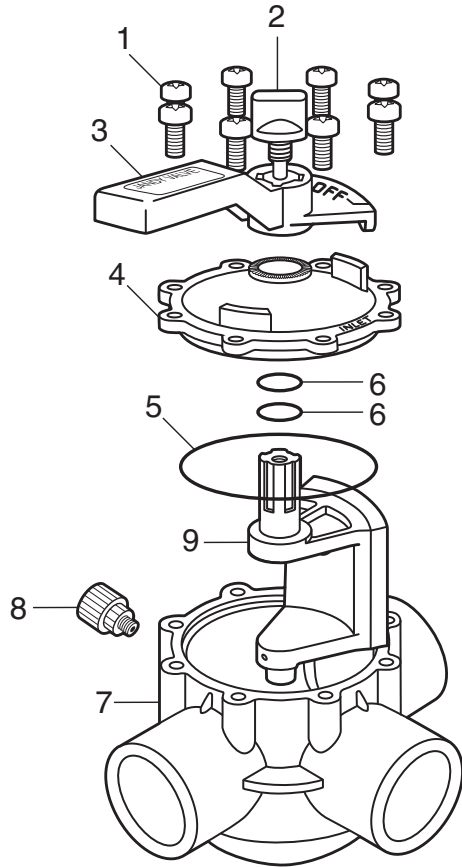
Key No.	Part No.	Description	List Price
1	1298	Screw #14 x ¾" Valve Housing (Use #R0454600)	\$21.85
2	4603	Knob, ABS, Black	\$8.99
3	4733	Handle Never Lube, Black	\$17.99
4	4734	Cover, 2 Port, Black	\$17.99
5	1132	O-Ring, -151, Valve Cover	\$4.73
6	R0487100	O-Ring, -116, Valve Shaft	\$16.98
7	N/A	*Housing, 1½"–2", 2-Port, Black	—
or	N/A	*Housing, 2"–2½", 2-Port, Black	—
8	4720	Never Lube Diverter Kit	\$55.00

*Order complete valve N/A-Not Available



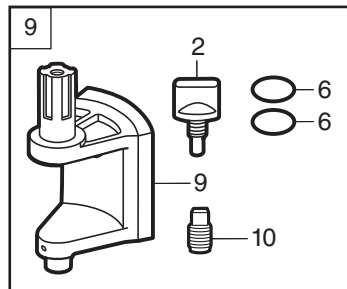
Gray Jandy® Valve (3-Port)

Part# 1154, 2875

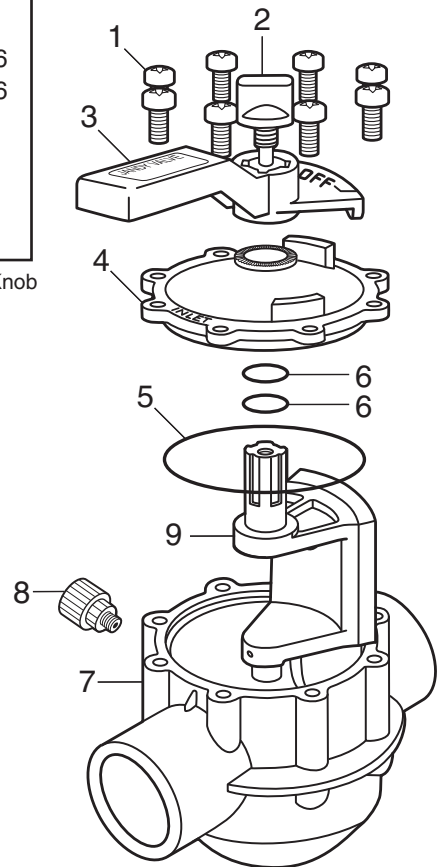


Key No.	Part No.	Description	
1	1298	Screw #14 x 3/4" Valve Housing (Use #R0454600)	\$21.85
2	3042	Knob, ABS	\$8.99
3	1301	Handle, Gray	\$17.99
4	1303	Cover, 3-Port	\$17.99
5	1132	O-Ring, -151, Valve Cover	\$4.73
6	R0487100	O-Ring, -116, Valve Shaft	\$16.98
7	N/A	*Housing, 1 1/2" - 2", 3-Port	—
or	N/A	*Housing, 2" - 2 1/2", 3-Port	—
8	2133	Grease Cup Kit	\$13.72
9	4720	Never Lube® Diverter Kit (Positive Seal)	\$55.00
or	3045	Diverter Assy. w/ Knob, Non-positive Seal (Gray Valve, Grease Type)	\$25.70
10	5009	Pipe Plug P-18	\$2.57
N/S	4269	Lube Kit	\$36.00

*Order complete valve N/A-Not Available N/S-Not Shown



Diverter Assembly Complete w/ Knob (NEVER LUBE part # 4720 and Non-Positive part # 3045)



Jandy Never Lube 2-Port and Gray Valve

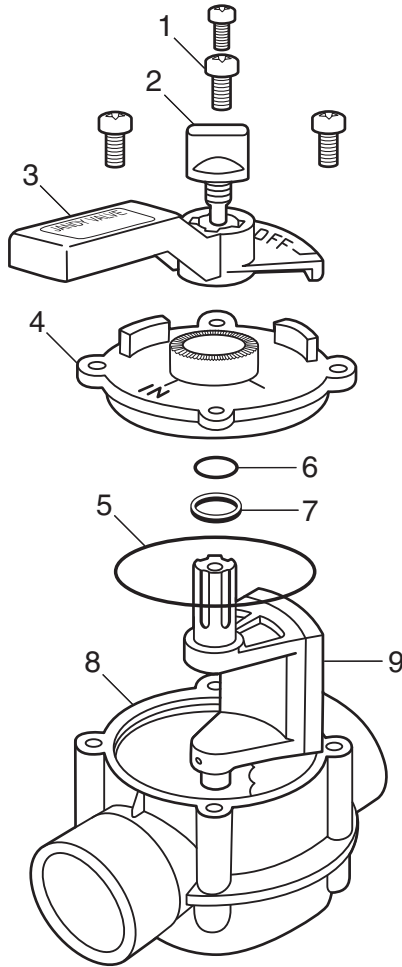
Part# 1157, 2876

Key No.	Part No.	Description	
1	1298	Screw #14 x 3/4" Valve Housing (Use #R0454600)	\$21.85
2	3042	Knob, ABS	\$8.99
3	1301	Handle, Gray	\$17.99
4	1304	Cover, 2-Port	\$17.99
5	1132	O-Ring, -151, Valve Cover	\$4.73
6	R0487100	O-Ring, -116, Valve Shaft	\$16.98
7	N/A	*Housing, 1 1/2" - 2", 2-Port	—
or	N/A	*Housing, 2" - 2 1/2", 2-Port	—
8	2133	Grease Cup Kit	\$13.72
9	4720	Never Lube Diverter Kit (Positive Seal)	\$55.00
or	3045	Gray Valve Diverter Kit w/ Knob, Non-positive Seal (Gray Valve, Grease Type)	\$25.70
10	5009	Pipe Plug P-18	\$2.57
N/S	4269	Lube Kit	\$36.00

*Order complete valve N/A-Not Available N/S-Not Shown

Space Saver Jandy® Valve, Diverter (1½"–2" 3-Port)

Part# 3406



Key No.	Part No.	Description	List Price
1	1298	Screw #14 x ¾" Valve Housing (Use #R0454600)	\$21.85
2	3042	Knob, ABS	\$8.99
3	3500	Space Saver Handle	\$17.99
4	3490	Cover, 3 Port	\$17.99
5	6749	O-ring, SSV -143	\$2.43
6	R0487100	O-ring, -116, Valve Shaft	\$16.98
7	3457	Diverter Seal Ring	\$2.15
8	N/A	*Space Saver Valve Housing, 3-Port (not shown)	—
9	3483	Diverter Assy Complete w/ Knob, Positive Seal	\$26.99
or	3484	Diverter Assy Complete w/ Knob, Non-positive Seal	\$22.70

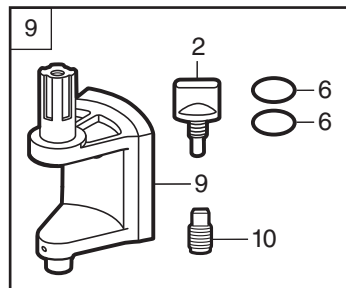
*Order complete valve N/A-Not Available

Space Saver Jandy Valve, Diverter (1½"–2" 2-Port)

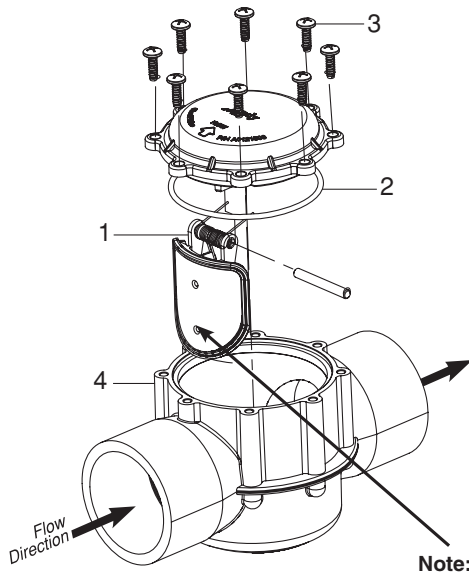
Part# 3407

Key No.	Part No.	Description	List Price
1	1298	Screw #14 x ¾" Valve Housing (Use #R0454600)	\$21.85
2	3042	Knob, ABS	\$8.99
3	3500	Space Saver Handle	\$17.99
4	3426	Cover, 2-Port	\$17.99
5	6749	O-Ring, SSV -143	\$2.43
6	R0487100	O-Ring, -116, Valve Shaft	\$16.98
7	3457	Diverter Seal Ring	\$2.15
8	N/A	*Space Saver Valve Housing, 2-Port	—
9	3483	Diverter Assy Complete w/ Knob, Positive Seal	\$26.99
or	3484	Diverter Assy Complete w/ Knob, Non-positive Seal	\$22.70

*Order complete valve N/A-Not Available

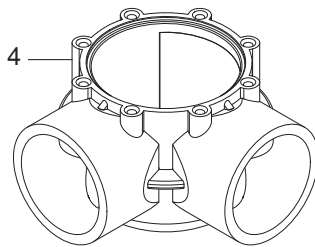


Diverter Assembly Complete w/ Knob
(NEVER LUBE® part # 3483 and
Non-Positive part # 3484)



180° Valve Housing

OR



90° Valve Housing

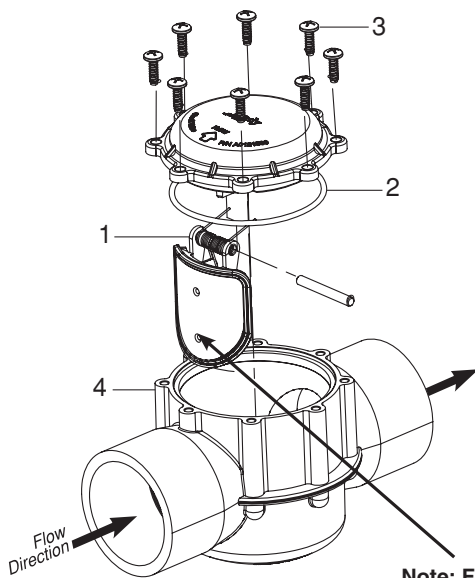
Spring Check Jandy® Valve (1½"–2"/2–2½")

Part# 7235, 7305, 7511, 7512

Key No.	Part No.	Description	List Price
1	7056	Cover w/ Flapper Assy, including Flapper Assy, Pin, Cover Spring and O-ring	\$41.23
2	1132	O-Ring, -151, Valve Cover	\$4.73
3	1298	Screw, #14 x ¾", Valve Housing (Use #R0454600)	\$21.85
4	N/A	*Housing, 1½" – 2", 2-Port (Black)	—
4	N/A	*Housing, 2" – 2½", 3-Port	—
4	N/A	*Housing, 90°, 1½" – 2"	—
4	N/A	*Housing, 90°, 2" – 2½"	—

*Order complete valve N/A - Not Available

Note: For Replacement—Before installing, make certain that the seal is not displaced from the flapper.



Spring Check Jandy Valve (2½"–3")

Part# 7307

Key No.	Part No.	Description	List Price
1	R0466000	Cover w/ Flapper Assy, including Flapper Assy, Pin, Cover Spring and O-Ring	\$65.79
2	1132	O-Ring, -151, Valve Cover	\$4.73
3	1298	Screw, #14 x ¾", Valve Housing (Use #R0454600)	\$21.85
4	N/A	*Housing, 2½" - 3", 2-Port (Black)	—

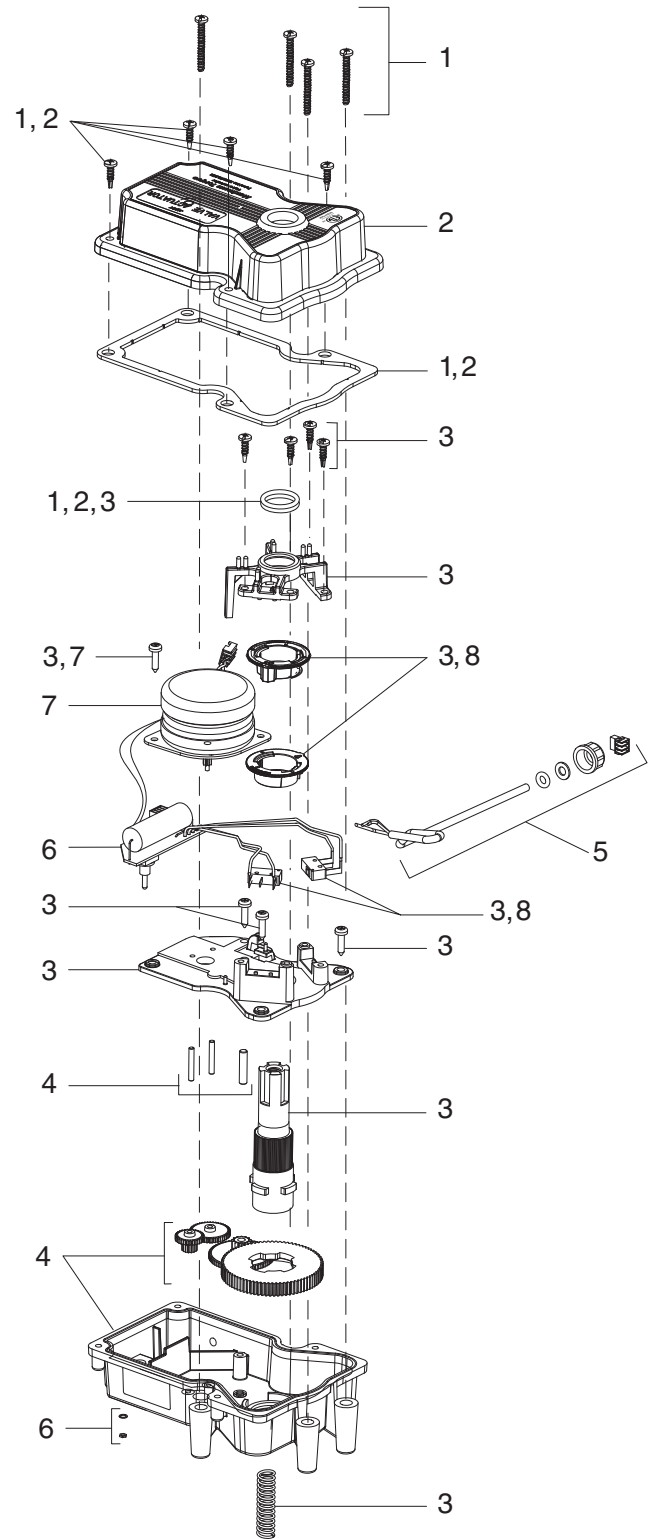
*Order complete valve N/A - Not Available

Note: For Replacement—Before installing, make certain that the seal is not displaced from the flapper.

Jandy® Valve Actuators

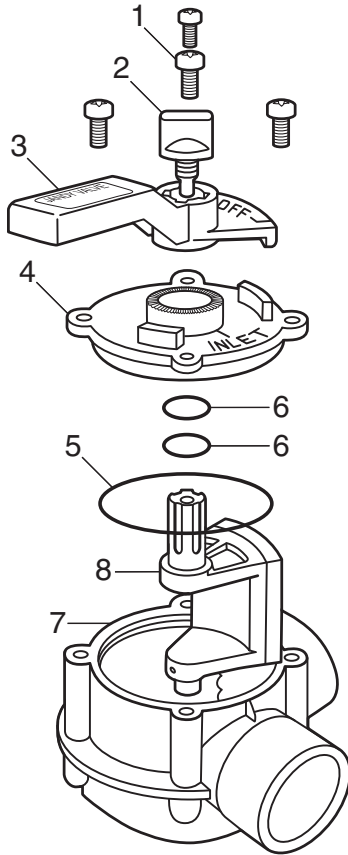
Part# 4424

Key No.	Part No.	Description	Qty.	List Price
1	R0409600	JVA Gasket and Screw Kit		\$8.95
		Gasket	1	
		O-Ring	2	
		Screw, #14 x 2"	4	
		Screw, #8 x 5/8"	4	
2	R0411500	Top Housing Kit		\$23.73
		Gasket	1	
		O-Ring	2	
		Screw, #8 x 5/8"	4	
		Housing, Top	1	
3	R0408700	Center Plate Kit		\$22.17
		O-Ring	2	
		Screw, #8 x 5/8"	8	
		Bridge	1	
		Top Cam (Clear)	1	
		Bottom Cam (Textured)	1	
		Microswitch	2	
		Center Plate	1	
		Output Shaft, Threaded	1	
		Spring, JVA	1	
4	R0411600	Gear Kit		\$13.50
		Primary Gear	1	
		Secondary Gear	1	
		Large Pinion Gear	1	
		Output Gear	1	
5	R0411800	Cable Kit, 20'		\$40.51
		O-Ring, Strain Relief	1	
		Washer, Strain Relief	1	
		Cap, Strain Relief	1	
		Power Cord, 20' w/ 3-pin Connector	1	
5	R0411900	Cable Kit, 75'		\$93.80
		O-Ring, Strain Relief	1	
		Washer, Strain Relief	1	
		Cap, Strain Relief	1	
		Power Cord, 75' w/ 3-pin Connector	1	
6	R0441700	PCB w/ Toggle Switch Kit		\$35.76
		PCB Sub-Assy, 24V w/ PCB, w/ Toggle Switch, Lock-washer and Nut	1	
7	R0408500	Motor Kit		\$209.78
		Screw, #8 x 5/8" Motor 24V, w/ Wire and Connector	1	
8	R0408600	Cam and Microswitch Kit		\$28.61
		Top Cam (Clear)	1	
		Bottom Cam (Textured)	1	
n/s	R0553300	Microswitch	1	\$35.67
		Shaft and Gear Kit	1	



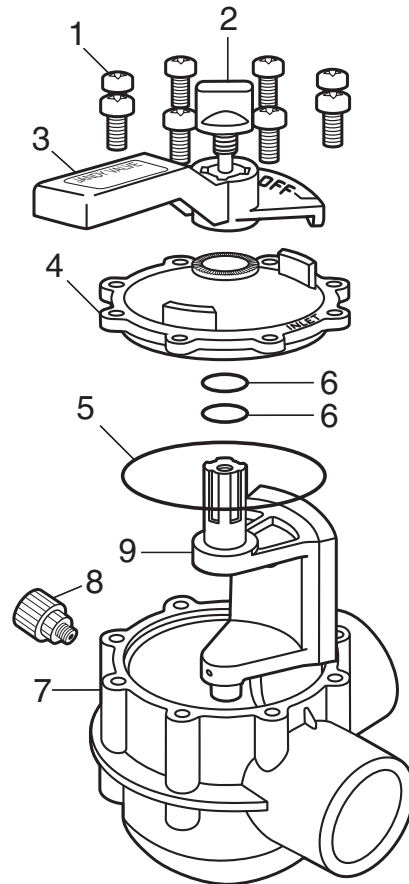
Space Saver Jandy® Valve (1½"– 2") (Discontinued)

Part# 4371



Key No.	Part No.	Description	List Price
1	1298	Screw #14 x ¾" Valve Housing (Use #R0454600)	\$21.85
2	3042	Knob, ABS	\$8.99
3	3500	Space Saver Handle	\$17.99
4	3426	Cover, 2-Port	\$17.99
5	6749	O-Ring, SSV -143	\$2.43
6	R0487100	O-Ring, -116, Valve Shaft	\$16.98
7	3457	Diverter Seal Ring	\$2.15
8	N/A	*Space Saver Valve Housing, 2-Port	—
9	3483	Diverter Assy Complete w/ Knob, Positive Seal	\$26.99
or	3484	Diverter Assy Complete w/ Knob, Non-positive Seal	\$22.70

*Note: Order complete valve N/A - Not Available



Jandy 90° Valve (Discontinued)

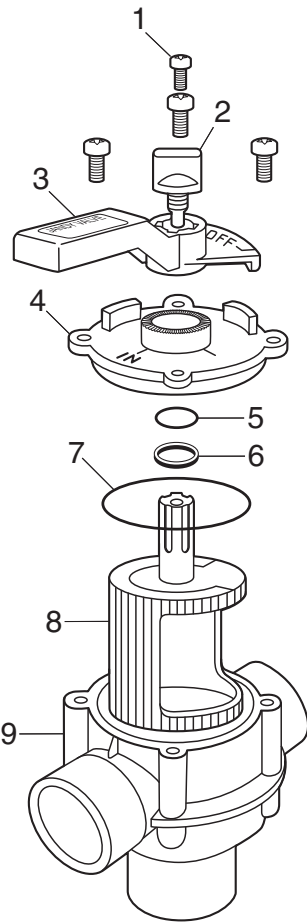
Part# 4367, 4369

Key No.	Part No.	Description	List Price
1	1298	Screw #14 x ¾" Valve Housing (Use #R0454600)	\$21.85
2	3042	Knob, ABS	\$8.99
3	1301	Space Saver Handle	\$17.99
4	1303	Cover, 3-Port	\$17.99
5	1132	O-Ring, -151, Valve Cover	\$4.73
6	R0487100	O-Ring, -116, Valve Shaft	\$16.98
7	N/A	*Housing, 90°, 1½"– 2"	—
7	N/A	*Housing, 90°, 2"– 2½"	—
8	2133	Grease Cup	\$13.72
9	4720	Never Lube® Diverter Kit	\$55.00

*Note: Order complete valve N/A - Not Available

Jandy® 3-Port “T” Space Saver Valve (Discontinued)

Part# 3656



Key No.	Part No.	Description	List Price
1	1298	Screw #14 x 3/4" Valve Housing (Use #R0454600)	\$21.85
2	3042	Knob, ABS	\$8.99
3	3500	Space Saver Handle	\$17.99
4	3546	Cover, 4-Port "T"	\$17.99
5	R0487100	O-Ring, -116 Valve Shaft	\$16.98
6	3457	Diverter Seal Ring	\$2.15
7	6749	O-Ring, -143, Space Saver Valve	\$2.43
8	N/A	Diverter, 3-Port & 4-Port Double	—
9	N/A	Housing, 3-Port "T"	—

N/A - Not Available

Jandy 4-Port Space Saver Spa Valve (Discontinued)

Part# 3550, 3551

Key No.	Part No.	Description	List Price
1	N/A	Decorator Handle	—
2	N/A	Spa Knob Extension Shaft, 30"	—
3	1298	Screw #14 x 3/4", Valve Housing (Use #R0454600)	\$21.85
4	3546	Cover, 4-Port "T"	\$17.99
5	R0487100	O-Ring, -116 Valve Shaft	\$16.98
6	3457	Diverter Seal Ring	\$2.15
7	6749	O-Ring, -143, Space Saver Valve	\$2.43
8	N/A	Diverter, 4-Port Single	—
or	N/A	Diverter, 3-Port & 4-Port Double	—
9	N/A	Housing, 4-Port	—

N/A - Not Available

